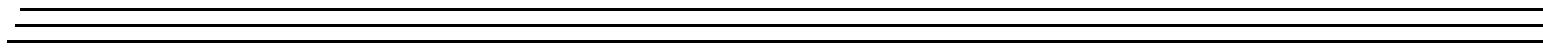
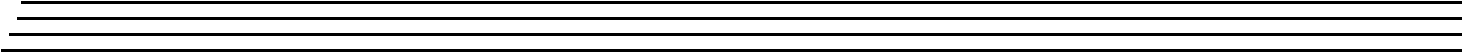
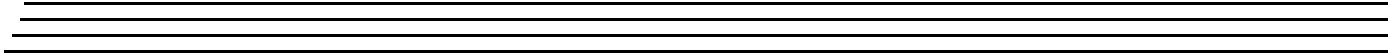


# ***DATA TRANSLATION***

*UM-23782-B*

## ***DT9824*** ***User's Manual***



**Second Edition**  
**May, 2010**

**Copyright © 2010 by Data Translation, Inc.**  
All rights reserved.

Information furnished by Data Translation, Inc. is believed to be accurate and reliable; however, no responsibility is assumed by Data Translation, Inc. for its use; nor for any infringements of patents or other rights of third parties which may result from its use. No license is granted by implication or otherwise under any patent rights of Data Translation, Inc.

Use, duplication, or disclosure by the United States Government is subject to restrictions as set forth in subparagraph (c)(1)(ii) of the Rights in Technical Data and Computer software clause at 48 C.F.R, 252.227-7013, or in subparagraph (c)(2) of the Commercial Computer Software - Registered Rights clause at 48 C.F.R., 52-227-19 as applicable. Data Translation, Inc., 100 Locke Drive, Marlboro, MA 01752.

Data Translation, Inc.  
100 Locke Drive  
Marlboro, MA 01752-1192  
(508) 481-3700  
[www.datatranslation.com](http://www.datatranslation.com)  
Fax: (508) 481-8620  
E-mail: [info@datx.com](mailto:info@datx.com)

Data Translation® is a registered trademark of Data Translation, Inc. Measure Foundry™, ISO-Channel™, DT-Open Layers™, DT-Open Layers for .NET Class Library™, DataAcq SDK™, LV-Link™, and DTx-EZ™ are trademarks of Data Translation, Inc.

All other brand and product names are trademarks or registered trademarks of their respective companies.

## Radio and Television Interference

This equipment has been tested and found to comply with CISPR EN55022 Class A and EN61000-6-1 requirements and also with the limits for a Class A digital device, pursuant to Part 15 of the FCC Rules. These limits are designed to provide reasonable protection against harmful interference when the equipment is operated in a commercial environment. This equipment generates, uses, and can radiate radio frequency energy and, if not installed and used in accordance with the instruction manual, may cause harmful interference to radio communications. Operation of this equipment in a residential area is likely to cause harmful interference, in which case the user will be required to correct the interference at his own expense.

Changes or modifications to this equipment not expressly approved by Data Translation could void your authority to operate the equipment under Part 15 of the FCC Rules.

---

**Note:** This product was verified to meet FCC requirements under test conditions that included use of shielded cables and connectors between system components. It is important that you use shielded cables and connectors to reduce the possibility of causing interference to radio, television, and other electronic devices.

---

## Canadian Department of Communications Statement

This digital apparatus does not exceed the Class A limits for radio noise emissions from digital apparatus set out in the Radio Interference Regulations of the Canadian Department of Communications.

Le présent appareil numérique n'émet pas de bruits radioélectriques dépassant les limites applicables aux appareils numériques de la class A prescrites dans le Règlement sur le brouillage radioélectrique édicté par le Ministère des Communications du Canada.



---

# Table of Contents

<b>About this Manual</b> .....	<b>9</b>
Intended Audience.....	9
How this Manual is Organized .....	9
Conventions Used in this Manual .....	10
Related Information.....	10
Where To Get Help.....	11
<b>Chapter 1: Overview</b> .....	<b>13</b>
Features .....	14
Supported Software .....	15
Accessories .....	16
Getting Started Procedure.....	17
<b>Part 1: Getting Started</b> .....	<b>19</b>
<b>Chapter 2: Installing the Module</b> .....	<b>21</b>
Unpacking .....	23
Attaching Modules to the Computer.....	24
Connecting Directly to the Host Computer .....	24
Connecting to a Self-Powered USB Hub .....	25
Configuring the Driver .....	27
<b>Chapter 3: Wiring Signals</b> .....	<b>29</b>
Preparing to Wire Signals .....	31
Connecting Analog Input Signals .....	32
Connecting Digital I/O Signals .....	33
Connecting Digital Input Signals .....	34
Connecting Digital Output Signals.....	35
<b>Chapter 4: Verifying the Operation of the Module</b> .....	<b>37</b>
Running the Quick DataAcq Application .....	39
Testing Single-Value Analog Input .....	40
Testing Continuous Analog Input .....	41
Testing Single-Value Digital Input .....	42
Testing Single-Value Digital Output .....	43

<b>Part 2: Using Your Module</b> .....	<b>45</b>
<b>Chapter 5: Principles of Operation</b> .....	<b>47</b>
Analog Input Features .....	49
Analog Input Channels .....	49
Specifying a Single Analog Input Channel .....	49
Specifying One or More Analog Input Channels .....	49
Specifying the Digital Input Port in the Analog Input Channel List .....	50
Input Resolution .....	50
Input Ranges and Gains .....	50
A/D Sample Clock .....	50
Triggers .....	51
Analog Input Conversion Modes .....	51
Data Format .....	52
Data Transfer .....	53
Error Conditions .....	53
Digital I/O Features .....	54
Digital Input Lines .....	54
Digital Output Lines .....	54
Channel-to-Channel Isolation .....	55
Resolution .....	55
Operation Modes .....	55
<b>Chapter 6: Supported Device Driver Capabilities</b> .....	<b>57</b>
Data Flow and Operation Options .....	59
Buffering .....	60
Triggered Scan Mode .....	60
Data Encoding .....	60
Channels .....	61
Gain .....	61
Ranges .....	62
Resolution .....	62
Thermocouple and RTD Support .....	63
IEPE Support .....	63
Triggers .....	64
Clocks .....	64
Counter/Timers .....	65
<b>Chapter 7: Calibration</b> .....	<b>67</b>
Overview .....	68
Using the Auto-Calibration Procedure .....	69
Using the Manual Calibration Procedure .....	70

---

<b>Chapter 8: Troubleshooting</b> .....	<b>73</b>
General Checklist .....	74
Technical Support .....	76
If Your Module Needs Factory Service .....	77
<b>Appendix A: Specifications</b> .....	<b>79</b>
Analog Input Specifications .....	80
Digital I/O Specifications .....	83
Power, Physical, and Environmental Specifications .....	84
Regulatory Specifications .....	85
Connector Specifications .....	86
<b>Appendix B: Connector Pin Assignments</b> .....	<b>87</b>
Analog Input Screw Terminals .....	88
Digital I/O Connector .....	89
USB Connector .....	90
<b>Index</b> .....	<b>91</b>



# About this Manual

This manual describes how to install and set up your DT9824 module and device driver, and verify that your module is working properly.

This manual also describes the features of the DT9824 module, the capabilities of the device driver, and how to program the DT9824 module using the DT-Open Layers for .NET Class Library™ software. Troubleshooting and calibration information is also provided.

---

**Note:** For information on checking system requirements, installing the software, and viewing the documentation, refer to the README file on the OMNI CD.

For more information on the class library, refer to the *DT-Open Layers for .NET Class Library User's Manual*. If you are using the DataAcq SDK or a software application to program your device, refer to the documentation for that software for more information.

---

## Intended Audience

This document is intended for engineers, scientists, technicians, or others responsible for using and/or programming the DT9824 module for data acquisition operations in the Microsoft® Windows® Windows XP, Windows Vista®, or Windows 7 operating systems. It is assumed that you have some familiarity with data acquisition principles and that you understand your application.

## How this Manual is Organized

This manual is organized as follows:

- [Chapter 1, “Overview,”](#) describes the major features of the DT9824 module, as well as the supported software and accessories for the module, and provides an overview of the getting started procedure.
- [Chapter 2, “Installing the Module,”](#) describes how to install the DT9824 module and configure the device driver.
- [Chapter 3, “Wiring Signals,”](#) describes how to wire signals to a DT9824 module.
- [Chapter 4, “Verifying the Operation of the Module,”](#) describes how to verify the operation of a DT9824 module with the Quick DataAcq application.
- [Chapter 5, “Principles of Operation,”](#) describes all of the features of the module and how to use them in your application.
- [Chapter 6, “Supported Device Driver Capabilities,”](#) lists the data acquisition subsystems and the associated features accessible using the DT9824 Device Driver.
- [Chapter 7, “Calibration,”](#) describes how to calibrate the analog input circuitry of the DT9824 module.

- [Chapter 8, “Troubleshooting,”](#) provides information that you can use to resolve problems with the module and the device driver, should they occur.
- [Appendix A, “Specifications,”](#) lists the specifications of the DT9824 module.
- [Appendix B, “Connector Pin Assignments,”](#) shows the pin assignments for the connectors and the screw terminal assignments for the DT9824 module.
- An index completes this manual.

## Conventions Used in this Manual

The following conventions are used in this manual:

- Notes provide useful information or information that requires special emphasis, cautions provide information to help you avoid losing data or damaging your equipment, and warnings provide information to help you avoid catastrophic damage to yourself or your equipment.
- Items that you select or type are shown in **bold**.

## Related Information

Refer to the following documents for more information on using the DT9824 module:

- *Benefits of the Universal Serial Bus for Data Acquisition*. This white paper describes why USB is an attractive alternative for data acquisition. It is available on the Data Translation web site ([www.datatranslation.com](http://www.datatranslation.com)).
- *Measure Foundry Manual* (UM-19298) and online help. These documents describe how to use Measure Foundry™ to build drag-and-drop test and measurement applications for Data Translation® data acquisition devices without programming.
- *DT-Open Layers for .NET User’s Manual* (UM-22161). For programmers who are developing their own application programs using Visual C# or Visual Basic .NET, this manual describes how to use the DT-Open Layers for .NET Class Library to access the capabilities of Data Translation data acquisition devices.
- *DataAcq SDK User’s Manual* (UM-18326). For programmers who are developing their own application programs using the Microsoft C compiler, this manual describes how to use the DT-Open Layers DataAcq SDK™ to access the capabilities of Data Translation data acquisition devices.
- *DTx-EZ Getting Started Manual* (UM-15428). This manual describes how to use the ActiveX controls provided in DTx-EZ™ to access the capabilities of Data Translation data acquisition devices in Microsoft Visual Basic® or Visual C++®.
- *LV-Link Online Help*. This help file describes how to use LV-Link™ with the LabVIEW™ graphical programming language to access the capabilities of Data Translation data acquisition devices.

## **Where To Get Help**

Should you run into problems installing or using a DT9824 module, the Data Translation Technical Support Department is available to provide technical assistance. Refer to [Chapter 8](#) starting on [page 73](#) for more information. If you are outside the United States or Canada, call your local distributor, whose number is listed on Data Translation's web site ([www.datatranslation.com](http://www.datatranslation.com)).





# ***Overview***

Features .....	14
Supported Software .....	15
Getting Started Procedure .....	17

## Features

The DT9824 is a high-resolution (24-bit) data acquisition module for the Universal Serial Bus (USB).

Most computers have two or more USB ports that allow direct connection to USB devices. You can expand the number of USB devices attached to a single USB port by using expansion hubs. The DT9824 module is part of the high-power, bus-powered USB class; therefore, the module does not require external power, but the expansion hubs do require external power.

The DT9824 module resides outside of the PC and install with a single cable to ease installation. Modules can be “hot swapped,” or plugged and unplugged while the PC is on, making them useful for many data acquisition applications.

The DT9824 module provides the following major features:

- USB compatibility
- ISO-Channel™ protection eliminates noise and ground loops
  - $\pm 500$  V galvanic isolation channel-to-channel for all analog input signals and to the host computer to protect signal integrity
- Four, simultaneous, 24-bit analog input channels
- Sampling frequency of up to 4800 Hz
- Input gains of 1, 8, 16, and 32 with an input range of  $\pm 10$  V to support the following effective ranges:  $\pm 10$  V,  $\pm 1.25$  V,  $\pm 0.625$  V, and  $\pm 0.3125$  V
- Continuously paced analog input operations
- Software-programmable trigger type (software or external digital trigger) to start analog input operations.
- 8 opto-isolated digital input lines
- 8 opto-isolated digital output lines; the outputs are solid-state relays that operate from  $\pm 30$  V at currents up to 400 mA (peak) AC or DC
- Digital I/O galvanically isolated to 250 V when using all digital input lines
- You can read the digital input port through the analog input data stream for correlating analog and digital measurements

## Supported Software

The following software is available for use with the DT9824 module:

- **DT9824 Device Driver** – This software is provided on the Data Acquisition OMNI CD that is shipped with the module. The device driver allows you to use a DT9824 module with any of the supported software packages or utilities.
- **DT9824 Calibration Utility** – This software is provided on the Data Acquisition OMNI CD-ROM. The DT9824 Calibration Utility allows you to calibrate the analog input circuitry of the DT9824 module. Refer to [Chapter 7](#) starting on [page 67](#) for more information on this utility.
- **Quick DataAcq application** – This software is provided on the Data Acquisition OMNI CD that is shipped with the module. The Quick DataAcq application provides a quick way to get up and running using a DT9824 module. Using this application, you can verify key features of the module, display data on the screen, and save data to disk.
- **The quickDAQ application** – An evaluation version of this .NET application is included on the Data Acquisition OMNI CD. quickDAQ lets you acquire analog data from all devices supported by DT-Open Layers for .NET software at high speed, plot it during acquisition, analyze it, and/or save it to disk for later analysis.
- **Measure Foundry** – An evaluation version of this software is included on the Data Acquisition OMNI CD. Measure Foundry is drag-and-drop test and measurement application builder designed to give you top performance with ease-of-use development. Order the full development version of this software package to develop your own application using real hardware.
- **DT-Open Layers for .NET Class Library** – Use this class library if you want to use Visual C# or Visual Basic for .NET to develop your own application software for a DT9824 module using Visual Studio 2003 or Visual Studio 2005; the class library complies with the DT-Open Layers standard.
- **DataAcq SDK** – Use the Data Acq SDK if you want to use Visual Studio 6.0 and Microsoft C or C++ to develop your own application software for a DT9824 module using Windows XP, Windows Vista, or Windows 7; the DataAcq SDK complies with the DT-Open Layers standard.
- **DTx-EZ** – Use this optional software package if you want to use ActiveX controls to access the capabilities of the DT9824 module using Microsoft Visual Basic or Visual C++; DTx-EZ complies with the DT-Open Layers standard.
- **DAQ Adaptor for MATLAB** – Data Translation's DAQ Adaptor provides an interface between the MATLAB Data Acquisition (DAQ) subsystem from The MathWorks and Data Translation's DT-Open Layers architecture.
- **LV-Link** – An evaluation version of LV-Link is included on the Data Acquisition OMNI CD. Use this optional software package if you want to use the LabVIEW graphical programming language to access the capabilities of the DT9824 module.

Refer to the Data Translation web site ([www.datatranslation.com](http://www.datatranslation.com)) for more information on the appropriate software package for your application.

## **Accessories**

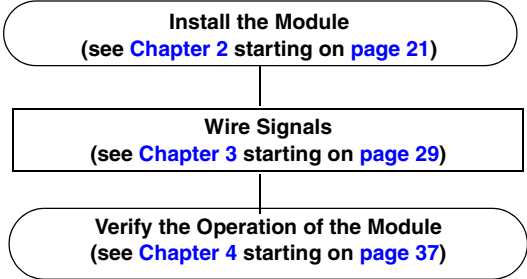
The following optional accessories are available for the DT9824 module:

- **STP37 screw terminal panel** – The STP37 permits easy screw terminal connections for accessing the digital I/O signals on a DT9824 module.
- **EP333 cable** – The EP333 is a 2-meter shielded cable with two 37-pin connectors that connects the STP37 screw terminal panel to the digital I/O connector of the module.
- **Rack-mount kits** – To rack mount a single module, order EP379, a single rack-mount kit (Data Translation part number 23610).

To rack mount two modules side by side, order EP380, a dual rack-mount kit (Data Translation part number 23604).

# Getting Started Procedure

The flow diagram shown in [Figure 1](#) illustrates the steps needed to get started using the DT9824 module. This diagram is repeated in each getting started chapter; the shaded area in the diagram shows you where you are in the getting started procedure.



**Figure 1: Getting Started Flow Diagram**



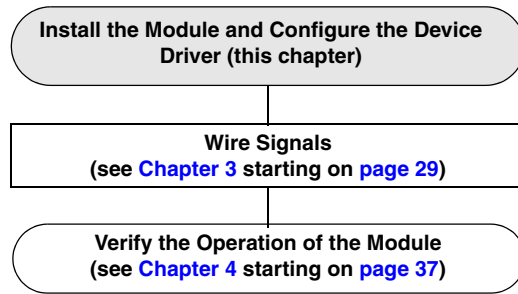
# ***Part 1: Getting Started***





## ***Installing the Module***

Unpacking .....	23
Attaching Modules to the Computer .....	24
Configuring the Driver .....	27



## ***Unpacking***

Open the shipping box and verify that the following items are present:

- DT9824 module
- EP365 USB cable
- Data Acquisition OMNI CD-ROM

If an item is missing or damaged, contact Data Translation. If you are in the United States, call the Customer Service Department at (508) 481-3700, ext. 1323. An application engineer will guide you through the appropriate steps for replacing missing or damaged items. If you are located outside the United States, call your local distributor, listed on Data Translation's web site ([www.datatranslation.com](http://www.datatranslation.com)).

## Attaching Modules to the Computer

You can attach a DT9824 module to the host computer in one of two ways:

- Connect directly to a USB port of the host computer, described on [page 24](#). Use this method if one or two DT9824 modules are sufficient for your application.
- Connect to one or more self-powered USB hubs, described on [page 25](#). Use this method if your application requires more than two DT9824 modules connected to the host computer.

You **must** install the device driver before connecting your DT9824 module(s) to the host computer.

---

**Note:** The DT9824 module is a low-power device (using less than 500 mA); therefore, it does not require an external power supply.

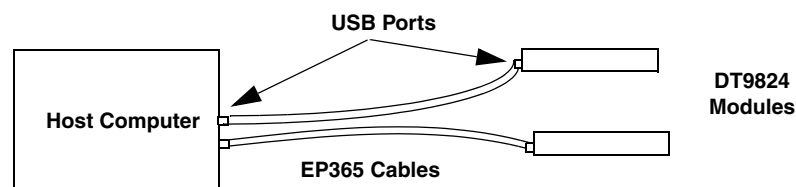
---

### Connecting Directly to the Host Computer

Generally, host computers have two or more USB ports. These ports are completely independent. To connect a DT9824 module directly to a USB port of the computer, do the following:

1. Attach one end of the EP365 cable, which is shipped with the DT9824 module, to the USB port on the module.
2. Attach the other end of the EP365 cable to one of the USB ports on the host computer, as shown in [Figure 2](#).

*The operating system automatically detects the USB device and starts the Found New Hardware wizard.*



**Figure 2: Attaching the DT9824 Module Directly to the Host Computer**

3. *For Windows Vista:*
  - a. Click **Locate and install driver software (recommended)**.  
*The popup message "Windows needs your permission to continue" appears.*
  - b. Click **Continue**.  
*The Windows Security dialog box appears.*
  - c. Click **Install this driver software anyway**.

---

*For Windows XP:*

- a. Click **Next** and/or **Finish** as required in the wizard.  
*Once the firmware is loaded, the wizard restarts to initiate the firmware to accept commands.*
- b. Click **Next** and/or **Finish** again.

---

**Note:** Windows 7 finds the device automatically.

---

4. Repeat these steps to attach another DT9824 module to the host computer, if desired.

---

**Note:** You can unplug a module, and then plug it in again, if you wish, without causing damage. This process is called hot-swapping.

Your application may take a few seconds to recognize a module once it is plugged back in.

---

## Connecting to a Self-Powered USB Hub

Self-powered USB hubs are USB hubs that are powered by their own external power supply. The practical number of DT9824 modules that you can connect to a single USB port depends on the throughput you want to achieve.

---

**Note:** The bandwidth of the USB Ver. 1.1 bus is 12 Mbits/second. For each DT9824 module, the maximum sample rate is 4800 Samples/s x 4 bytes per samples x 5 channels (4 analog input channels and the digital input port). Therefore, if you want to achieve full throughput on each module, you should connect no more than four DT9824 modules to a single USB Ver. 1.1 port.

---

To connect a DT9824 module to a self-powered USB hub, do the following:

1. Attach one end of the EP365 cable to the DT9824 module and the other end of the EP365 cable to a self-powered USB hub.
2. Connect the power supply for the self-powered USB hub to an external power supply.
3. Connect the hub to the USB port on the host computer using another EP365 cable.  
*The operating system automatically detects the USB device and starts the Found New Hardware wizard.*
4. *For Windows Vista:*
  - a. Click **Locate and install driver software (recommended)**.  
*The popup message "Windows needs your permission to continue" appears.*
  - b. Click **Continue**.  
*The Windows Security dialog box appears.*
  - c. Click **Install this driver software anyway**.

*For Windows XP:*

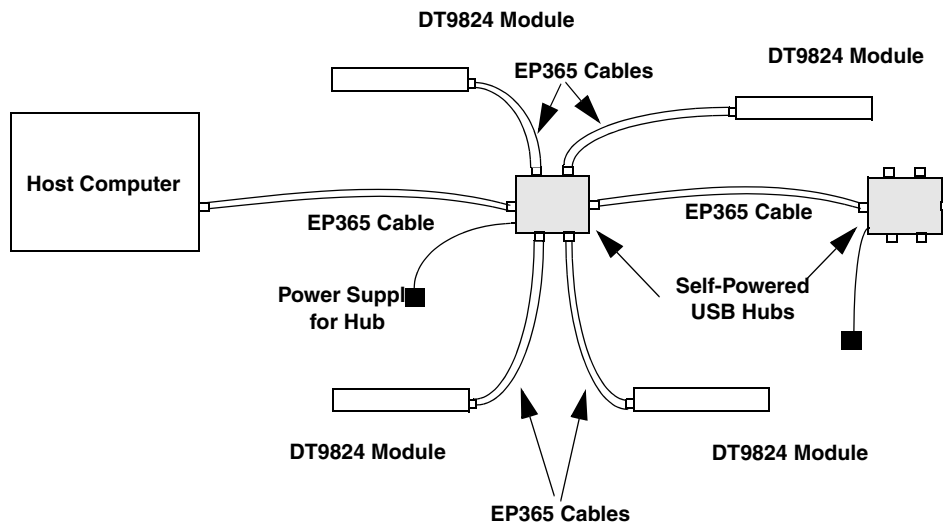
- a. Click **Next** and/or **Finish** as required in the wizard.  
*Once the firmware is loaded, the wizard restarts to initiate the firmware to accept commands.*
- b. Click **Next** and/or **Finish** again.

---

**Note:** Windows 7 finds the device automatically.

---

5. Repeat these steps until you have attached the number of hubs and modules that you desire. Refer to [Figure 3](#).  
*The operating system automatically detects the USB devices as they are installed.*



**Figure 3: Attaching DT9824 Modules to the Host Computer Using Self-Powered USB Hubs**

---

**Note:** You can unplug a module, and then plug it in again, if you wish, without causing damage. This process is called hot-swapping.

Your application may take a few seconds to recognize a module once it is plugged back in.

---

---

## Configuring the Driver

To configure the DT9824 device driver, do the following:

1. If you have not already done so, power up the host computer and all peripherals.
2. From the Control Panel, double-click the **Open Layers Data Acquisition Control Panel** icon.  
*The Open Layers dialog box appears.*
3. If you want to rename the module, click **Edit Name**; otherwise, go to step 5.
4. Enter a new name for the module, and then click **OK**.

---

**Note:** This name is used to identify the module in all subsequent applications.

---

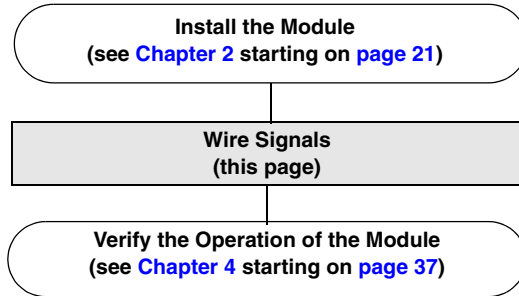
5. When you are finished configuring the module, click **Close**.
6. Close the Control Panel.





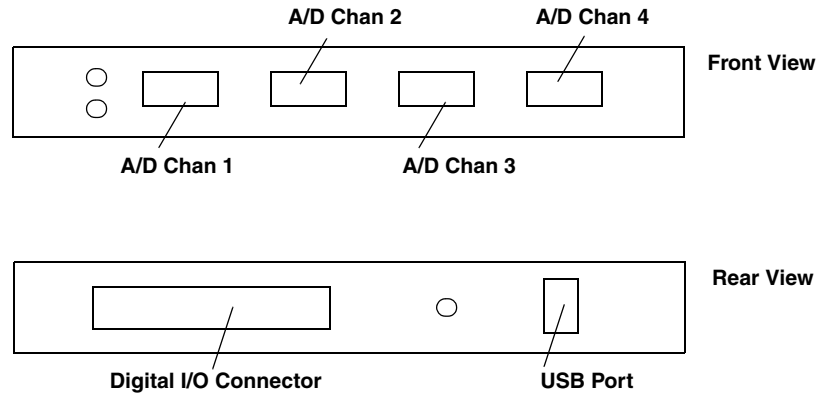
## ***Wiring Signals***

Preparing to Wire Signals .....	31
Connecting Analog Input Signals .....	32
Connecting Digital I/O Signals .....	33



## Preparing to Wire Signals

The DT9824 module, shown in [Figure 4](#), contains four analog input channels with screw terminal connectors for connecting analog input signals and a 37-pin digital I/O connector for attaching 8 opto-isolated digital input signals and 8 opto-isolated digital output signals.



**Figure 4: Connectors of the DT9824**

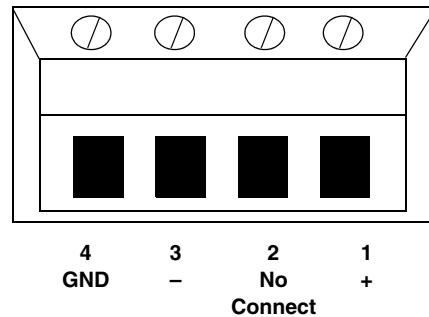
Keep the following recommendations in mind when wiring signals to the DT9824 module:

- Follow standard ESD procedures when wiring signals to the module.
- Use individually shielded twisted-pair wire (size 14 to 26 AWG) when using the DT9824 module in highly noisy electrical environments.
- Separate power and signal lines by using physically different wiring paths or conduits.
- To avoid noise, do not locate the DT9824 module and cabling next to sources that produce high electromagnetic fields, such as large electric motors, power lines, solenoids, and electric arcs, unless the signals are enclosed in a mumetal shield.
- Prevent electrostatic discharge to the I/O while the DT9824 module is operational.
- Connect all unused analog input channels to analog ground.
- When first installing the module, try wiring the signals as follows:
  - Wire a function generator or a known voltage source to analog input channel 1 using the differential configuration.
  - Wire a digital input to digital input line 0.
  - Wire a digital output to digital output line 0.
  - Then, run the Quick DataAcq application (described in [Chapter 4](#) starting on [page 37](#)) to verify that the module is operating properly.

Once you have determined that the module is operating properly, wire the signals according to your application's requirements.

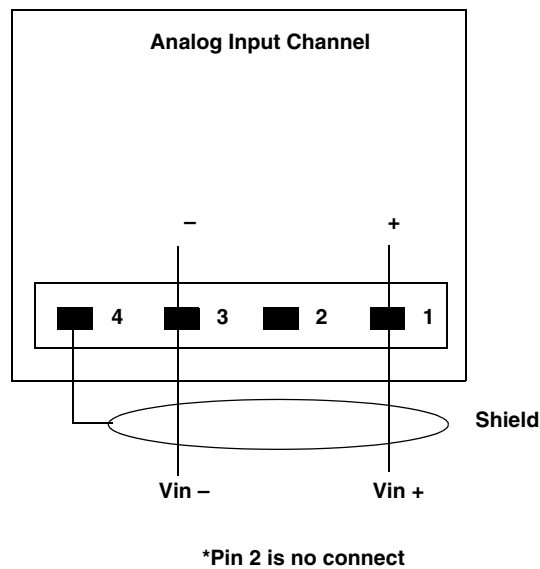
## Connecting Analog Input Signals

You can connect analog input signals to the DT9824 module in the differential configuration only. [Figure 5](#) shows the numbering of the screw terminal blocks for analog input connections.



**Figure 5: Screw Terminal Block Numbering for Analog Input Connections**

[Figure 6](#) shows how to connect voltage inputs to the DT9824.



**Figure 6: Connecting Voltage Inputs**

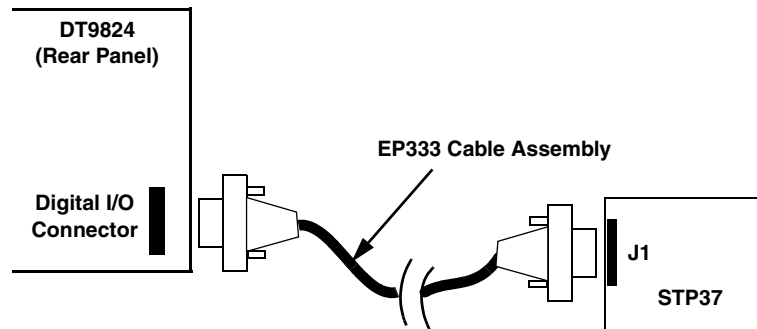
---

**Note:** For best accuracy when connecting voltage inputs, use twisted-pair wires with a dead-ended shield connected to pin 4 of the screw terminal block.

---

## Connecting Digital I/O Signals

To make digital I/O connections easier, you can use the optional STP37 screw terminal panel and EP333 cable with your DT9824 module. Connect the STP37 to the digital I/O connector of the module as shown in [Figure 7](#):



**Figure 7: Connecting the Module to the STP37**

[Figure 8](#) shows the layout of the STP37 screw terminal panel and lists the assignments of each screw terminal.

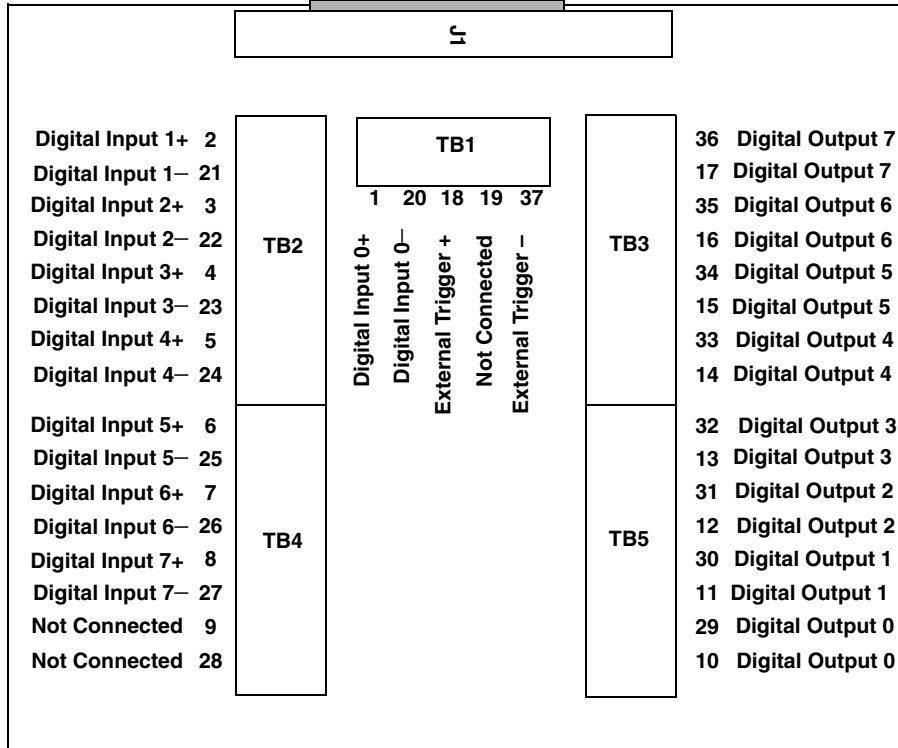
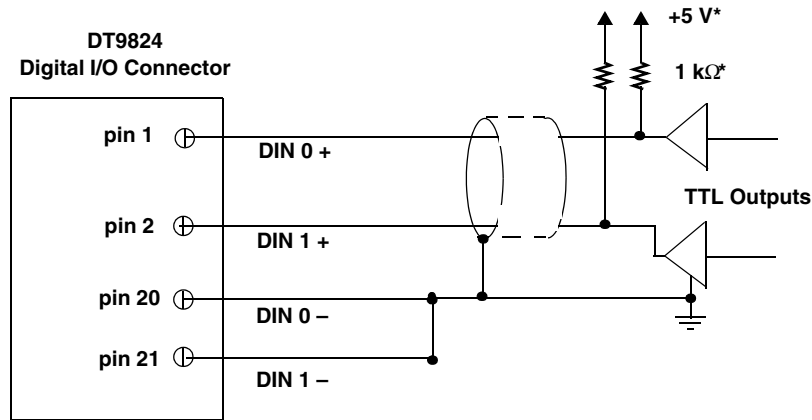


Figure 8: STP37 Screw Terminal Panel

## Connecting Digital Input Signals

Figure 9 shows how to connect digital input signals (lines 0 and 1, in this case) to the digital I/O connector on the DT9824 module.



\*1 kΩ pull-up to +5 V required for TTL outputs.

Figure 9: Connecting Digital Inputs

## Connecting Digital Output Signals

The digital output lines on a DT9824 module act as solid-state relays. The customer-supplied signal can be  $\pm 30$  V at up to 400 mA (peak) AC or DC.

You can use the digital output lines of the module to control solid-state or mechanical relays or high-current electric motors. Figure 10 shows how to connect digital output signals to line 0 of the module to control a motor relay.

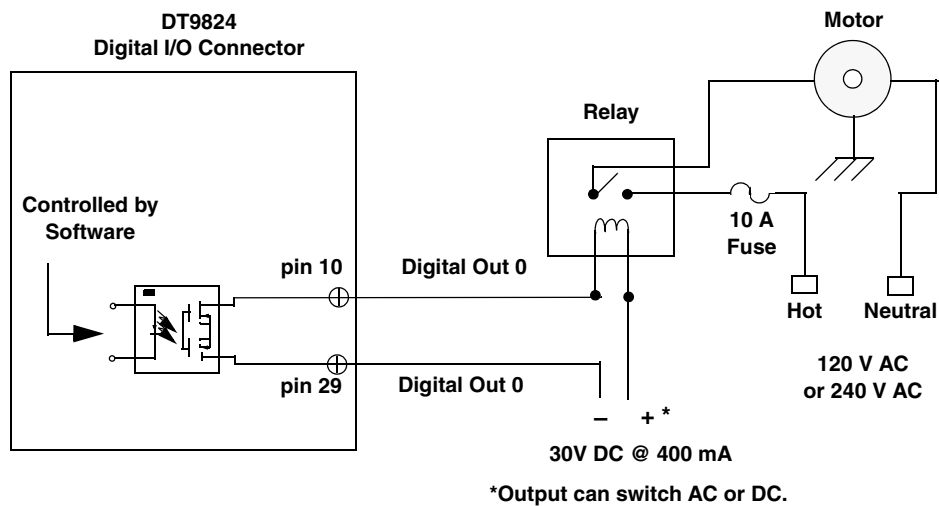


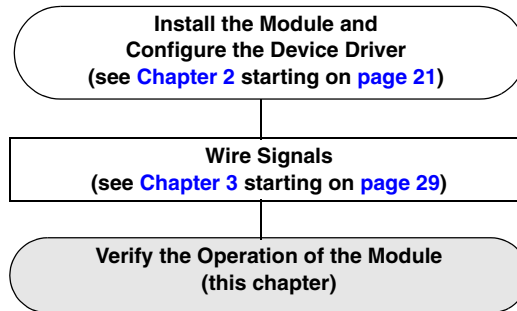
Figure 10: Switching up to 30 V at 400 mA





## ***Verifying the Operation of the Module***

Running the Quick DataAcq Application.....	39
Testing Single-Value Analog Input .....	40
Testing Continuous Analog Input .....	41
Testing Continuous Analog Input .....	41
Testing Single-Value Digital Input.....	42
Testing Single-Value Digital Output .....	43



You can verify the operation of a DT9824 module using the Quick DataAcq application. The Quick DataAcq application allows you to do the following:

- Acquire data from a single analog input channel or digital input port
- Acquire data continuously from one or more analog input channels using an oscilloscope, strip chart, or Fast Fourier Transform (FFT) view
- Output data from a single digital output port
- Save the input data to disk

This chapter describes how to install and run the Quick DataAcq application.

## Running the Quick DataAcq Application

The Quick DataAcq application is installed automatically when you install the driver software.

To run the Quick DataAcq application, do the following:

1. If you have not already done so, power up your computer and any attached peripherals.
2. Click **Start** from the Task Bar.
3. Browse to **Programs | Data Translation, Inc | DT-Open Layers for Win32 | QuickDataAcq**.  
*The main menu appears.*

---

**Note:** The Quick DataAcq application allows you to verify basic operations on the board; however, it may not support all of the board's features.

For information on each of the features provided, use the online help for the Quick DataAcq application by pressing F1 from any view or selecting the **Help** menu. If the system has trouble finding the help file, navigate to C:\Program Files\Data Translation\Win32\dtdataacq.hlp, where C: is the letter of your hard disk drive.

---

## Testing Single-Value Analog Input

To verify that the module can read a single analog input value, do the following:

1. Connect a voltage source, such as a function generator, to analog input channel 1 (differential mode) on the DT9824 module. Refer to [page 32](#) for information on connecting analog input signals.
2. In the Quick DataAcq application, choose **Single Analog Input** from the **Acquisition** menu.
3. Select the appropriate DT9824 module from the Board list box.

---

**Note:** Once you select the module, the LED on the module turns green.

---

4. In the Channel list box, select an index of 0 to select analog input channel 1.
5. In the Range list box, select the range for the channel.  
The default is  $\pm 10$  V.
6. Select **Differential**.
7. Click **Get** to acquire a single value from analog input channel 1.  
*The application displays the value on the screen in both text and graphical form.*

## Testing Continuous Analog Input

To verify that the module can perform a continuous analog input operation, do the following:

1. Connect known voltage sources, such as the outputs of a function generator, to analog input channels 1 and 2 on the DT9824 module (using the differential configuration). Refer to [page 32](#) for more information on connecting analog input signals.
2. In the Quick DataAcq application, choose **Scope** from the **Acquisition** menu.
3. Select the appropriate DT9824 module from the Board list box.

---

**Note:** Once you select the module, the LED on the module turns green.

---

4. In the Sec/Div list box, select the number of seconds per division (.1 to .00001) for the display.
5. Click **Config** from the Toolbar.
6. From the Config menu, select **ChannelType**, and then select **Differential**.
7. From the Config menu, select **Range**, and then select **Bipolar**.  
The default is Bipolar.
8. From the Scope view, double-click the input range of the channel to change the input range of the module:  $\pm 10$  V,  $\pm 1.25$  V,  $\pm 0.625$  V, or  $\pm 0.3125$  V.  
*The display changes to reflect the selected range for all the analog input channels on the module.*
9. In the Trigger box, select **Auto** to acquire data continuously from the specified channels or **Manual** to acquire a burst of data from the specified channels.
10. Click **Start** from the Toolbar to start the continuous analog input operation.  
*The application displays the values acquired from each channel in a unique color on the oscilloscope view.*

---

**Note:** When the module is performing a continuous Scope or FFT operation, the LED on the module turns green (the resulting color may appear yellow).

---

11. Click **Stop** from the Toolbar to stop the operation.

## Testing Single-Value Digital Input

To verify that the module can read a single digital input value, do the following:

1. Connect a digital input to digital input line 0 of port A on the DT9824 module. Refer to [page 34](#) for more information on connecting digital inputs.
2. In the Quick DataAcq application, choose **Digital Input** from the **Acquisition** menu.
3. Select the appropriate DT9824 module from the Board list box.

---

**Note:** Once you select the module, the LED on the module turns green.

---

4. Select digital input port A by clicking **Port A**.
5. Click **Get**.  
*The application displays the value of each digital input line in port A on the screen in both text and graphical form.*

## Testing Single-Value Digital Output

To verify that the module can output a single digital output value, perform the following steps:

1. Connect a digital output to digital output line 0 of port B on the DT9824 module. Refer to [page 35](#) for more information on connecting digital outputs.
2. In the Quick DataAcq application, choose **Digital Output** from the **Control** menu.
3. Select the appropriate DT9824 module from the Board list box.

---

**Note:** Once you select the module, the LED on the module turns green.

---

4. Select digital output port B by clicking **Port B**.
5. Click the appropriate bits to select the type of signal to write from the digital output lines. If the bit is selected, a high-level signal is output from the digital output line; if the bit is not selected, a low-level signal is output from the digital output line. Optionally, you can enter an output value in the Hex text box.
6. Click **Send**.  
*The application outputs and displays the value of each digital output line of digital port B on the screen in both text and graphical form.*



---

# ***Part 2: Using Your Module***





## ***Principles of Operation***

Analog Input Features .....	49
Digital I/O Features .....	54

Figure 11 shows a block diagram of the DT9824 module.

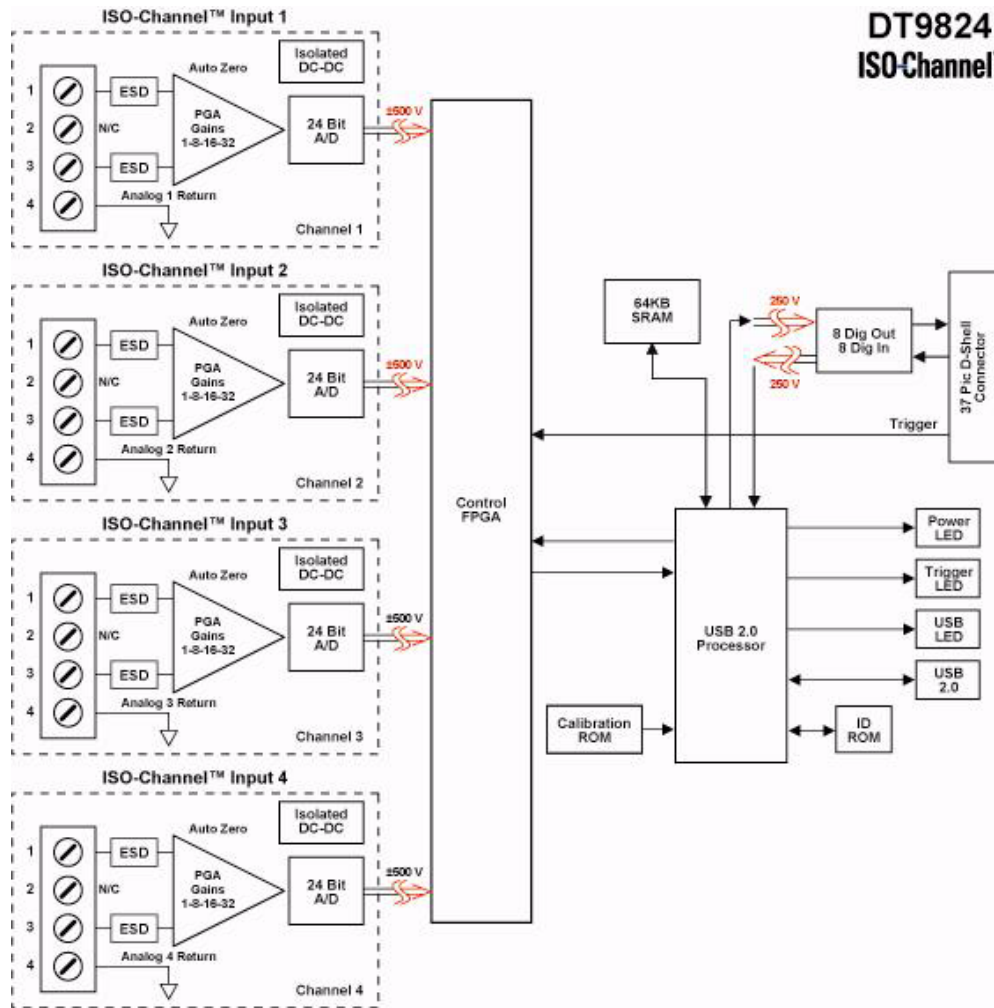


Figure 11: Block Diagram of the DT9824 Module

## Analog Input Features

This section describes the following features of the analog input (A/D) subsystem on the DT9824 module:

- Analog input channels, described on [page 49](#)
- Input resolution, described on [page 50](#)
- Input ranges and gains, described on [page 50](#)
- A/D sample clock sources, described on [page 50](#)
- Analog input conversion modes, described on [page 51](#)
- Triggers, described on [page 51](#)
- Data formats, described on [page 52](#)
- Data transfer, described on [page 53](#)
- Error conditions, described on [page 53](#)

### Analog Input Channels

The DT9824 module supports four, simultaneous, analog input channels, configured differentially. Refer to [Chapter 3](#) for more information on wiring to the analog input channels.

The DT9824 module can acquire data from a single analog input channel or from a group of analog input channels. In hardware analog input channels are numbered 1 to 4; in software, the index of a channel is zero-based. Therefore, to access channel 1, specify an index of 0 in software. Similarly, to access channel 4, specify an index of 3 in software.

#### ***Specifying a Single Analog Input Channel***

The simplest way to acquire data from a single analog input channel is to use a single-value analog input operation using software; refer to [page 51](#) for more information about single-value operations.

You can also specify a single channel using the analog input channel list, described next.

#### ***Specifying One or More Analog Input Channels***

You can read data from one or more analog input channels using an channel-gain list. Because the DT9824 module features simultaneous sampling, the order of the channels in the channel-gain list does not matter. You cannot specify the same channel more than once in the list.

Using software, specify the index (0 to 3) of the analog input channels that you want to sample. Refer to [page 51](#) for more information about the supported conversion modes.

## Specifying the Digital Input Port in the Analog Input Channel List

Using the DT9824 module, you can also read the digital input port (all 8 digital input lines) in the analog input stream by specifying a channel index of 4 in the channel-gain list. This feature is particularly useful when you want to correlate the timing of analog and digital events. You can enter channel 4 anywhere in the channel-gain list.

The digital input port is treated like any other channel in the analog input channel list; therefore, all the clocking, triggering, and conversion modes supported for analog input channels are supported for the digital input port, if you specify them this way.

## Input Resolution

The analog input resolution of the DT9824 module is fixed at 24 bits.

## Input Ranges and Gains

The DT9824 module supports an input range of  $\pm 10$  V. In addition, you can choose from up to 4 gains (1, 8, 16, or 32). Table 1 lists the supported gains and effective input range of each input range on the DT9824 module.

**Table 1: Effective Input Ranges**

Gain	Input Range
1	$\pm 10$ V
8	$\pm 1.25$ V
16	$\pm 0.625$ V
32	$\pm 0.3125$ V

Choose the gain that has the smallest effective range that includes the signal you want to measure. For example, if the range of your analog input signal is  $\pm 1.05$  V, specify a range of  $\pm 10$  V for the A/D subsystem and use a gain of 8 for the channel; the effective input range for this channel is then  $\pm 1.25$  V, which provides the best sampling accuracy for that channel.

You can either specify the gain as part of the single-value operation. If you want to clock A/D conversions, specify the gain for the channel entry in the channel-gain list.

## A/D Sample Clock

The DT9824 module provides an internal A/D sample clock with a minimum sampling frequency of 4.7 Hz and a maximum sampling frequency of 4800 Hz. All channels that are specified in the channel-gain list are sampled simultaneously at the specified sampling frequency.

---

**Note:** According to sampling theory (Nyquist Theorem), specify a frequency that is at least twice as fast as the input's highest frequency component. For example, to accurately sample a 400 Hz signal, specify a sampling frequency of at least 800 Hz to avoid aliasing.

---

The actual frequency that the module can achieve may be slightly different than the frequency you specified due to the accuracy of the clock. You can determine the actual clock frequency using software.

## Triggers

A trigger is an event that occurs based on a specified set of conditions. The DT9824 module supports the following trigger sources:

- **Software trigger** – A software trigger event occurs when you start the analog input operation (the computer issues a write to the module to begin conversions). Using software, specify the trigger source as a software trigger.
- **External trigger** – An external digital trigger occurs when the DT9824 module detects either a falling-edge or rising-edge on the External trigger line. The edge-type is software-programmable.

The external trigger connection is a differential input, allowing for TTL-level or switch connections. The positive side is pulled up to +5 V. If you are using the external trigger to detect a contact closure, ensure that you configure the polarity of the external trigger for a falling-edge (high-to-low) transition.

## Analog Input Conversion Modes

The DT9824 module supports the following conversion modes:

- **Single-value operations** are the simplest to use but offer the least flexibility and efficiency. Using software, you can specify the range, gain, and index of the analog input channel, and acquire the data from that channel. The data is returned immediately. For a single-value operation, you cannot specify a clock source, trigger source, or buffer.

Single-value operations stop automatically when finished; you cannot stop a single-value operation.

- **Continuous mode** takes full advantage of the capabilities of the DT9824 module. You can specify a trigger source and buffer using software. (Refer to [page 53](#) for more information on buffers.)

You can stop a continuous operation by performing either an orderly stop or an abrupt stop using software. In an orderly stop, the module finishes acquiring the data, stops all subsequent acquisition, and transfers the acquired data to host memory; all subsequent triggers are ignored. In an abrupt stop, the module stops acquiring samples immediately; the acquired data is not transferred to host memory, and all subsequent triggers or retriggers are ignored.

The conversion rate is determined by the frequency of the A/D sample clock; refer to [page 50](#) for more information on the A/D sample clock.

DT9824 modules use an 8 kbyte input buffer for storing data from each of up to 5 enabled input channels (analog input indices 0 to 3, and the digital input port, index 4).

One sample from each of the enabled input channels is called a scan. In software, you specify the number of scans that you want to acquire in the input buffer.

You can specify one of the following wrap modes for the input buffer in software:

- Continuous wrap mode – Use this mode if you want the input operation to continue indefinitely. In this case, when the end of the input buffer is reached, the operation wraps to the beginning of the input buffer overwriting the oldest scan data with the latest scan data.
- No wrap mode – Use this mode if you want the input operation to stop automatically when the number of scans specified has been acquired.

Figure 12 illustrates continuous wrap mode using a channel list with five entries: analog input channel indices 0, 1, 2, 3, and the digital input data (index 4). In this example, data is acquired simultaneously on all channels on each clock pulse of the input sample clock. Data is acquired continuously until all the queued buffers have been filled or you stop the operation.

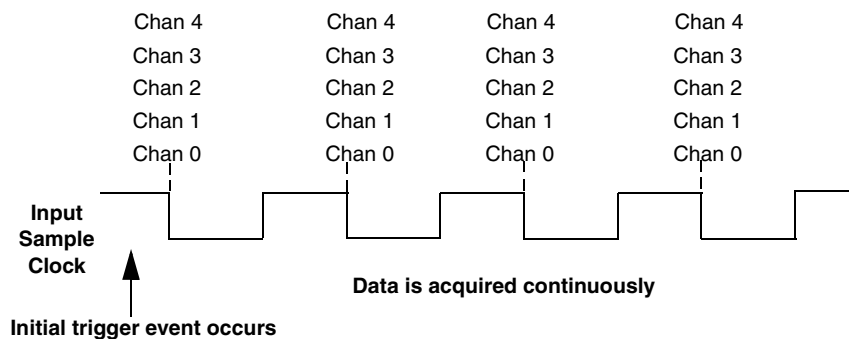


Figure 12: Continuous Wrap Mode

## Data Format

The DT9824 module uses offset binary data encoding for the  $\pm 10$  V bipolar range.

---

**Note:** When the DT9824 is above range, the value FFFFFFFh (plus full-scale) is returned. When the DT9824 module is below range, the value 000000h (minus full-scale) is returned.

---

In software, the analog input value is returned as a code. To convert the code to voltage, use the following formulas:

$$\text{LSB} = \frac{\text{FSR}}{2^N}$$

$$V_{\text{in}} = \text{Code} * \text{LSB} + \text{Offset}$$

where,

- *LSB* is the least significant bit.
- *FSR* is the full-scale range. For the DT9824, the full-scale range is 20.
- *N* is the input resolution (24 bits).
- *V<sub>in</sub>* is the analog voltage.
- *Code* is the raw count used by the software to represent the voltage.
- *Offset* is the actual minus full-scale value. The minus full-scale value is -10 V.

For example, if the software returns a code of 2010 for the analog input operation, determine the analog input voltage as follows:

$$\text{LSB} = \frac{20}{16777216} = 0.00000119 \text{ V}$$

$$V_{\text{in}} = 2010 * 0.00000119 + -10.0$$

$$V_{\text{in}} = -9.998 \text{ V}$$

## Data Transfer

The DT9824 module transfers data to a user buffer that you allocate in the host computer. Keep the following recommendations in mind when allocating user buffers for continuous analog input operations on the DT9824 module:

- Allocate a minimum of two user buffers.
- Specify the width of the buffer as 4 bytes.

Data is written to the allocated buffers continuously until no more empty buffers are available or you stop the operation. The data is gap-free.

## Error Conditions

The DT9824 module can report an A/D overrun error if the A/D sample clock rate is too fast. The error occurs if a new A/D sample clock pulse occurs while the ADC is busy performing a conversion from the previous A/D sample clock pulse. The host computer can clear this error. To avoid this error, use a slower sampling rate.

## Digital I/O Features

The DT9824 module provides 8 digital input lines and 8 digital output lines that you can use to control external equipment, including solid-state or mechanical relays.

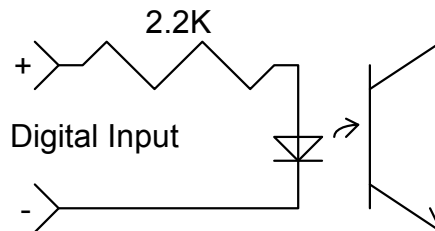
This section describes the following digital I/O features of the DT9824 modules:

- Digital input lines, described below
- Digital output lines, described on [page 54](#)
- Channel-to-channel isolation, described on [page 55](#)
- Resolution, described on [page 55](#)
- Operation modes, described on [page 55](#)

### Digital Input Lines

The DT9824 module features eight, isolated, digital input lines.

Digital inputs operate from +3 to +28 V DC, with a switching time of 2 ms maximum. [Figure 13](#) shows the digital input circuitry; a 2.2 k $\Omega$  resistor is used in series with the LED in the opto-isolator input.



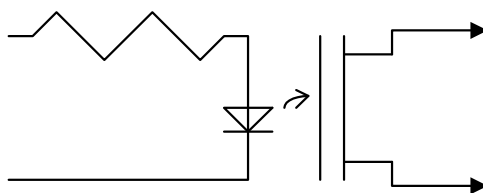
**Figure 13: Digital Input Circuitry**

A digital line is high (switch is closed) if its value is 1; a digital line is low (switch is open) if its value is 0.

### Digital Output Lines

The DT9824 module features eight, latched and isolated digital output lines. The outputs are solid-state relays that operate at  $\pm 30$  V and 400 mA peak (AC or DC). Switching time is 2 ms maximum.

[Figure 14](#) shows the digital output circuitry.



**Figure 14: Digital Output Circuitry**

Digital outputs resemble a switch; the switch is closed if the state of the digital output line is 1, and the switch is open if the state of the digital output line is 0. On power up or reset, the digital outputs are open.

## Channel-to-Channel Isolation

The DT9824 module includes channel-to-channel isolation of up to 250 V between digital I/O lines. If you require greater channel-to-channel isolation, use every other digital line. This reduces the number of digital I/O lines, but provides channel-to-channel isolation of 500 V (one channel can be +250 V while the adjacent channel can be -250 V).

## Resolution

The DT9824 module provides a resolution of eight bits for the digital input port to accommodate the eight isolated digital input lines and a resolution of eight bits for the digital output port to accommodate the eight isolated digital output lines. These lines are organized as isolated, dedicated ports. You cannot configure port resolution through software.

## Operation Modes

The following digital I/O operation modes are supported for the DT9824 module:

- **Single-value operations** are the simplest to use but offer the least flexibility and efficiency. You use software to specify the digital input or output port (the gain is ignored). Data is then read from or written to the corresponding digital I/O lines.
- **Continuous digital input** takes full advantage of the capabilities of the DT9824 module using the analog input clock source, conversion mode, and buffer. The analog input sample clock then paces acquisition of the analog input channels as well as the digital input port; refer to [page 50](#) for more information about specifying the digital input port in the analog input channel-gain list.





## ***Supported Device Driver Capabilities***

Data Flow and Operation Options.....	59
Buffering .....	60
Triggered Scan Mode .....	60
Gain .....	61
Channels .....	61
Ranges .....	62
Resolution .....	62
Thermocouple and RTD Support.....	63
IEPE Support.....	63
Triggers .....	64
Clocks.....	64
Counter/Timers .....	65

The DT9824 Device Driver provides support for the analog input (A/D), digital input (DIN), and digital output (DOUT) subsystems. For information on how to configure the device driver, refer to [page 27](#).

**Table 2: DT9824 Subsystems**

DT9824	A/D	D/A	DIN	DOUT	C/T	QUAD
Total Subsystems on Module	1	0	1	1	0	0

The tables in this chapter summarize the features available for use with the DT-Open Layers for .NET Class Library and the DT9824 module. The DT-Open Layers for .NET Class Library provides properties that return support information for specified subsystem capabilities.

The first row in each table lists the subsystem types. The first column in each table lists all possible subsystem capabilities. A description of each capability is followed by the property used to describe that capability in the DT-Open Layers for .NET Class Library.

---

**Note:** Blank fields represent unsupported options.

---

For more information, refer to the description of these properties in the DT-Open Layers for .NET Class Library online help or *DT-Open Layers for .NET Class Library User's Manual*.

## Data Flow and Operation Options

Table 3: DT9824 Data Flow and Operation Options

DT9824	A/D	D/A	DIN	DOUT	C/T	QUAD
Single-Value Operation Support <b>SupportsSingleValue</b>	Yes		Yes	Yes		
Simultaneous Single-Value Output Operations <b>SupportsSetSingleValues</b>						
Continuous Operation Support <b>SupportsContinuous</b>	Yes		Yes			
Continuous Operation until Trigger <b>SupportsContinuousPreTrigger</b>						
Continuous Operation before & after Trigger <b>SupportsContinuousPrePostTrigger</b>						
Waveform Operations Using FIFO Only <b>SupportsWaveformModeOnly</b>						
Simultaneous Start List Support <b>SupportsSimultaneousStart</b>	Yes					
Supports Programmable Synchronization Modes <b>SupportsSynchronization</b>						
Synchronization Modes <b>SynchronizationMode</b>						
Interrupt Support <b>SupportsInterruptOnChange</b>						
Output FIFO Size <b>FifoSize</b>	8					
Auto-Calibrate Support <b>SupportsAutoCalibrate</b>	Yes					

## Buffering

Table 4: DT9824 Buffering Options

DT9824	A/D	D/A	DIN	DOUT	C/T	QUAD
Buffer Support <b>SupportsBuffering</b>	Yes					
Single Buffer Wrap Mode Support <b>SupportsWrapSingle</b>						
Inprocess Buffer Flush Support <b>SupportsInProcessFlush</b>	Yes					

## Triggered Scan Mode

Table 5: DT9824 Triggered Scan Mode Options

DT9824	A/D	D/A	DIN	DOUT	C/T	QUAD
Triggered Scan Support <b>SupportsTriggeredScan</b>						
Maximum Number of CGL Scans per Trigger <b>MaxMultiScanCount</b>	1		0	0		
Maximum Retrigger Frequency <b>MaxRetriggerFreq</b>	0		0	0		
Minimum Retrigger Frequency <b>MinRetriggerFreq</b>	0		0	0		

## Data Encoding

Table 6: DT9824Data Encoding Options

DT9824	A/D	D/A	DIN	DOUT	C/T	QUAD
Binary Encoding Support <b>SupportsBinaryEncoding</b>	Yes <sup>a</sup>		Yes	Yes		
Twos Complement Support <b>SupportsTwosCompEncoding</b>						
Returns Floating-Point Values <b>ReturnsFloats</b>						

a. The DT9824 uses offset binary encoding for the  $\pm 10$  V range.

## Channels

**Table 7: DT9824 Channel Options**

DT9824	A/D	D/A	DIN	DOUT	C/T	QUAD
Number of Channels <b>NumberOfChannels</b>	5 <sup>a</sup>	0	1	1	0	0
SE Support <b>SupportsSingleEnded</b>			Yes	Yes		
SE Channels <b>MaxSingleEndedChannels</b>	0		1	1		
DI Support <b>SupportsDifferential</b>	Yes					
DI Channels <b>MaxDifferentialChannels</b>	5		0	0		
Maximum Channel-Gain List Depth <b>CGLDepth</b>	5		0	0		
Simultaneous Sample-and-Hold Support <b>SupportsSimultaneousSampleHold</b>						
Channel-List Inhibit <b>SupportsChannelListInhibit</b>						

- a. You can acquire data from four analog input channels (indices 0 to 3) and the digital input port (index 4).

## Gain

**Table 8: DT9824 Gain Options**

DT9824	A/D	D/A	DIN	DOUT	C/T	QUAD
Programmable Gain Support <b>SupportsProgrammableGain</b>	Yes					
Number of Gains <b>NumberOfSupportedGains</b>	4		1	1		
Gains Available <b>SupportedGains</b>	1, 8, 16, 32		1	1		

## Ranges

Table 9: DT9824 Range Options

DT9824	A/D	D/A	DIN	DOUT	C/T	QUAD
Number of Voltage Ranges <b>NumberOfRanges</b>	1	0	0	0	0	0
Available Ranges <b>SupportedVoltageRanges</b>	±10 V					
Current Output Support <b>SupportsCurrentOutput</b>						

## Resolution

Table 10: DT9824 Resolution Options

DT9824	A/D	D/A	DIN	DOUT	C/T	QUAD
Software Programmable Resolution <b>SupportsSoftwareResolution</b>						
Number of Resolutions <b>NumberOfResolutions</b>	1	0	1	1	0	0
Available Resolutions <b>SupportedResolutions</b>	24		8	8		

## Thermocouple and RTD Support

Table 11: DT9824 Thermocouple and RTD Support Options

DT9824	A/D	D/A	DIN	DOUT	C/T	QUAD
Thermocouple Support <b>SupportsThermocouple</b>						
RTD Support <b>SupportsRTD</b>						
Resistance Support <b>ReturnsOhms</b>						
Voltage Converted to Temperature in Hardware <b>SupportsTemperatureDataInStream</b>						
Supported Thermocouple Types <b>ThermocoupleType</b>						
Supported RTD Types <b>RTDType</b>						
Supports CJC Source Internally in Hardware <b>SupportsCjcSourceInternal</b>						
Supports CJC Channel <b>SupportsCjcSourceChannel</b>						
Available CJC Channels <b>CjcChannel</b>						
Supports Interleaved CJC Values in Data Stream <b>SupportsInterleavedCjcTemperaturesInStream</b>						
Supports Programmable Filters <b>SupportsTemperatureFilters</b>						
Programmable Filter Types <b>TemperatureFilterType</b>						

## IEPE Support

Table 12: DT9824 IEPE Support Options

DT9824	A/D	D/A	DIN	DOUT	C/T	QUAD
Software Programmable AC Coupling <b>SupportsACCoupling</b>						
Software Programmable DC Coupling <b>SupportsDCCoupling</b>						
Software Programmable External Excitation Current Source <b>SupportsExternalExcitationCurrentSrc</b>						
Software Programmable Internal Excitation Current Source <b>SupportsInternalExcitationCurrentSrc</b>						
Available Excitation Current Source Values <b>SupportedExcitationCurrentValues</b>						

## Triggers

Table 13: DT9824 Trigger Options

DT9824	A/D	D/A	DIN	DOUT	C/T	QUAD
Software Trigger Support <b>SupportsSoftwareTrigger</b>	Yes		Yes	Yes		
External Positive TTL Trigger Support <b>SupportsPosExternalTTLTrigger</b>	Yes					
External Negative TTL Trigger Support <b>SupportsNegExternalTTLTrigger</b>	Yes					
External Positive TTL Trigger Support for Single-Value Operations <b>SupportsSvPosExternalTTLTrigger</b>						
External Negative TTL Trigger Support for Single-Value Operations <b>SupportsSvNegExternalTTLTrigger</b>						
Positive Threshold Trigger Support <b>SupportsPosThresholdTrigger</b>						
Negative Threshold Trigger Support <b>SupportsNegThresholdTrigger</b>						
Digital Event Trigger Support <b>SupportsDigitalEventTrigger</b>						

## Clocks

Table 14: DT9824 Clock Options

DT9824	A/D	D/A	DIN	DOUT	C/T	QUAD
Internal Clock Support <b>SupportsInternalClock</b>	Yes					
External Clock Support <b>SupportsExternalClock</b>						
Simultaneous Input/Output on a Single Clock Signal <b>SupportsSimultaneousClocking</b>						
Base Clock Frequency <b>BaseClockFrequency</b>	4800 Hz		0	0		
Maximum Clock Divider <b>MaxExtClockDivider</b>	1.0		1.0	1.0		
Minimum Clock Divider <b>MinExtClockDivider</b>	1.0		1.0	1.0		
Maximum Frequency <b>MaxFrequency</b>	4800 Hz		0	0		
Minimum Frequency <b>MinFrequency</b>	4.7 Hz		0	0		

## Counter/Timers

Table 15: DT9824 Counter/Timer Options

DT9824	A/D	D/A	DIN	DOUT	C/T	QUAD
Cascading Support <b>SupportsCascading</b>						
Event Count Mode Support <b>SupportsCount</b>						
Generate Rate Mode Support <b>SupportsRateGenerate</b>						
One-Shot Mode Support <b>SupportsOneShot</b>						
Repetitive One-Shot Mode Support <b>SupportsOneShotRepeat</b>						
Up/Down Counting Mode Support <b>SupportsUpDown</b>						
Edge-to-Edge Measurement Mode Support <b>SupportsMeasure</b>						
Continuous Edge-to-Edge Measurement Mode Support <b>SupportsContinuousMeasure</b>						
High to Low Output Pulse Support <b>SupportsHighToLowPulse</b>						
Low to High Output Pulse Support <b>SupportsLowToHighPulse</b>						
Variable Pulse Width Support <b>SupportsVariablePulseWidth</b>						
None (internal) Gate Type Support <b>SupportsGateNone</b>						
High Level Gate Type Support <b>SupportsGateHighLevel</b>						
Low Level Gate Type Support <b>SupportsGateLowLevel</b>						
High Edge Gate Type Support <b>SupportsGateHighEdge</b>						
Low Edge Gate Type Support <b>SupportsGateLowEdge</b>						
Level Change Gate Type Support <b>SupportsGateLevel</b>						
Clock-Falling Edge Type <b>SupportsClockFalling</b>						
Clock-Rising Edge Type <b>SupportsClockRising</b>						
Gate-Falling Edge Type <b>SupportsGateFalling</b>						
Gate-Rising Edge Type <b>SupportsGateRising</b>						
Interrupt-Driven Operations <b>SupportsInterrupt</b>						





# ***Calibration***

Overview .....	68
Using the Auto-Calibration Procedure .....	69
Using the Manual Calibration Procedure .....	70

## **Overview**

DT9824 modules are calibrated at the factory and should not require calibration for initial use. We recommend that you check and, if necessary, readjust the calibration of the analog input circuitry on the DT9824 modules every six months using the DT9824 Calibration Utility, described in this chapter.

To calibrate the 24-bit A/D offset and A/D gain circuits on your module, you must use a precision voltage standard, such as the Krohn-Hite Model 523 or equivalent.

---

## Using the Auto-Calibration Procedure

---

**Note:** Ensure that you let the DT9824 module warm-up for a minimum of 1 hour before calibrating the unit.

---

Auto-calibration is the easiest to use and is the recommended calibration method. To auto-calibrate the analog input subsystem, do the following:

1. From the Automatic Calibration area at the bottom of the window, select the channel to calibrate from the **Type of Calibration** drop-down list box.
2. Click the **Start** button.  
*The utility prompts you to connect 0 V to the channel to calibrate the offset at different gain settings and at different frequencies.*
3. Ensure that you supply the correct voltage to the selected channel, and then click **OK**.  
*The utility prompts you to connect various voltages to the channel to calibrate the gain at different gain settings and at different frequencies.*
4. Repeat steps 2 to 4 for the remaining A/D channels on the module, following the on-screen prompts.

---

**Note:** At any time, you can click **Restore Factory Settings** to reset the A/D calibration values to their original factory settings. This process will undo any auto or manual calibration settings.

---

## Using the Manual Calibration Procedure

---

**Note:** Ensure that you let the DT9824 module warm-up for a minimum of 1 hour before calibrating the unit.

---

If you want to manually calibrate the analog input circuitry instead of auto-calibrating it, perform the following steps:

1. Select the A/D channel to calibrate (at the top of the window).
2. Select the frequency to use for the calibration (100 or 1200). If you select 100, the chopper is enabled for the A/D converter at frequencies equal to or lower than 960 Hz. If you select 1200, the chopper is disabled for the A/D converter at frequencies greater than 960 Hz.
3. Adjust the offset for the selected channel as follows:
  - a. Select the gain to apply to the channel (1, 8, 16, or 32).
  - b. Apply a voltage of 0 V to the selected channel.
  - c. Adjust the offset by entering values in the Offset edit box, or by clicking the up/down buttons until the AD Voltage matches the value you applied.
  - d. Repeat steps 3a to 3d, selecting the next gain in the list, until the offset values are calibrated for each gain setting.
4. Adjust the gain for the selected channel as follows:
  - a. Select the gain to apply to the channel (1, 8, 16, or 32).
  - b. Apply the appropriate voltage, shown in [Table 16](#), for the selected gain.

**Table 16: Voltages for Calibrating the Gain**

Gain	Voltage to Apply
1	9.60000 V
8	1.20000 V
16	0.60000 V
32	0.30000V

- c. Adjust the gain by entering values in the Gain edit box, or by clicking the up/down buttons until the AD Voltage matches the voltage you applied.
- d. Repeat steps 4a to 4d, selecting the next gain in the list, until the gain values are calibrated for each gain setting.

5. Repeat steps 2 to 4 for the remaining frequency until the offset and gain values are calibrated for each frequency for the selected channel.
6. Repeat steps 1 to 5 for the remaining A/D channels that you want to calibrate.

---

**Note:** At any time, you can click **Restore Factory Settings** to reset the A/D calibration values to their original factory settings. This process will undo any auto or manual calibration settings.

---





## ***Troubleshooting***

General Checklist .....	74
Technical Support .....	76
If Your Module Needs Factory Service .....	77

## General Checklist

Should you experience problems using the DT9824 module, follow these steps:

1. Read all the documentation provided for your product. Make sure that you have added any “Read This First” information to your manual and that you have used this information.
2. Check the OMNI CD for any README files and ensure that you have used the latest installation and configuration information available.
3. Check that your system meets the requirements stated in the README file on the OMNI CD.
4. Check that you have installed your hardware properly using the instructions in [Chapter 2](#).
5. Check that you have installed and configured the device driver properly using the instructions in [Chapter 2](#).
6. Search the DT Knowledgebase in the Support section of the Data Translation web site (at [www.datatranslation.com](http://www.datatranslation.com)) for an answer to your problem.

If you still experience problems, try using the information in [Table 17](#) to isolate and solve the problem. If you cannot identify the problem, refer to [page 74](#).

**Table 17: Troubleshooting Problems**

Symptom	Possible Cause	Possible Solution
Module is not recognized	You plugged the module into your computer before installing the device driver.	From the Control Panel > System > Hardware > Device Manager, uninstall any unknown devices (showing a yellow question mark). Then, run the setup program on your OMNI CD to install the USB device drivers, and reconnect your USB module to the computer.
Module does not respond.	The module configuration is incorrect.	Check the configuration of your device driver.
	The module is damaged.	Contact Data Translation for technical support; refer to <a href="#">page 76</a> .
Intermittent operation.	Loose connections or vibrations exist.	Check your wiring and tighten any loose connections or cushion vibration sources.
	The module is overheating.	Check environmental and ambient temperature; consult the module’s specifications on <a href="#">page 84</a> of this manual and the documentation provided by your computer manufacturer for more information.
	Electrical noise exists.	Check your wiring and either provide better shielding or reroute unshielded wiring.

**Table 17: Troubleshooting Problems (cont.)**

Symptom	Possible Cause	Possible Solution
Device failure error reported.	The DT9824 module cannot communicate with the Microsoft bus driver or a problem with the bus driver exists.	Check your cabling and wiring and tighten any loose connections.
	The DT9824 module was removed while an operation was being performed.	Ensure that your DT9824 module is properly connected.
Data appears to be invalid.	An open connection exists.	Check your wiring and fix any open connections.
	A transducer is not connected to the channel being read.	Check the transducer connections.
	The module is set up for differential inputs while the transducers are wired as single-ended inputs or vice versa.	Check your wiring and ensure that what you specify in software matches your hardware configuration; the A/D configuration should be differential.
Computer does not boot.	The power supply of the computer is too small to handle all the system resources.	Check the power requirements of your system resources and, if needed, get a larger power supply; consult the module's specifications on <a href="#">page 84</a> of this manual.

## ***Technical Support***

If you have difficulty using the DT9824 module, Data Translation's Technical Support Department is available to provide technical assistance.

To request technical support, to go our web site at <http://www.datatranslation.com> and click on the Support link.

When requesting technical support, be prepared to provide the following information:

- Your product serial number
- The hardware/software product you need help on
- The version of the OMNI CD you are using
- Your contract number, if applicable

If you are located outside the USA, contact your local distributor; see our web site ([www.datatranslation.com](http://www.datatranslation.com)) for the name and telephone number of your nearest distributor.

## ***If Your Module Needs Factory Service***

If your module must be returned to Data Translation, do the following:

1. Record the module's serial number, and then contact the Customer Service Department at (508) 481-3700, ext. 1323 (if you are in the USA) and obtain a Return Material Authorization (RMA).

If you are located outside the USA, call your local distributor for authorization and shipping instructions; see our web site ([www.datatranslation.com](http://www.datatranslation.com)) for the name and telephone number of your nearest distributor. All return shipments to Data Translation must be marked with the correct RMA number to ensure proper processing.

2. Using the original packing materials, if available, package the module as follows:
  - Wrap the module in an electrically conductive plastic material. Handle with ground protection. A static discharge can destroy components on the board.
  - Place in a secure shipping container.
3. Return the board to the following address, making sure the RMA number is visible on the outside of the box.

Customer Service Dept.  
Data Translation, Inc.  
100 Locke Drive  
Marlboro, MA 01752-1192





# ***Specifications***

Analog Input Specifications .....	80
Digital I/O Specifications .....	83
Power, Physical, and Environmental Specifications .....	84
Regulatory Specifications .....	85
Connector Specifications .....	86

## Analog Input Specifications

Table 18 lists the specifications for the A/D subsystem on the DT9824 module.

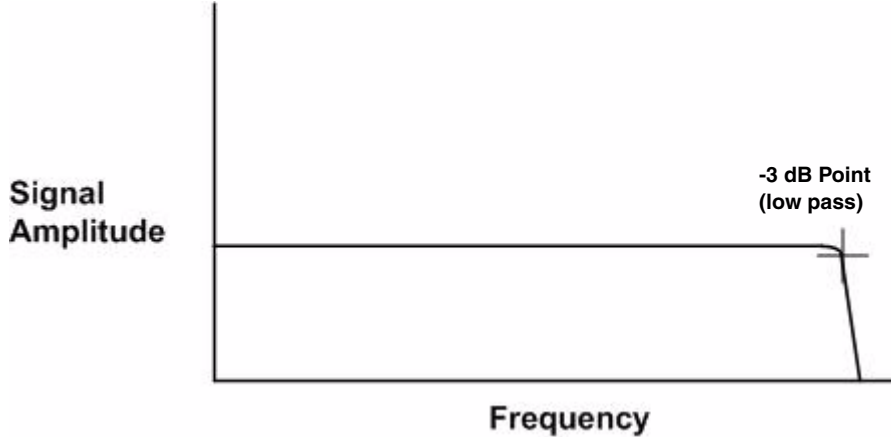
**Table 18: A/D Subsystem Specifications**

Feature	DT9824 Specifications
Number of analog inputs	4 Differential
Number of gains	4 (1, 8, 16, 32)
Resolution	24 bits
Data encoding	Offset binary
Coupling	DC
Sample frequency per channel	4.7 Hz to 4800 Hz
System accuracy @ 10 Hz (full-scale) Gain = 1: Gain = 8: Gain = 16: Gain = 32:	0.001% 0.002% 0.003% 0.005%
System accuracy @ 100 Hz (full-scale) Gain = 1: Gain = 8: Gain = 16: Gain = 32:	0.003% 0.006% 0.007% 0.012%
System accuracy @ 1200 Hz (full-scale) Gain = 1: Gain = 8: Gain = 16: Gain = 32:	0.004% 0.006% 0.008% 0.015%
System accuracy @ 4800 Hz (full-scale) Gain = 1: Gain = 8: Gain = 16: Gain = 32:	0.020% 0.024% 0.037% 0.033%
Nonlinearity (integral) Gain = 1: Gain > 1:	10 ppm full-scale maximum 20 ppm full-scale maximum
Differential linearity	±1.0 LSB (no missing codes)
Input range Gain = 1: Gain = 8: Gain = 16: Gain = 32:	±10 V ±1.25 V ±0.625 V ±0.3125 V

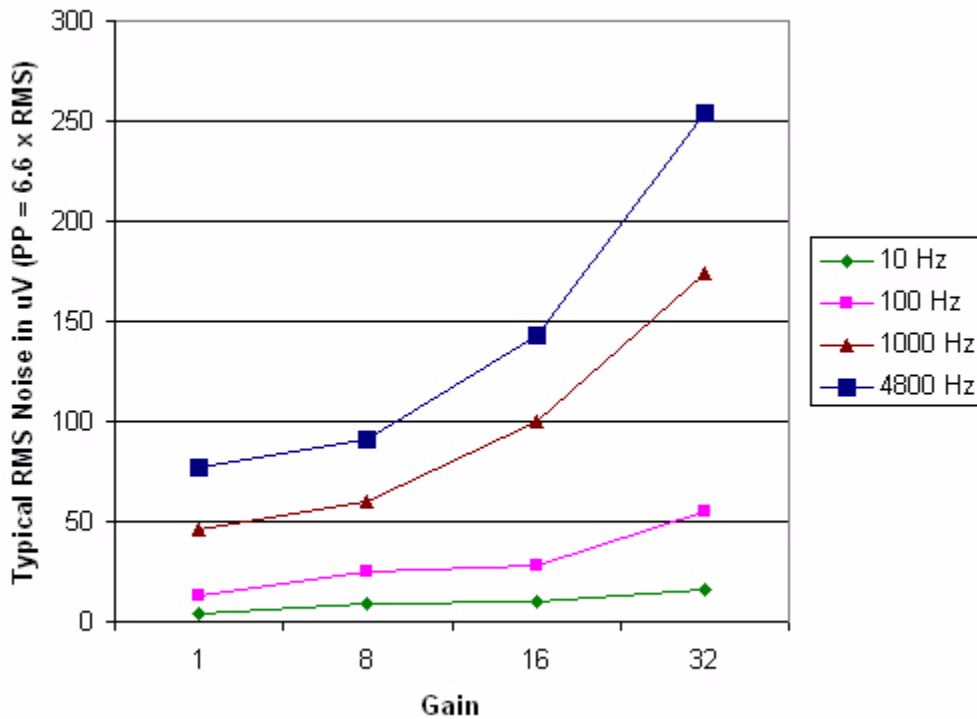
Table 18: A/D Subsystem Specifications (cont.)

Feature	DT9824 Specifications
Zero drift ≤960 Hz: > 960 Hz:	$\pm 0.1 \mu\text{V}/^\circ\text{C} \pm (0.020 \mu\text{V} \times \text{gain})/^\circ\text{C}$ $\pm 0.1 \mu\text{V}/^\circ\text{C} \pm (0.250 \mu\text{V} \times \text{gain})/^\circ\text{C}$
Gain drift	$\pm 15 \text{ ppm}/^\circ\text{C}$
Input impedance Power off: Power on:	3 k $\Omega$ 10 M $\Omega$ / 3 k $\Omega$ in series with 4700 pF
Input bias current	$\leq \pm 5 \text{ nA}$
Input noise	3.6 $\mu\text{V}$ rms @ 10 Hz sample rate
Analog input filter	10 kHz
Common mode rejection	> -150 dB
Common mode voltage	$\pm 500 \text{ V}$ maximum (operational)
Maximum input voltage	$\pm 40 \text{ V}$ maximum (protection)
Channel-to-channel offset	$\pm 40 \mu\text{V}$
System noise	3.6 $\mu\text{V}$ rms (see <a href="#">Figure 15</a> on <a href="#">page 82</a> )
DC resolution @ 10 Hz	22 bits
Effective number of bits (ENOB) @ 100 Hz with a 10 Hz, $\pm 9.9 \text{ V}$ sine wave input	18 bits
Channel crosstalk	-150 dB @ 1 kHz
Input coupling	DC
Isolation voltage	$\pm 500 \text{ V}$ to computer ground
Channel-to-channel isolation	$\pm 500 \text{ V}$
ESD protection Arc: Contact:	8 kV 4 kV
Internal reference	1.25 V $\pm 0.001 \text{ V}$
FIFO	8192 samples

**Table 18: A/D Subsystem Specifications (cont.)**

Feature	DT9824 Specifications
Frequency response, -3 dB point (low pass):	$f_{-3\text{ dB}} = 0.23 \times f_{\text{ADC}}$
	
Internal clock	$\pm 100$ ppm maximum (typical initial $\pm 25$ ppm) <sup>a</sup>
Warm-up time	1 hour

a. This clock is derived from the crystal oscillator. The specification includes initial tolerance, power supply variations, temperature drift, and 1 year stability.



**Figure 15: System Noise Specification**

## Digital I/O Specifications

Table 19 lists the specifications for the digital input (DIN) and digital output (DOU) subsystems on the DT9824 module.

**Table 19: Digital I/O Specifications**

Feature	DT9824 Specifications
Number of digital I/O lines	16 (8 Isolated Inputs, 8 Isolated Outputs)
Number of ports	2, 4-bit (1 In, 1 Out)
Inputs Input type: High input voltage: Low input voltage: High input current: Low input current: Termination:	DC +3 to +28 V < +1.5 V 2.2 k $\Omega$ resistor to 1.2 V 2.2 k $\Omega$ resistor to 1.2 V Series 2.2 k $\Omega$
Outputs Output type: Output driver: High output: Low output: Breakdown voltage: Contact impedance:	Solid-state relay CMOS $\pm 30$ V 0.4 V @ 400 mA $\pm 60$ V 1 $\Omega$
Isolation voltage To computer ground: Channel to channel	$\pm 500$ V $\pm 250$ V <sup>a</sup>

- a. Determined by the pin spacing in the 37-pin digital connector. For greater channel-to-channel isolation, use every other digital I/O line; using every other digital I/O line allows  $\pm 500$  V isolation channel-to-channel.

## Power, Physical, and Environmental Specifications

Table 20 lists the power, physical, and environmental specifications for the DT9824 module.

**Table 20: Power, Physical, and Environmental Specifications**

Feature	DT9824 Specifications
Power +5 V Standby: +5 V Enumeration: +5 V Power ON: Power Consumption:	500 $\mu$ A maximum 100 mA maximum (75 mA typical) 500 mA maximum (420 mA typical) 425 mA current draw
Physical Dimensions Width: Length: Height: Weight:	8.380 inches (212.85 mm) 9.319 inches (236.7 mm) 1.720 inches (43.69 mm) 31 ounces (880 g)
Environmental Operating temperature range: Storage temperature range: Relative humidity:	0° C to 55° C -25° C to 85° C To 95%, noncondensing

## Regulatory Specifications

Table 21 lists the regulatory specifications for the DT9824 module.

**Table 21: Regulatory Specifications**

Feature	DT9824 Specifications
Emissions (EMI)	FCC Part 15, EN55022:1994 + A1:1995 + A2:1997 VCCI, AS/NZS 3548 Class A
Immunity	EN61000-6-1:2001
RoHS (EU Directive 2002/95/EG)	Compliant (as of July 1st, 2006)

## Connector Specifications

Table 22 lists the cable and connector specifications for the DT9824 module.

**Table 22: DT9824 Cable and Connector Specifications**

Feature	DT9824 Specifications
USB cable	2-meter, Type A-B, USB cable Data Translation part#17394 or AMP part# 974327-1
4-position Screw terminal block	Header: Phoenix Contact 1803293 Plug: Phoenix Contact 1803594
37-pin Digital I/O connector Connector on module: Mating connector:	37-pin D, AMP part# 5747847-4 AMP/Tyco part# 5-747916-2

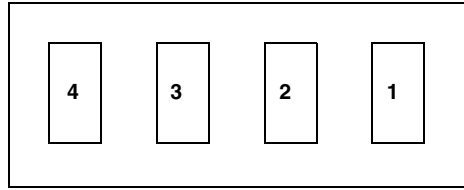


## ***Connector Pin Assignments***

Analog Input Screw Terminals .....	88
Digital I/O Connector .....	89
USB Connector .....	90

## Analog Input Screw Terminals

Figure 16 shows the terminal blocks for each analog input channel on the DT9824 module.



**Figure 16: Screw Terminals of the Analog Input Channels**

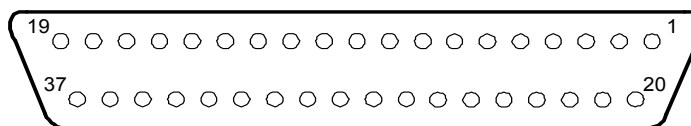
Table 23 summarizes the screw terminal assignments.

**Table 23: Screw Terminal Assignments for the Analog Input Channels**

Screw Terminals	Signal Description
1	Analog Input +
2	Not Connected
3	Analog Input –
4	Analog Ground

## Digital I/O Connector

Figure 17 shows the pin locations of the digital I/O connector on the DT9824 module.



**Figure 17: Digital I/O Connector**

Table 24 lists the pin assignments of the digital I/O connector.

**Table 24: Digital I/O Connector Pin Assignments**

Pin	Signal Description	Pin	Signal Description
1	Digital Input 0 +	20	Digital Input 0 –
2	Digital Input 1 +	21	Digital Input 1 –
3	Digital Input 2 +	22	Digital Input 2 –
4	Digital Input 3 +	23	Digital Input 3 –
5	Digital Input 4 +	24	Digital Input 4 –
6	Digital Input 5 +	25	Digital Input 5 –
7	Digital Input 6 +	26	Digital Input 6 –
8	Digital Input 7 +	27	Digital Input 7 –
9	Not Connected	28	Not Connected
10	Digital Output 0	29	Digital Output 0
11	Digital Output 1	30	Digital Output 1
12	Digital Output 2	31	Digital Output 2
13	Digital Output 3	32	Digital Output 3
14	Digital Output 4	33	Digital Output 4
15	Digital Output 5	34	Digital Output 5
16	Digital Output 6	35	Digital Output 6
17	Digital Output 7	36	Digital Output 7
18	External Trigger +	37	External Trigger –
19	Not Connected		

**Note:** The outer shell of the connector provides the cable shield to chassis ground.

## USB Connector

Figure 18 shows the pin locations of the USB connector on the DT9824 module.

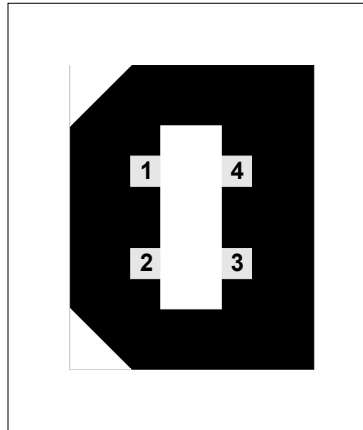


Figure 18: USB Connector

Table 25 lists the pin assignments of the digital I/O connector.

Table 25: USB Connector Pin Assignments

Pin	Signal Description	Pin	Signal Description
1	USB +5 V	3	USB Data +
2	USB Data –	4	USB Ground

## A

- A/D sample clock 50
- A/D subsystem, specifications 80
- A/D trigger 51
- accessories 16
- aliasing 51
- analog input features
  - A/D sample clock 50
  - adding a digital input port to the channel list 50
  - channel list 49
  - channels 49
  - conversion modes 51
  - data format 52
  - data transfer 53
  - differential channels 32
  - error conditions 53
  - gain 50
  - input ranges 50
  - resolution 50
  - specifications 80
  - testing continuous operations 41
  - testing single-value operations 40
  - triggers 51
  - wiring voltage inputs 32
- application wiring
  - digital inputs 34
  - digital outputs 35
  - voltage inputs 32

## B

- base clock frequency 64
- BaseClockFrequency 64
- binary encoding 52, 60
- buffers 60
  - inprocess flush 60

## C

- C/C++ programs 15
- cables
  - EP333 16, 33
  - EP365 24, 25
- calibration 68
- CGLDepth 61
- channel list

- for analog input channels 49
- for digital input port 50
- channel type
  - differential 61
  - single-ended 61
- channel-gain list depth 61
- channels
  - analog input 49
  - digital I/O 54
  - number of 61
- clocks
  - base frequency 64
  - internal 64
  - maximum external clock divider 64
  - maximum throughput 64
  - minimum external clock divider 64
  - minimum throughput 64
- connecting signals
  - digital inputs 34
  - digital outputs 35
  - voltage inputs 32
- connecting to the host computer
  - directly 24
  - using a self-powered USB hub 25
- continuous analog input 59
- continuous digital input 55
- continuous wrap mode 52
- conversion modes 51
  - digital I/O 55
  - single-value analog input 51
- conversion rate 51
- counter/timer
  - channels 61
  - clock sources 64
- customer service 77

## D

- DAQ Adaptor for MATLAB 15
- data encoding 60
- data flow modes
  - continuous analog input 59
  - single-value 59
- data transfer 53
- DataAcq SDK 15

- description of the functional subsystems
  - A/D [49](#)
  - digital I/O [54](#)
- device driver [15](#)
- differential channels [61](#)
- digital I/O features
  - adding a digital input port to the analog input channel list [50](#)
  - channel-to-channel isolation [55](#)
  - connecting input signals [34](#)
  - connecting output signals [35](#)
  - lines [54](#)
  - operation modes [55](#)
  - resolution [55](#)
  - specifications [83](#)
  - testing input operations [42](#)
  - testing output operations [43](#)
- digital trigger [51](#)
- DT9824 Calibration Utility [15](#)
- DT9824 Device Driver [15](#)
- DT-Open Layers for .NET Class Library [15](#)
- DTx-EZ [15](#)

## E

- encoding [52](#)
- environmental specifications [84](#), [86](#)
- EP333 cable [16](#), [33](#)
- EP365 cable [24](#), [25](#)
- EP379 single rack-mount kit [16](#)
- EP380 dual rack-mount kit [16](#)
- errors, analog input [53](#)
- external clock divider
  - maximum [64](#)
  - minimum [64](#)
- external digital trigger [51](#)
  - negative [64](#)
  - positive [64](#)

## F

- factory service [77](#)
- features [14](#)
- formatting data [52](#)
- frequency
  - base clock [64](#)
  - internal A/D clock [64](#)
  - internal A/D sample clock [64](#)
  - internal C/T clock [64](#)
  - internal retrigger clock [60](#)

## G

- gain
  - actual available [61](#)
  - analog input [50](#)
  - number of [61](#)
  - programmable [61](#)

## H

- help [73](#)
- help, online [39](#)
- high drive digital outputs [35](#)
- hot-swapping [25](#), [26](#)

## I

- inprocess buffers [60](#)
- input configuration [32](#)
- input ranges [50](#)
- internal clock [64](#)

## L

- LabVIEW [15](#)
- LV-Link [15](#)

## M

- MATLAB [15](#)
- MaxDifferentialChannels [61](#)
- MaxExtClockDivider [64](#)
- MaxFrequency [64](#)
- MaxMultiScanCount [60](#)
- MaxRetriggerFreq [60](#)
- MaxSingleEndedChannels [61](#)
- Measure Foundry [15](#)
- mechanical relays, controlling [35](#)
- MinExtClockDivider [64](#)
- MinFrequency [64](#)
- MinRetriggerFreq [60](#)
- module specifications [84](#), [86](#)
- multiple channels, analog input [49](#)

## N

- no wrap mode [52](#)
- number of
  - differential channels [61](#)
  - gains [61](#)
  - I/O channels [61](#)
  - resolutions [62](#)

scans per trigger [60](#)  
 single-ended channels [61](#)  
 voltage ranges [62](#)  
 NumberOfChannels [61](#)  
 NumberOfRanges [62](#)  
 NumberOfResolutions [62](#)  
 NumberOfSupportedGains [61](#)  
 Nyquist Theorem [51](#)

## O

offset binary encoding [52](#), [60](#)  
 online help [39](#)  
 operation modes  
   continuous digital input [55](#)  
   single-value analog input [51](#)  
   single-value digital I/O [55](#)  
 orderly stop [51](#)

## P

physical specifications [84](#), [86](#)  
 power specifications [84](#), [86](#)

## Q

Quick DataAcq [15](#)  
   running [39](#)  
 quickDAQ application [15](#)

## R

rack-mount kits [16](#)  
 ranges  
   analog input [50](#)  
   number of [62](#)  
 resolution [55](#)  
   analog input [50](#)  
   available [62](#)  
   number of [62](#)  
 retrigger clock frequency [60](#)  
 returning modules to the factory [77](#)  
 RMA [77](#)  
 running the Quick DataAcq application [39](#)

## S

scan [52](#)  
 screw terminal assignments [32](#)  
 screw terminal panel [16](#), [33](#)  
 SDK [15](#)

service and support procedure [76](#)  
 simultaneous start list [59](#)  
 single channel analog input [49](#)  
 single-ended channels [61](#)  
 single-value operations [59](#)  
   analog input [51](#)  
   digital I/O [55](#)  
 size, module [84](#)  
 software supported [15](#)  
 software trigger [51](#), [64](#)  
 solid-state relays, controlling [35](#)  
 sourcing [35](#)  
 specifications [79](#)  
   analog input [80](#)  
   digital I/O [83](#)  
   environmental [84](#), [86](#)  
   physical [84](#), [86](#)  
   power [84](#), [86](#)  
   regulatory [85](#)  
 stopping an operation [51](#)  
 STP37 screw terminal panel [16](#), [33](#)  
 subsystem descriptions  
   A/D [49](#)  
   digital I/O [54](#)  
 SupportedGains [61](#)  
 SupportedResolutions [62](#)  
 SupportedVoltageRanges [62](#)  
 SupportsBinaryEncoding [60](#)  
 SupportsBuffering [60](#)  
 SupportsContinuous [59](#)  
 SupportsDifferential [61](#)  
 SupportsInProgressFlush [60](#)  
 SupportsInternalClock [64](#)  
 SupportsNegExternalTTLTrigger [64](#)  
 SupportsPosExternalTTLTrigger [64](#)  
 SupportsProgrammableGain [61](#)  
 SupportsSimultaneousStart [59](#)  
 SupportsSingleEnded [61](#)  
 SupportsSingleValue [59](#)  
 SupportsSoftwareTrigger [64](#)

## T

technical support [76](#)  
 throughput  
   maximum [64](#)  
   minimum [64](#)  
 transferring data [53](#)  
 triggered scan  
   number of scans per trigger [60](#)  
   retrigger frequency [60](#)

- triggers [51](#)
  - external [51](#)
  - external negative digital [64](#)
  - external positive digital [64](#)
  - software [51](#), [64](#)
- troubleshooting
  - procedure [74](#)
  - service and support procedure [76](#)
  - troubleshooting table [74](#)
- TTL trigger [51](#)

## U

- unpacking [23](#)
- USB cable [24](#), [25](#)

## V

- Visual Basic for .NET programs [15](#)
- Visual Basic programs [15](#)
- Visual C# programs [15](#)
- Visual C++ programs [15](#)
- voltage ranges [50](#), [62](#)
  - number of [62](#)

## W

- wiring signals
  - digital inputs [34](#)
  - digital outputs [35](#)
  - voltage inputs [32](#)
- writing programs in
  - C/C++ [15](#)
  - Visual Basic [15](#)
  - Visual Basic .NET [15](#)
  - Visual C# [15](#)
  - Visual C++ [15](#)