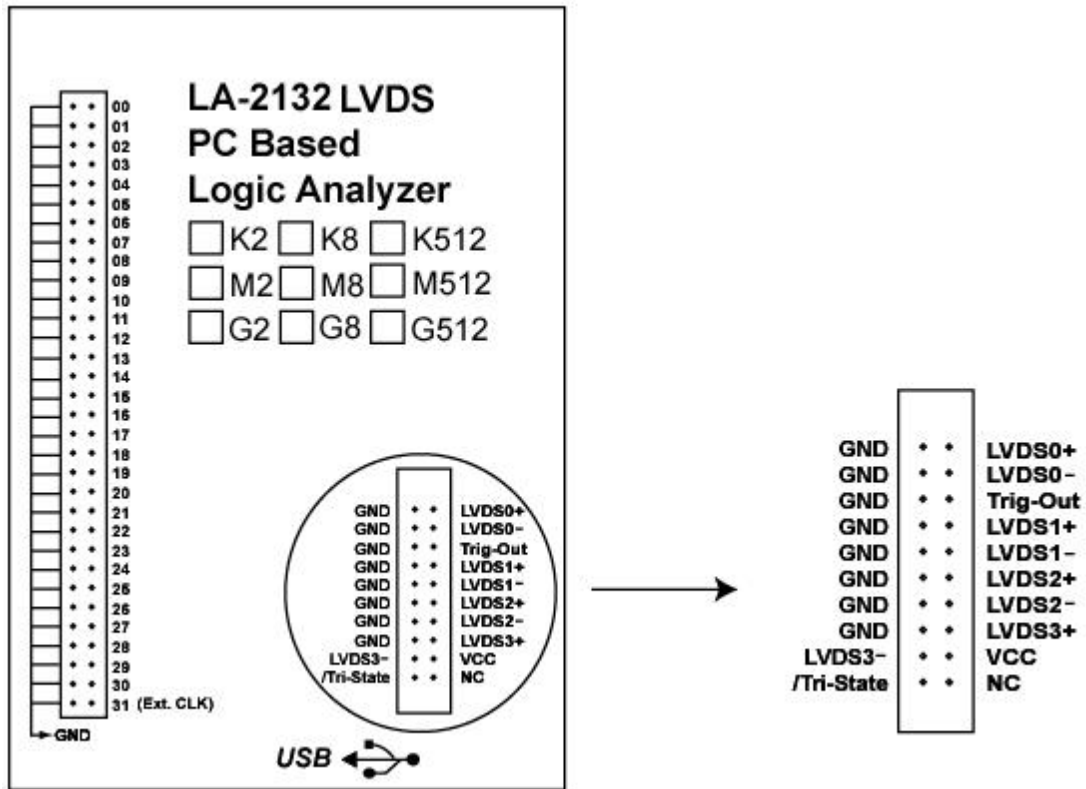
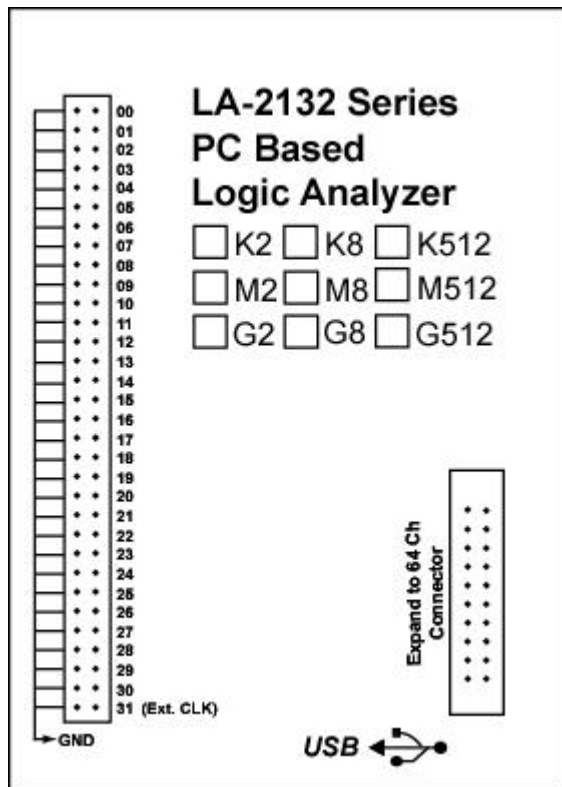


I/O Pin Location

LA-2132-LVDS: (32 channels only, can't expand to 64 channels).



LA-2132 Series: (Expand to 64 channels is available, without support LVDS).



Expand To 64 Channels

The LA-2132 Series can be Expanded to 64 Channels by use one 20 pin flat cable from #1 LA-2132 connect to #2 LA-2132, (it only support 32 channels trigger word even it is 64 channels now).

