

# TPC-1250H

12.1" SVGA TFT LCD Intel® Atom™  
Thin Client Computer



## Features

- Intel® Atom™ processor (up to 1.6 GHz) on board
- 12.1" SVGA TFT LCD
- Fanless cooling system
- NEMA4/IP65 compliant front panel
- Supports Microsoft® Windows XP/XPe/CE
- Windows CE 5.0/6.0 with Java Script ready
- Supports Linux OS with Firefox and Java Script plugins
- Gigabit Ethernet supported
- Energy Star approval

## Introduction

With a high quality TPC product line, TPC extends its Touch Panel Computer family with Intel® Atom™ platform for 5.7", 12.1" & 15". TPC-1250H is designed with Intel® Atom™ 1.6 GHz processor as its core. The Intel Atom has low power consumption and 1.6 GHz operating frequency. This system is fanless, slim design for Web-based terminal solutions, so JavaScript is included in the Windows operating system. For Linux systems, we provide Mozilla Firefox.

## Specifications

### General

- **BIOS** Award® 4 MB
- **Certifications** BSMI, CCC, CE, FCC, UL
- **Cooling System** Fanless design
- **Dimensions (W x H x D)** 311 x 237 x 54 mm (12.24" x 9.33" x 2.12")
- **Enclosure** Front bezel: Die-cast Aluminum alloy  
Back housing: SECC
- **Mounting** Desktop, Wall or Panel Mount
- **OS Support** Windows XP/XPe  
Windows CE 5.0/6.0 with Java Script  
Linux with Firefox explorer and Java Script plugin
- **Power Consumption** 35 W (typical)
- **Power Input** 18 ~ 28 V<sub>DC</sub>
- **Watchdog Timer** 1 ~ 255 sec (system)
- **Weight (Net)** 2.5 kg (5.51 lb)

### System Hardware

- **CPU** Intel Atom 1.6 GHz
- **Chipset** Intel 945GSE + ICH7M
- **Memory** 1GB SO-DIMM DDR2 533 SDRAM  
Up to 2GB (One channel)
- **LAN** 10/100/1000Base-T x 1
- **Storage** CompactFlash® slot x 1
- **I/O** RS-232 x 2 (COM1, 2)  
USB 2.0 x 2 (Host)  
PS/2 x 1

### LCD Display

- **Display Type** SVGA TFT LCD
- **Display Size** 12.1"
- **Max. Resolution** 800 x 600
- **Max. Colors** 262 K
- **Luminance cd/m<sup>2</sup>** 450
- **Viewing Angle (H/V°)** 160/140
- **Backlight Life** 50,000 hrs
- **Contrast Ratio** 700 : 1

### Touchscreen

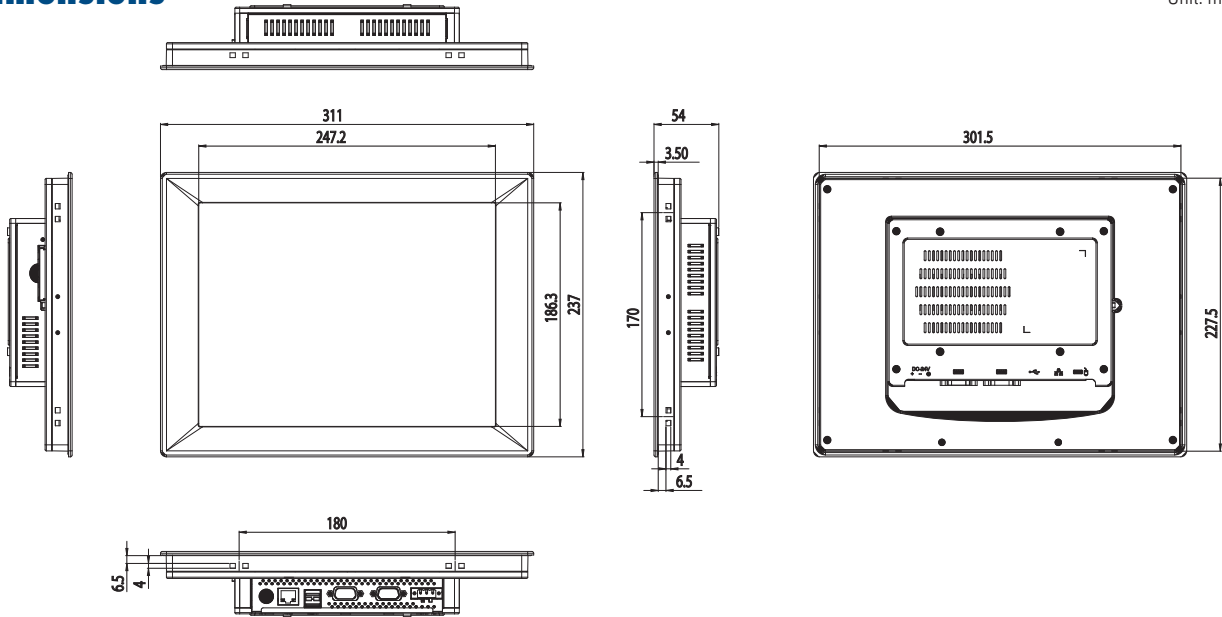
- **Lifespan** 1 million touches at single point
- **Light Transmission** Above 75%
- **Resolution** Linearity
- **Type** 5-wire, analog resistive

### Environment

- **Humidity** 10 ~ 95% RH @ 40° C, non-condensing
- **Ingress Protection** Front panel: NEMA4, IP65
- **Operating Temperature** 0 ~ 45° C (32 ~ 113° F)
- **Storage Temperature** -20 ~ 60° C (-4 ~ 140° F)
- **Vibration Protection** 2 Grms (5 ~ 500 Hz)  
(Operating, random vibration)

## Dimensions

Unit: mm

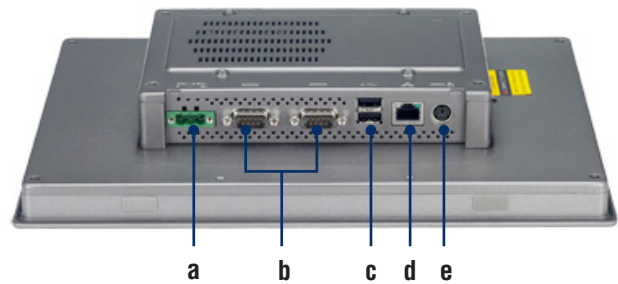


Panel Cut-out Dimensions: 302.5 x 228.5 mm

## Ordering Information

- **TPC-1250H-N2AE** 12" SVGA Touch Panel PC, Atom N270 1.6 GHz, 1 GB
- **PWR-247-AE** 24 V 50 W AC-DC Power Adapter

## Rear View



- a. Power Receptor
- b. COM (RS-232)
- c. USB 2.0
- d. LAN (10/100/1000)
- e. PS/2