

IPC-603MB

2U 3-slot Rackmount Chassis for ATX/ MicroATX Motherboard with Front I/O



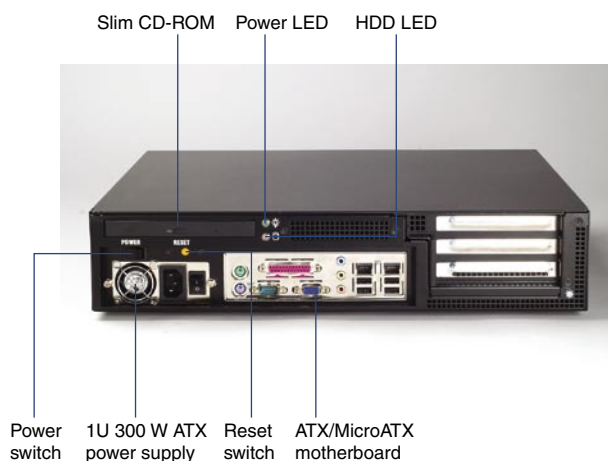
Features

- The best embedded computing system for machinery applications
- Streamlined in-chassis airflow design supporting LGA775 Pentium® 4 CPU up to 3.8 GHz with suggested CPU cooler
- All I/O interfaces are in the front
- Shock resistant disk drive bay design to hold one slim CD-ROM and one internal 3.5" HDD
- Equipped with 1U-high 300 W ATX PFC power supply
- Easy-to-replace air filters

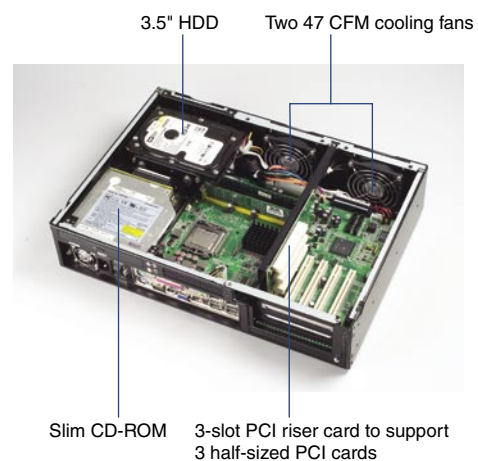


Specifications

Drive Bay	Slim CD-ROM	Front-accessible	Internal
	3.5"	1	-
Cooling	Fan	2 (47 CFM each)	-
	Air Filters	3 (85 x 80 mm)	1
Miscellaneous	Notification LEDs	PWR & HDD (internal)	-
	Riser Card (9696070000)*	Supports up to three half-sized PCI add-in cards	-
Environment	Operating Temperature	0 ~ 40° C (32 ~ 104° F)	Non-Operating -20 ~ 60° C (-4 ~ 140° F)
	Humidity	10 ~ 85% @ 40° C, non-condensing	10 ~ 95% @ 40° C, non-condensing
	Vibration (5 ~ 500 Hz)	1 Grms	2 G
	Shock	10 G (with 11 ms duration, half sine wave)	30 G
	Acoustic Noise	Less than 52 dB sound pressure at 5 ~ 28° C (41 ~ 82° F)	-
	Altitude	0 to 3,048 m (0 ~ 10,000 ft)	-
	Physical Characteristics	Dimensions (W x H x D)	482 x 88 x 310 mm (19" x 3.46" x 12.2")
	Weight	8 kg (17.6 lb)	

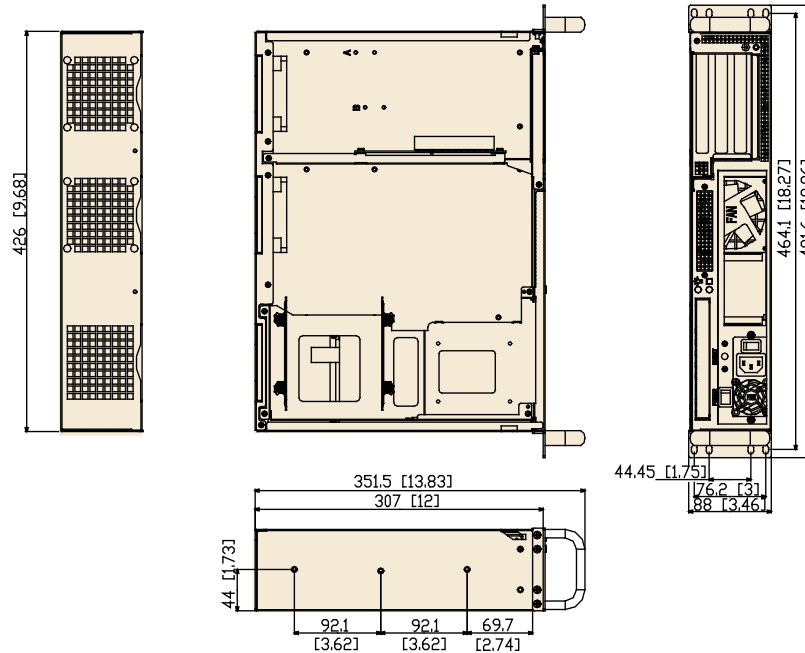


The front view of IPC-603MB



The inside view of IPC-603MB

Dimensions



Unit: mm (inch)

Power supply

Part Number				Specifications		
	Watt	Input	Output	Mini-load	Safety	MTBF
1757000160G (ATX, PFC)	300 W	AC 100 ~ 240 V (full-range)	+5 V @ 25 A, +3.3 V @ 14 A +12 V @ 16 A, -12 V @ 1 A -5 V @ 0.5 A, +5 Vsb @ 2 A	+5 V @ 3 A, +12 V @ 2 A -5 V @ 0.05 A, -12 V @ 0.05 A +3.3 V @ 1 A, +5 Vsb @ 0.1 A	UL/TUV/CB/CCC	100,000 hours @ 25° C

Accessories

Part Number	Description
96SCOM-24X8X-TE-B1	Black slim 24X/8X/24X DVDRW-ROM
96SCD-24X-I-OD-B	Black slim 24X CD-ROM
1750000257	2U-high Socket 478 P4 CPU cooler up to 3.2 GHz (89 W)
1750000332	2U-high LGA775 P4 CPU cooler up to 3.8 GHz
1759200650	Fan 80 x 80 x 25 mm
1990001176	Fan filter 80 x 85 x 5 mm

Ordering Information

Part Number	Power Supply	Motherboard	Regulation
IPC-603MB0-30ZE	1757000160G	-	CE

Riser Card Options

Model Name	Interface	Expansion Slot	Motherboard
AIMB-R430P-03A1E	PCIe x4	three PCI	AIMB-762/554
AIMB-RP30P-03A1E	PCI	three PCI	AIMB-750/744/742/740/560
AIMB-RH31P-12A1E	PCI+ PCIe x1	two PCI + one PCIe x1	AIMB-760

* The riser cards are specially designed to support all Advantech AIMB series motherboards except AIMB-562 & AIMB-542.

AIMB-763

LGA775 Core 2 Duo/Pentium 4/Celeron® D Processor-based ATX with DDR2/PCIe/Dual GbE LAN

NEW



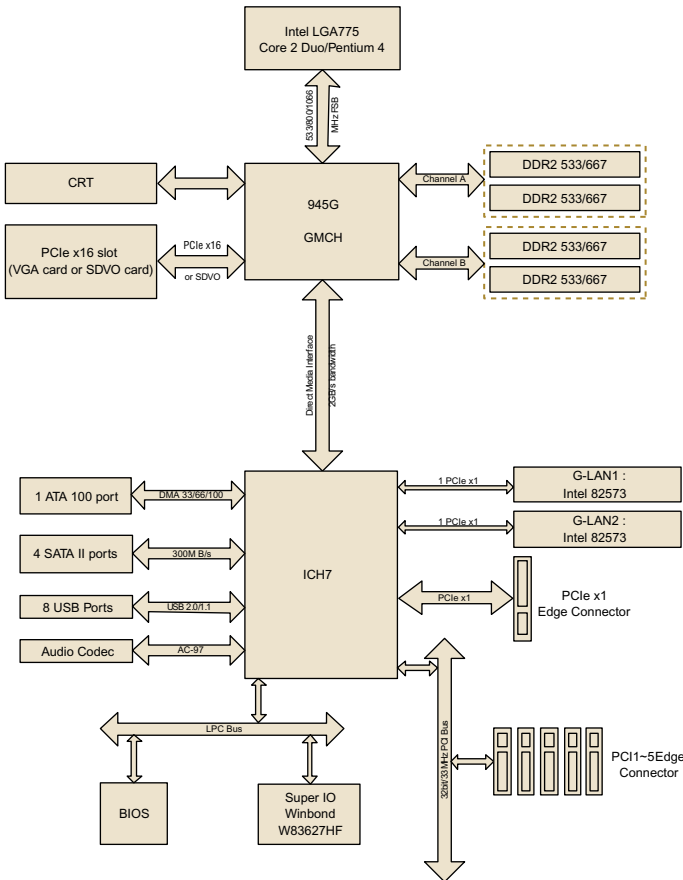
Features

- Supports Core 2 Duo FSB 800/1066 MHz
- Dual channel DDR2 533/667 SDRAM up to 4 GB
- Chipset integrated VGA sharing 224 MB system memory
- PCIe x16 slot for VGA card
- Supports 10/100/1000Base-T Ethernet via dedicated PCIe x 1 bus

Specifications

Processor System	CPU	Core 2 Duo	Intel Pentium 4	Intel Celeron D
	Max. Speed	2.66 GHz (Dual-core)	3.8 GHz	3.06 GHz
	L2 Cache	4 MB	2 MB/1 MB	512KB/256KB
	Chipset	Intel 945G + ICH7		
	BIOS	Award 8 Mb FWH		
	Front Side Bus	533/800/1066 MHz		
Expansion Slot	PCIe x16	4.0 GB/s per direction, 1 slot		
	PCIe x1	1.0 GB/s per direction, 1 slot		
	PCI	32-bit/33MHz, 5 slots		
Memory	Technology	Dual channel DDR2 533/667 MHz		
	Max. Capacity	4 GB		
	Socket	240-pin DIMM x 4		
Graphic	Embedded	Chipset integrated VGA controller sharing 224 MB system memory		
	Add-on	PCIe x16 slot		
Ethernet	Interface	10/100/1000 Base-T		
	Controller	G-LAN1: Intel 82573 G-LAN2: Intel 82573 (2 PCIe x1)		
	Connector	RJ45 with LED connector x 2		
SATA II	Max. Data Transfer Rate	300 MB/s		
	Channel	4		
EIDE	Mode	ATA 100/66/33		
	Channel	1 (Max. 2 devices)		
I/O Interface	VGA	1		
	USB	Max. 8 (USB 2.0 compliant), 4 ports on board		
	Audio	3 (LINE-Out, LINE-In, and MIC-In)		
	Serial	2 (for VG version); 4 (for G2 version). COM2 supports RS-232/422/285		
	Parallel	1 (SPP/EPP/ECP)		
	FDD	1		
	PS/2	2		
	GPIO	N/A		
Watchdog Timer	Output	Interrupt, system reset		
	Interval	Programmable 1 ~ 255 sec		
Power Requirement	Typical	Pentium 4 3.8 GHz (800 MHz FSB), 4 x 1 GB DDR2 667 SDRAM		
		+5 V	+3.3 V	+12 V
		3.10 A	1.54 A	9.90 A
Environment		Operating		Non-Operating
	Temperature	0 ~ 60 °C (32 ~ 140 °F), depends on CPU's speed and cooler solution.		-20 ~ 70 °C (-40 ~ 158 °F)
Physical Characteristics	Dimensions (W x D)	304.8 x 244 mm (12" x 9.6")		

Block Diagram



Ordering Information

Part Number	Embedded VGA	PCIe x16 for VGA	Gigabit LAN
AIMB-763VG-00A1E	Yes	Yes	Single
AIMB-763G2-00A1E	Yes	Yes	Dual

* AIMB-763G2-00A1E requires minimum order quantity of 300 pcs.

Bracket View



AIMB-763VG-00A1E



AIMB-763G2-00A1E

Packing List

Description	Quantity
FDD cable	X 1
IDE HDD cable	X 1
Serial ATA HDD data cable	X 2
Serial ATA HDD power cable	X 2
COM port cable kit	X 1
I/O port bracket	X 1
Startup manual	X 1
Utility CD	X 1

Accessories

Part Number	Description
1750000334	LGA775 CPU cooler up to 3.8 GHz (115 W), 4U, 5U and 7U chassis