

UbiQ-480

7" Residential Terminal



Features

- 7" TFT LCD with Touchscreen
- RISC base platform with Fan-less Design
- Ideal for Access & Scenario Control
- High performance platform with FreeScale i.MX31
- Built-in Microphone, Speaker, echo canceller, IR receiver
- 1.3M Pixels CMOS Camera
- Intercom compatible/ Six programmable function keys
- Support VESA Standard
- Microsoft Windows® CE 5.0
- Advantech SUSI API manager is supported for easy SI development
- Various Faceplate (by Request)
- PoE Power(Power over Ethernet)/WiFi 802.11 b/g (Optional)

Introduction

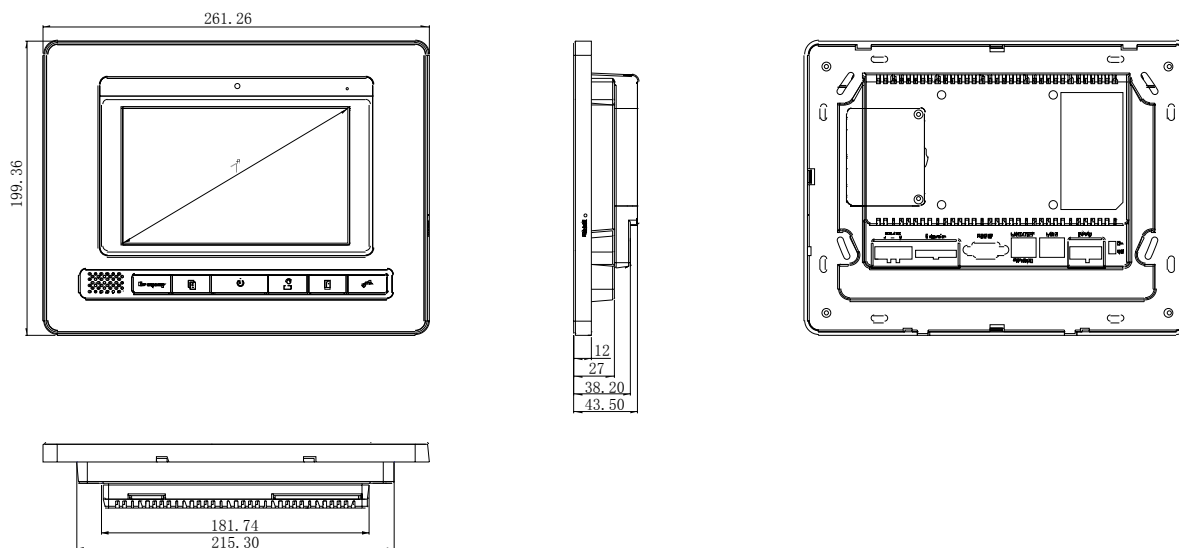
The UbiQ-480 is a smart wall-mount touch terminal for eHome/Building. Multimedia and entertainment are main features of UbiQ-480 because of built-in powerful FreeScale i.MX31 CPU and Microsoft Windows® CE 5.0. Touch screen and 7" true color TFT LCD let the interaction between life and UbiQ-480 become more natural and colorful. The UbiQ-480 can easily communicate with intercom devices by built-in speaker, microphone, line-in and line-out connectors. Meanwhile, two Lan ports design can make the internet security control be easier to manage. IR receiver and WiFi function make the UbiQ-480 has more remote control capability. Furthermore, the elegant outlook with slim faceplate which protrudes only 8.0 mm from the wall make the UbiQ-480 be more suitable for home environment. Peripheral interface become easy because of rich I/O interface such as LAN, RS-232, RS-485, USB and DI/O.

Specifications

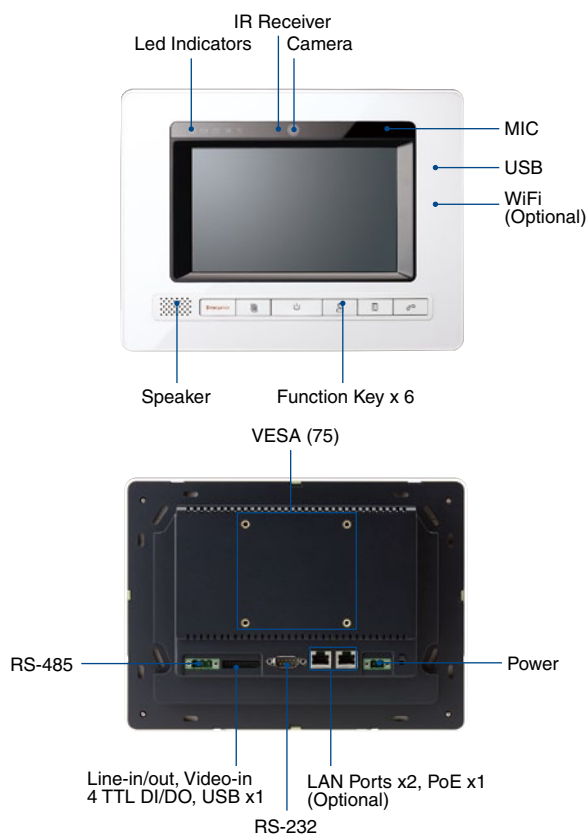
Model Name	UbiQ-480	
Processor	Freescale i.MX31 523 MHz	
Memory	Module Type	Size
OS Support	Windows CE 5.0	
Display	Size/Type	7" TFT color LCD
	Max. Resolution	800 x 480
	Brightness (cd/m ²)	320 cd/m ²
	Viewing Angle	160/160
	Brightness Control	PWM
VGA	Chipset	CPU build-in
Storage / Type	NAND 256 MB flash on board, SD Slot (optional, up to 2GB)	
I/O Port	Rear I/O	RS-232 x1, RS-485 x1, Video-in connector x1, USB2.0 x1, Line-in/out x1, 1 x 4 TTL level DI, 4 TTL level DO
	Front I/O	USB2.0 Host x1 (Below Cover)
Mechanical	Mounting Type	Wall Mounting/VESA Standard
	Dimension	261.26 x 199.36 x 43.5 mm (W x H x D)
Camera	1.3M Pixels CMOS camera	
Hot Key	Six programmable function keys	
LED	6	
RF wireless	IR receiver x 1	
Network (LAN)	10/100 Base-T Ethernet (RJ-45) x 2	
Audio	Chipset	WOLFSON_WM8750
	SPK / MIC	Speaker x1 output / Microphone x1 input
Power	Output Rating	12 ~ 24 V _{DC} , 2 A
	Input Voltage	100 ~ 240 V _{AC}
	Battery	-
Touchscreen	Technology	Resistive (controller)
	Touch Life Cycle	10 million touches
Temperature	Operation	0 ~ 40° C
	Storage	-20° C ~ 60° C
Certificate	CE/FCC Class B, CCC, BSMI, UL	

Dimensions

Unit: mm



I/O Placement



Ordering Information

Part Number	Description
UBIQ-480-ENWOLE	English OS, White
UBIQ-480-ENSOLE	English OS, Silver
UBIQ-480-ENBOLE	English OS, Black
UBIQ-480-ENWPWE	English OS, White, PoE & WiFi
UBIQ-480-ENWAVE	English OS, White, Adpter & WiFi
UBIQ-480-ENWCWE	English OS, Adpter, PoE & WiFi
UbiQ-480-BRACKETE	Bracket for UbiQ-480
UbiQ-480-WALLBOXE	Wall-Box for UbiQ-480

*OS supports English, Simplified & Traditional Chinese.

Optional List

Description	Quantity
WiFi Module	1
PoE Module	1
Wall-Box	1
Bracket	1
Adapter	1

Packing List

Description	Quantity
UbiQ-480 Unit	1
User Note & License	1
Connector	2

UbiQ-480K

7" Residential Terminal



Features

- 7" TFT LCD with touchscreen
- RISC base platform with Fan-less Design
- Ideal for Access & Scenario Control
- High performance platform with FreeScale i.MX31
- Built-in microphone, speaker, echo canceller, IR receiver
- Intercom compatible
- Supports VESA standards
- Microsoft Windows® CE 5.0
- Advantech SUSI API manager is supported for easy SI development
- Various faceplates (by request)
- PoE Power(Power over Ethernet)/WiFi 802.11 b/g (Optional)

Introduction

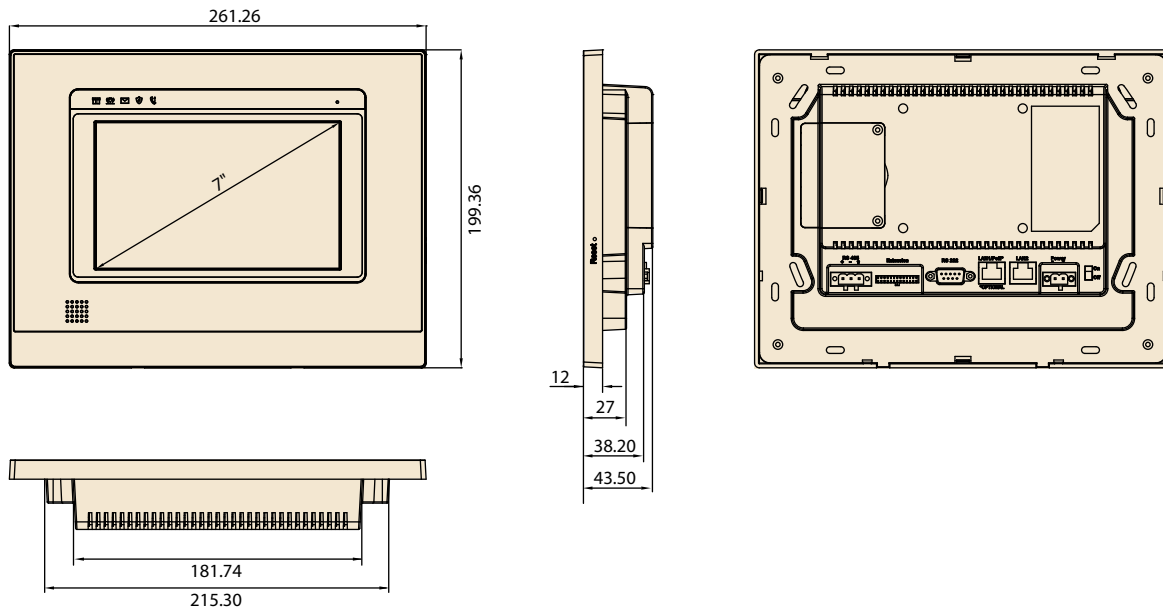
UbiQ-480K is a RISC-based multi-function touch terminal with a 7" TFT screen. The sophisticated system design doesn't need any fans. It is designed with the system integrator in mind, combining more applications together: energy reservation, varied scenario control, environmental temperature control, advertisement signage display, and home automation. With one touch, you can integrate and control your own applications from anywhere. The Win CE operating system delivers all the features of an embedded system. It supports Advantech's UbiQ Package Application Development Suite which assists system integrators in minimizing time-to-market application development.

Specifications

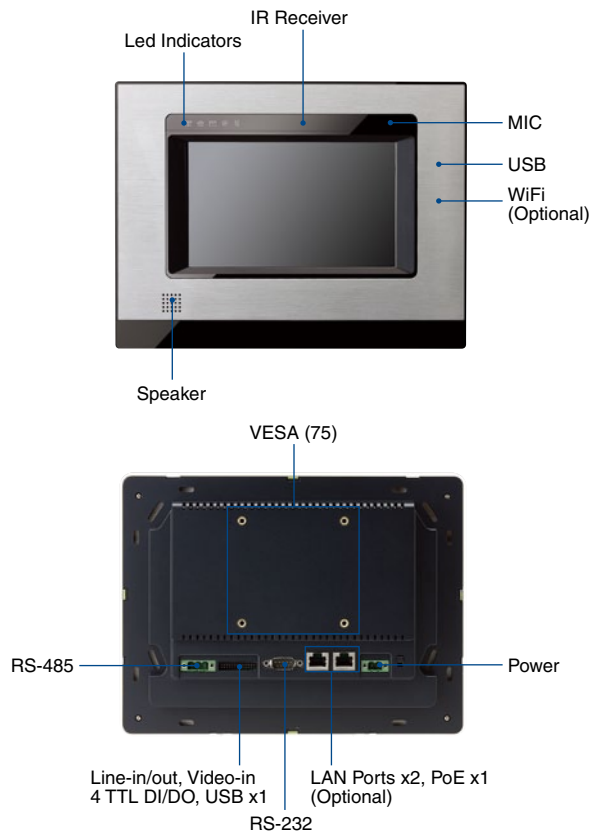
Processor		Freescall i.MX31 523 MHz
Memory	Module Type Size	Mobile DDR 256 MB
OS Support		Windows CE 5.0
Display	Size/Type	7" TFT color LCD
	Max. Resolution	800 x 480
	Brightness (cd/m ²)	320 cd/m ²
	Viewing Angle	160/160
	Brightness Control	PWM
VGA	Chipset	CPU built-in
Storage / Type		NAND 256 MB flash on board, SD Slot (optional, up to 2 GB)
I/O Ports	Rear I/O	RS-232 x1, RS-485 x1, Video-in connector x1, USB 2.0, Line-in/out x1, 1 x 4 TTL level DI, 4 TTL level DO
	Front I/O	N/A
Mechanical	Mounting Type	Wall Mounting / VESA 75 Standard
	Dimensions	261.26 x 199.36 x 43.5 mm (W x H x D)
Camera		-
Hot Key		-
LED		6
RF wireless		IR receiver x 1
Network (LAN)		10/100 Base-T Ethernet (RJ-45) x 2
Audio	Chipset	WOLFSON_WM8750
	SPK / MIC	Speaker x1 output / Microphone x1 input
Power	Output Rating	12 ~ 24 V _{DC} , 2 A
	Input Voltage	100 ~ 240 V _{AC}
	Battery	-
Touchscreen	Technology	Resistive (controller)
	Touch Life Cycle	10 million touches
Temperature	Operation	0 ~ 40° C
	Storage	-20 ~ 60° C
Certifications		CE/FCC Class B, CCC, BSMI, UL

Dimensions

Unit: mm



I/O Placement



Ordering Information

Part Number	Description
UbiQ-480-ENSRL	English OS, Silver
UbiQ-480-ENSKLE	English OS, Silver, W/T PoE

*OS supports English, Simplified & Traditional Chinese.

Optional List

Description	Quantity
WiFi Module	1
PoE	1
Bracket	1
Wall-Box	1

Packing List

Description	Quantity
UbiQ-480K Unit	1
User Note & License	1
Connector	2