

UbiQ-350

7" Mobile AV Control Panel

NEW



Features

- Multiple wireless control interface: Zigbee/Wi-Fi
- Long battery life with power saving technology
- Desk-top cradle and optional wall-mount cradle
- 7.0" 16:9 touch LCD with MPEG-4 multimedia capability
- Intel Xscale PXA-270 / WinCE 5.0 Embedded

Introduction

UbiQ-350 series is the first mobile A/V control device that incorporates both ZigBee™ (802.15.4 compliant) and Wi-Fi (802.11 b/g compliant) wireless connection capability; which is ideal for facility control in home theater and home automation application. UbiQ-350 series is equipped with a 7.0" widescreen (16:9 aspect ratio) TFT LCD with resistive touch screen. Weighted just 800g, UbiQ-350 series can be easily hand-carried by users to control various audio and video equipments via touch of the screen.

Specifications

Kernel

- **CPU** Intel Xscale 32-bit 312 MHz (up to 416 MHz/520 MHz)
- **SDRAM** 64 MB (up to 128 MB)
- **Flash memory** 128 MB
image update for OS & Boot loader
- **Display** 7" 16:9 TFT LCD 800x480 - Display colors: 262144 (18-bit)
Brightness: 400 nits are minimum request
Contrast Ration: 400:1
4-wire resistant Touch Panel
- **Graphic accelerator** Intel 2700G for multimedia enhancement
- **OS kernel** WinCE 5.0 Professional Version
- **Platform Utility** Power management
P/W login

Control Interface

- **Wireless Network** 802.11b/g compatible Wi-Fi thru SD slot (SI accessible)
- **Zigbee Capabilities** Built-in 802.15.4 compliant Zigbee module

I/O Interface

- **USB** USB host 1.1 x 1
- **Mic** Build-in Microphone
- **Speaker** 2 x 1W Speaker
- **Buzzer** 1 x Buzzer
- **SD/MMC** 2 x SD/MMC Slot for storage & SDIO module (SI accessible)
1 for SDIO & another one for SD Storage only

Front Panel

- **Button** 1 x Power button for system Suspend & resume
2 x Volume Adjustment (Up & Down)
2 x Channel Change (Up & Down)
1 x Mute Button
System Hardware reset tackle switch at side (sharp tool needed)

Power and Battery

- **Power Consumption** Advantech Battery hard Pack (3S1P, 3.7V, 2100 mAh) (SI accessible)
Battery working duration
- 8 hr battery support (25% full run, 25% Idle, 50 % Suspend)
- 2.5 hours (full Run w/ multimedia run)
- Full charge : 2.5hr@95%
- **Power management** Management Step: On / Idle / Suspend / Off
Idle:
- Programmable timing for auto idle by system setting
- LCD Backlight off while system is in running status
- Resume by T/S or any hardware keys
Suspend:
- System is in deep sleep mode, except for Zigbee is acting
- Auto Suspend after 3minutes free in use (Timing is settable)
- Resume by Start button only
While power low in 3%, the system will be force to enter suspend mode automatically
- While power low in 10%, system buzzer will acting for reminding in once every 3second.
Battery Swap
- Only swappable for SI, not accessible for end users
1 power DC-in 12V in cradle (3.5# jack)

Power in

Others

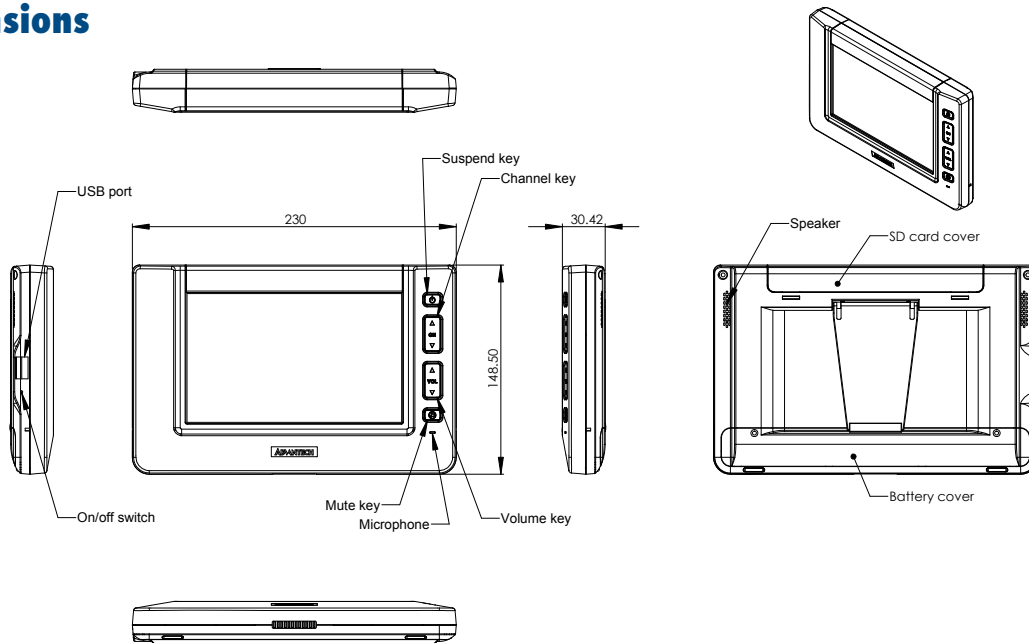
- **Weight** 1.76 lbs (0.8 kg)
- **Dimensions (HWD)** 5.12" × 8.27" × 1.81" (13cm × 21cm × 2.8cm)
- **Operation / Storage** Operation Temperature: 0° C to 45° C
- **Environment** Operation Humidity: 10% ~ 90%
Storage Temperature: -20° C to 60° C

Certification

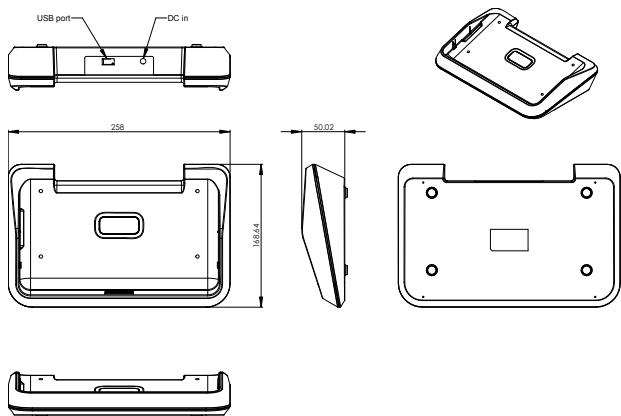
- **FCC Class B, CE , UL**

Dimensions

Unit: mm



Charging Cradle



Ordering Information

Part Number	Description
UbiQ-350-ZGCE0E	UbiQ-350 w/ Zigbee, 2700G Accelerator, Win CE 5.0

Packing List

Description	Quantity
UbiQ-350 unit	1
Desk-top cradle	1
DC12V Adapter (100 Vac ~ 240 Vac) (exclude power cord)	1
Support CD	1
WiFi card	1
WinCE License sticker	1