

# **UNO-2171**

**Pentium-M/Celeron-M  
Universal Network Controller  
with PC/104+ Expansion**

**User Manual**

## **Copyright**

This document is copyrighted, © 2007. All rights are reserved. The original manufacturer reserves the right to make improvements to the products described in this manual at any time without notice.

No part of this manual may be reproduced, copied, translated or transmitted in any form or by any means without the prior written permission of the original manufacturer. Information provided in this manual is intended to be accurate and reliable. However, the original manufacturer assumes no responsibility for its use, nor for any infringements upon the rights of third parties that may result from such use.

## **Acknowledgements**

IBM, PC/AT, PS/2 and VGA are trademarks of International Business Machines Corporation.

Intel® and Pentium® are trademarks of Intel Corporation.

Microsoft Windows and MS-DOS are registered trademarks of Microsoft Corp.

C&T is a trademark of Chips and Technologies, Inc.

All other product names or trademarks are properties of their respective owners.

This manual is for UNO-2171.

Part No. 2003217101

2nd Edition

Printed in Taiwan

August 2007

## **Product Warranty**

Advantech warrants to you, the original purchaser, that each of its products will be free from defects in materials and workmanship for one year from the date of purchase.

This warranty does not apply to any products that have been repaired or altered by persons other than repair personnel authorized by Advantech, or which have been subject to misuse, abuse, accident or improper installation. Advantech assumes no liability under the terms of this warranty as a consequence of such events.

Because of Advantech high quality-control standards and rigorous testing, most of our customers never need to use our repair service. If an Advantech product is defective, it will be repaired or replaced at no charge during the warranty period. For out-of-warranty repairs, you will be billed according to the cost of replacement materials, service time and freight. Please consult your dealer for more details. If you think you have a defective product, follow these steps:

- Step 1. Collect all the information about the problem encountered. (For example, CPU speed, Advantech products used, other hardware and software used, etc.) Note anything abnormal and list any on-screen messages you get when the problem occurs.
- Step 2. Call your dealer and describe the problem. Please have your manual, product, and any helpful information readily available.
- Step 3. If your product is diagnosed as defective, obtain an RMA (return merchandise authorization) number from your dealer. This allows us to process your return more quickly.
- Step 4. Carefully pack the defective product, a fully completed Repair and Replacement Order Card and a photocopy proof of purchase date (such as your sales receipt) in a shippable container. A product returned without proof of the purchase date is not eligible for warranty service.
- Step 5. Write the RMA number visibly on the outside of the package and ship it prepaid to your dealer.

## **Declaration of Conformity**

### **CE**

This product has passed the CE test for environmental specifications when shielded cables are used for external wiring. We recommend the use of shielded cables. This kind of cable is available from Advantech. Please contact your local supplier for ordering information.

### **FCC Class A**

Note: This equipment has been tested and found to comply with the limits for a Class A digital device, pursuant to part 15 of the FCC Rules. These limits are designed to provide reasonable protection against harmful interference when the equipment is operated in a commercial environment. This equipment generates, uses, and can radiate radio frequency energy and, if not installed and used in accordance with the instruction manual, may cause harmful interference to radio communications. Operation of this equipment in a residential area is likely to cause harmful interference in which case the user will be required to correct the interference at his own expense.

### **Technical Support and Assistance**

Step 1. Visit the Advantech web site at **[www.advantech.com/support](http://www.advantech.com/support)** where you can find the latest information about the product.

Contact your distributor, sales representative, or Advantech's customer service center for technical support if you need additional assistance.

Please have the following information ready before you call:

- Product name and serial number
- Description of your peripheral attachments
- Description of your software (operating system, version, application software, etc.)
- A complete description of the problem
- The exact wording of any error messages

# Contents

<b>Chapter 1</b>	<b>Overview .....</b>	<b>2</b>
1.1	Introduction .....	2
1.2	Hardware Specifications .....	3
1.3	Safety Precautions .....	4
1.4	Chassis Dimensions.....	5
	Figure 1.1:Chassis Dimensions 1.....	5
	Figure 1.2:Chassis Dimensions 2.....	5
	Figure 1.3:Chassis Dimensions 3.....	5
<b>Chapter 2</b>	<b>Hardware Functionality .....</b>	<b>8</b>
2.1	Introduction .....	8
	Figure 2.1:UNO-2171 Front Panel .....	8
	Figure 2.2:UNO-2171 Rear Panel .....	8
2.2	RS-232 Interface (COM1~COM2) .....	8
2.3	RS-232/422/485 Interface (COM3~COM4).....	9
2.3.1	16C550 UARTs with 16-byte standard .....	9
2.3.2	RS-422/485 detection .....	9
2.3.3	Automatic Data Flow Control Function for RS-485 .....	9
2.3.4	Termination Resistor (JP9).....	9
2.3.5	RS-232/422/485 Selection .....	10
	Figure 2.3:RS-422/485 Jumper Setting .....	10
	Figure 2.4:RS-232 Jumper Setting.....	10
2.3.6	RS-485 Auto Flow & RS-422 Master/Slave Mode .....	11
	Table 2.1:Auto Flow & Slave/Master Selection .....	11
2.3.7	IRQ and Address Setting .....	12
	Table 2.2:IRQ Setting via switch 1 at SW5.....	12
	Table 2.3:IRQ Setting via switch 1 at SW5.....	12
2.4	LAN: Ethernet Connector .....	13
2.5	Power Connector .....	13
2.6	PS/2 Keyboard and Mouse Connector .....	13
2.7	USB Connector .....	13
2.8	PCMCIA: PC Card Slot .....	14
2.9	VGA Display Connector .....	14
2.10	Battery Backup SRAM.....	14
2.10.1	Lithium Battery Specification.....	14
	Figure 2.5:SRAM Lithium Battery Location.....	15
2.11	Reset Button .....	15
2.12	Power Button.....	15
2.13	Audio.....	16
2.14	PC/104+.....	16
	Figure 2.6:PC104+ Power Selection.....	16

<b>Chapter</b>	<b>3</b>	<b>Initial Setup.....</b>	<b>18</b>
3.1	Chassis Grounding .....	18	
	Figure 3.1:Chassis Grounding Connection.....	18	
3.2	Inserting a CompactFlash Card .....	19	
3.3	Installing a Hard Disk .....	19	
3.4	Connecting Power .....	20	
3.5	BIOS Setup and System Assignments .....	20	
<b>Appendix A</b>	<b>System Settings &amp; Pin Assignments .....</b>	<b>22</b>	
A.1	System I/O Address & Interrupt Assignments.....	22	
	Table A.1: UNO-2171 System I/O Ports .....	22	
A.2	Board Connectors and Jumpers.....	24	
	Figure A.1:Connectors & Jumpers (frontside) .....	24	
	Figure A.2:Connectors & Jumpers (backside).....	24	
A.3	RS-232 Standard Serial Port (COM1~COM2) .....	26	
A.4	RS-232/422/485 Serial Port (COM3~COM4) .....	27	
A.5	Ethernet RJ-45 Connector (LAN1~LAN2).....	27	
A.6	Phoenix Power Connector (PWR).....	28	
A.7	PS/2 Keyboard and Mouse Connector .....	28	
A.8	USB Connector (USB1~USB2).....	29	
A.9	VGA Display Connector .....	29	
<b>Appendix B</b>	<b>Programming the Watchdog Timer .....</b>	<b>32</b>	

## Overview

This chapter provides an overview of UNO-2171's specifications.

Sections include:

- Introduction
- Hardware specification
- Safety precautions
- Chassis dimensions

# Chapter 1 Overview

## 1.1 Introduction

---

UNO-2171 is an embedded Application Ready Platform (ARP) that can shorten your development time and offers rich networking interfaces to fulfill extensive needs in different projects. Advantech's Universal Network Controller is designed to be a total solution for network enabled Application Ready Platforms.

Leveraging field-approved and worldwide approved real-time OS technology, Advantech's UNO-2000 series provides a Windows CE .NET and Windows XP Embedded ready solution, and supports several standard networking interfaces, such as Ethernet, Wireless LAN, RS-232/422/485 and so on. Because of its openness, great expansion capability and reliable design (fanless and diskless), the UNO-2000 series are ideal embedded platforms for implementing custom applications for diversified applications.



## 1.2 Hardware Specifications

---

- **CPU:** Pentium M 1.4GHZ / Celeron M 1 GHZ
- **Memory:** 512MB/1GB on board
- **Battery-backup RAM:** 512 KB Battery-backup RAM
- **VGA/Keyboard/Mouse:** DB-15 VGA Connector, PS/2 keyboard & mouse
- **Serial Ports:** 2 × RS-232 and 2 x RS-232/422/485 with DB-9 connectors. Automatic RS-485 data flow control
- **Serial Speeds:** RS-232: 50~115.2 kbps, RS-422/485: 50~921.6 kbps
- **LAN:** Two 10/100 Base-T RJ-45 Ports
- **USB interface:** Two USB ports, USB EHCI, Rev. 2.0 compliant
- **Audio:** Mic in, Line in, Line out
- **PC Card:** One PC Card slot. Supports CardBus (Card-32) Card and 16-bit (PCMCIA 2.1/JEIDA4.2) Card. Supports +5 V, +3.3 V working power
- **SSD:** Two internal Type I / Type II CompactFlash card slot
- **LEDs:** Power (Power Standby: Orange, Power on : Green), IDE, Alarm for RAM Backup Battery
- **PC/104+:** PC/104+ slot, Supports +5V Power
- **HDD:** HDD extension kit for installation of one standard 2.5" HDD
- **Anti-Shock:** 20 G @ Wall mounting, IEC 68 2-27, half sine, 11 ms w/ HDD 50 G @ Wall mounting, IEC 68 2-27, half sine, 11 ms w/CF
- **Anti-Vibration:** 2 Grms w/CF @ IEC 68 section 2-64, random, 5 ~ 500 Hz, 1 Oct./min, 1 hr/axis. 1 Grms w/ HDD @ IEC 68 section 2-64, random, 5 ~ 500 Hz, 1 Oct./min, 1 hr/axis
- **Power Requirement:** Min. 48 W (10 ~ 53 VDC) (e.g +24 V @ 2 A) (ATX)
- **Power Consumption:** 30W (Typical)
- **Operating temperature:** -10~65° C (14~149° F)
- **Storage Temperature:** -20~80° C (-4~176° F)
- **Relative humidity:** 95% @ 40°C
- **Weight:** 2.4 kg
- **Chassis size (W × L × H):** 255 x 152 x 59 mm (10"× 6.0"× 2.36")
- **Software options:** WinXP Embedded, Win2000/XP, Win CE 5.0, Linux
- **Certification:** CE, FCC Class A, UL

## 1.3 Safety Precautions

---

The following sections tell how to make each connection. In most cases, you will simply need to connect a standard cable.

**Warning!**



*Always disconnect the power cord from your chassis whenever you are working on it. Do not connect while the power is on. A sudden rush of power can damage sensitive electronic components. Only experienced electronics personnel should open the chassis.*

**Caution!**

*Always ground yourself to remove any static electric charge before touching UNO-2171. Modern electronic devices are very sensitive to static electric charges. Use a grounding wrist strap at all times. Place all electronic components on a static-dissipative surface or in a static-shielded bag.*

# 1.4 Chassis Dimensions

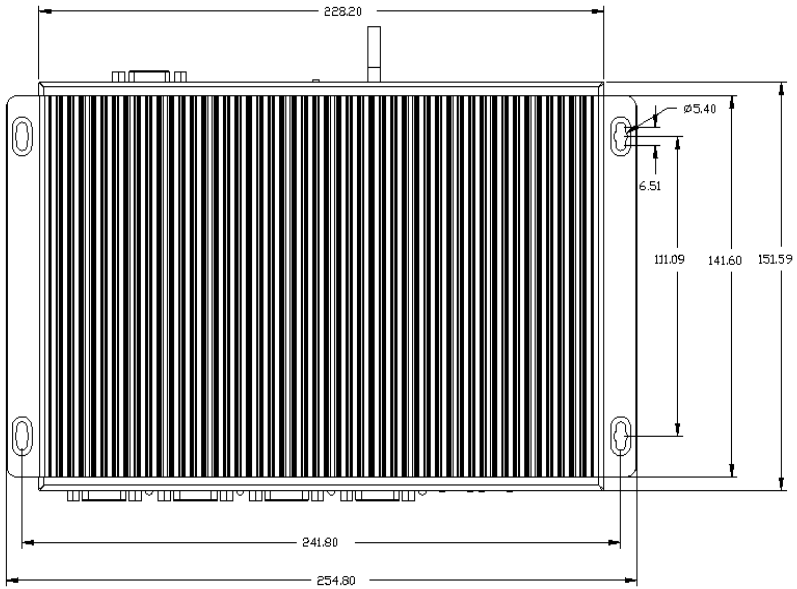


Figure 1.1: Chassis Dimensions 1

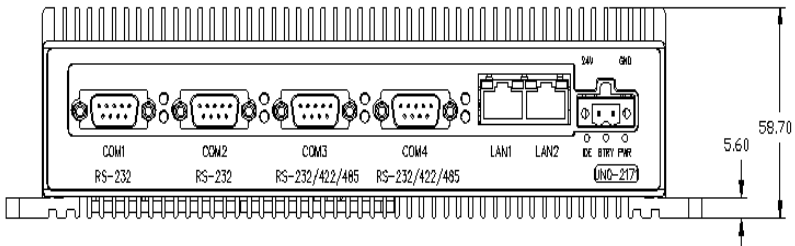


Figure 1.2: Chassis Dimensions 2

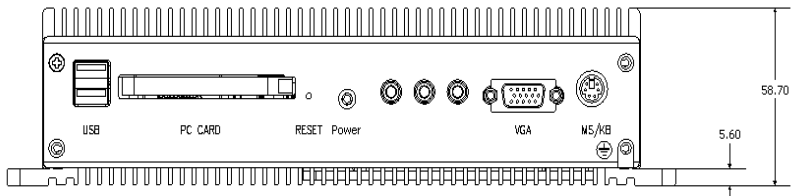


Figure 1.3: Chassis Dimensions 3



## Hardware Functionality

This chapter shows how to setup the UNO-2171's hardware functions, including connecting peripherals, setting switches and indicators.

Sections include:

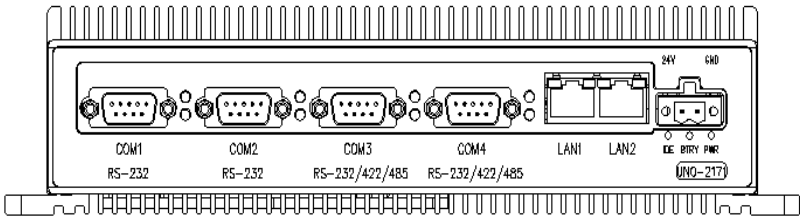
- Peripherals
- RS-232 Interface
- RS-232/422/485 Interface
- LAN / Ethernet Connector
- Power Connector
- PS/2 Mouse and Keyboard Connector
- USB Connector
- PCMCIA: PC Card Slot
- VGA Display Connector
- Battery Backup SRAM
- Reset Button
- Power Button
- Audio
- PC/104+

# Chapter 2 Hardware Functionality

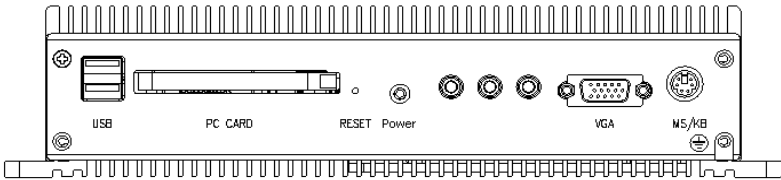
## 2.1 Introduction

---

The following two figures show the connectors on UNO-2171. The following sections give you detailed information about function of each peripheral.



*Figure 2.1: UNO-2171 Front Panel*



*Figure 2.2: UNO-2171 Rear Panel*

## 2.2 RS-232 Interface (COM1~COM2)

---

The UNO-2171 offers two standard RS-232 serial communication interface ports: COM1 and COM2. Please refer to A.3 for their pin assignments.

### IRQ and Address Setting

The IRQ and I/O address range of COM1 and COM2 are listed below:

COM1: 3F8H, IRQ4

COM2: 2F8H, IRQ3

## 2.3 RS-232/422/485 Interface (COM3~COM4)

---

The UNO-2171 offers two RS-232/422/485 serial communication interface ports: COM3 and COM4. Please refer to Appendix A.4 for their pin assignments. The default setting of COM3 and COM4 are RS-422/485.

### 2.3.1 16C550 UARTs with 16-byte standard

Advantech UNO-2171 comes with TI16C550 UARTs containing 16 bytes FIFOs.

### 2.3.2 RS-422/485 detection

In RS-422/485 mode, UNO-2171 automatically detects signals to match RS-422 or RS-485 networks. (No jumper change required)

### 2.3.3 Automatic Data Flow Control Function for RS-485

In RS-485 mode, UNO-2171 automatically detects the direction of incoming data and switches its transmission direction accordingly. So no handshaking signal (e.g. RTS signal) is necessary. This lets you conveniently build an RS-485 network with just two wires. More importantly, application software previously written for half duplex RS-232 environments can be maintained without modification.

### 2.3.4 Termination Resistor (JP9)

The onboard termination resistor (120 ohm) for COM3/COM4 can be used for long distance transmission or device matching. (Default Open.)

Pin	Description
A	TX+/TX- for COM3 Data+/Data- for COM3
B	RX+/RX- for COM3
C	TX+/TX- for COM4 Data+/Data- for COM4
D	RX+/RX- for COM4

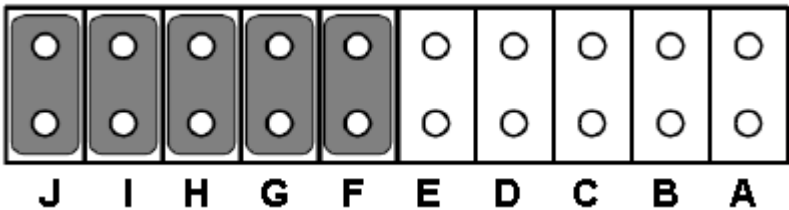
### 2.3.5 RS-232/422/485 Selection

COM3 and COM4 support 9-wire RS-232, RS-422 and RS-485 interfaces. The system detects RS-422 or RS-485 signals automatically in RS-422/485 mode.

To select between RS-422/485 and RS-232 for COM3, adjust JP7.

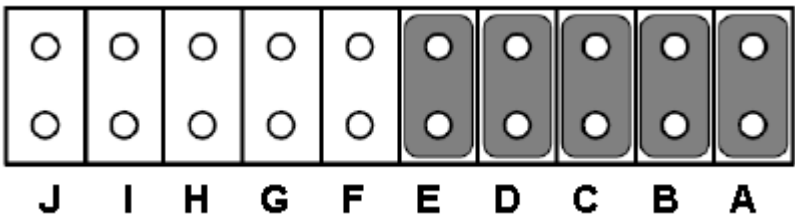
To select between RS-422/485 and RS-232 for COM4, adjust JP8.

Jumper setting for RS-422/485 interface: (Default setting). (JP7 and JP8)



*Figure 2.3: RS-422/485 Jumper Setting*

Jumper setting for RS-232 interface: (JP7 and JP8)



*Figure 2.4: RS-232 Jumper Setting*

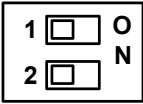
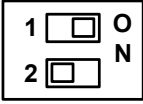
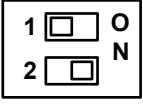
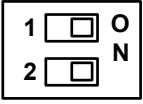


### 2.3.6 RS-485 Auto Flow & RS-422 Master/Slave Mode

You can set the “Auto Flow Control” mode of RS-485 or “Master/Slave” mode of RS-422 by using the SW4 DIP switch for each RS-422/485 port.

In RS-485, if the switch is set to “Auto”, the driver automatically senses the direction of the data flow and switches the direction of transmission. No handshaking is necessary.

In RS-422, if DIP switch is set to “On,” the driver is always enabled, and always in high or low status.

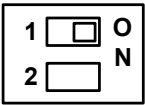
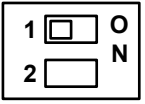
<i>Table 2.1: Auto Flow &amp; Slave/Master Selection</i>		
<b>SW4 DIP Switch Setting</b>	<b>COM Port</b>	<b>Mode Selections</b>
	COM3	RS-422: Slave mode
		RS-485: Auto flow control
	COM4	RS-422: Slave mode
		RS-485: Auto flow control
	COM3	RS-422: Master mode
		RS-485: N/A
	COM4	RS-422: Slave mode
		RS-485: Auto flow control
	COM3	RS-422: Slave mode
		RS-485: Auto flow control
	COM4	RS-422: Master mode
		RS-485: N/A
	COM3	RS-422: Master mode
		RS-485: N/A
	COM4	RS-422: Master mode
		RS-485: N/A

### 2.3.7 IRQ and Address Setting

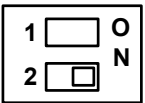
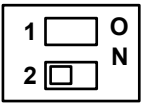
The IRQ and I/O address range of COM3 and COM4 are listed below:

- **COM3:** 3E8<sub>H</sub>, IRQ10 (Independent IRQ), IRQ10 (Share IRQ)
- **COM4:** 2E8<sub>H</sub>, IRQ5 (Independent IRQ), IRQ10 (Share IRQ)
- **Vector address for share IRQ:** 1D0<sub>H</sub>

You can set “Share IRQ” or “Independent IRQ” by the first switch of SW5.

Switch 1 at SW5 setting	Function
	Share IRQ (default)
	Independent IRQ

You can adjust the transmission rate by the second switch of SW5.

Switch 1 at SW5 setting	Function
	Speed x 8*
	Speed x 1 (default)

\* To increase the normal baud rates by eight times, (e.g. if 115.2K bps is set, the baud rate will be increased to 921.6K bps), set switch 2 of SW5 to “on”.

## 2.4 LAN: Ethernet Connector

---

The UNO-2171 is equipped with a Realtek RTL8139DL Ethernet LAN controller that is fully compliant with IEEE 802.3u 10/100Base-T CSMA/CD standards. The Ethernet port provides a standard RJ-45 jack on board, and LED indicators on the front side to show its Link (Green LED) and Active (Yellow LED) status.

## 2.5 Power Connector

---

The UNO-2171 comes with a Phoenix connector that carries 10~53 VDC (ATX) external power input, and features reversed wiring protection. Therefore, it will not cause any damage to the system by reversed wiring of ground line and power line. Please refer to Appendix A.6

## 2.6 PS/2 Keyboard and Mouse Connector

---

The UNO-2171 provides a PS/2 keyboard and PS/2 mouse connector. A 6-pin mini-DIN connector is located on the rear panel of the UNO-2171. The UNO-2171 comes with an adapter to convert from the 6-pin mini-DIN connector to two 6-pin mini-DIN connectors for PS/2 keyboard and PS/2 mouse connection. Please refer to Appendix A.7 for its pin assignments.

## 2.7 USB Connector

---

The USB connector is used for connecting any device that conforms to the USB interface. Many recent digital devices conform to this standard. The USB interface supports Plug and Play, which enables you to connect or disconnect a device whenever you want, without turning off the computer.

The UNO-2171 provides two connectors of USB interfaces, which gives complete Plug & Play and hot swapping for up to 127 external devices. The USB interface complies with USB EHCL, Rev. 2.0 compliant. The USB interface can be disabled in the system BIOS setup. Please refer to Appendix A.8 for its pin assignments.

## 2.8 PCMCIA: PC Card Slot

---

The UNO-2171 provides one PC Card slot that supports CardBus (Card-32) cards and 16-bit (PCMCIA 2.1/JEIDA 4.2) card standards. It supports +3.3 V, +5 V. The PC Card is 85.6 mm long by 54 mm wide (3.37" x 2.126"), use a 68-pin connector and a removable module standardized by PCMCIA that is known as "PCMCIA card."

PS: PCMCIA interrupt assignment is IRQ 7.

## 2.9 VGA Display Connector

---

The UNO-2171 provides a VGA controller (Intel 855/852 GME, supports a single 1.5V accelerated graphics port interface) for a high resolution VGA interface. It supports CRT Mode: 1280 x 1024 @ 32bpp (60Hz), 1024 x 768 @ 32bpp (85Hz); LCD/Simultaneous Modes: 1280 x 1024 @ 16bpp(60Hz), 1024 x 768 @ 16bpp(60Hz) and up to 32 MB shared memory.

## 2.10 Battery Backup SRAM

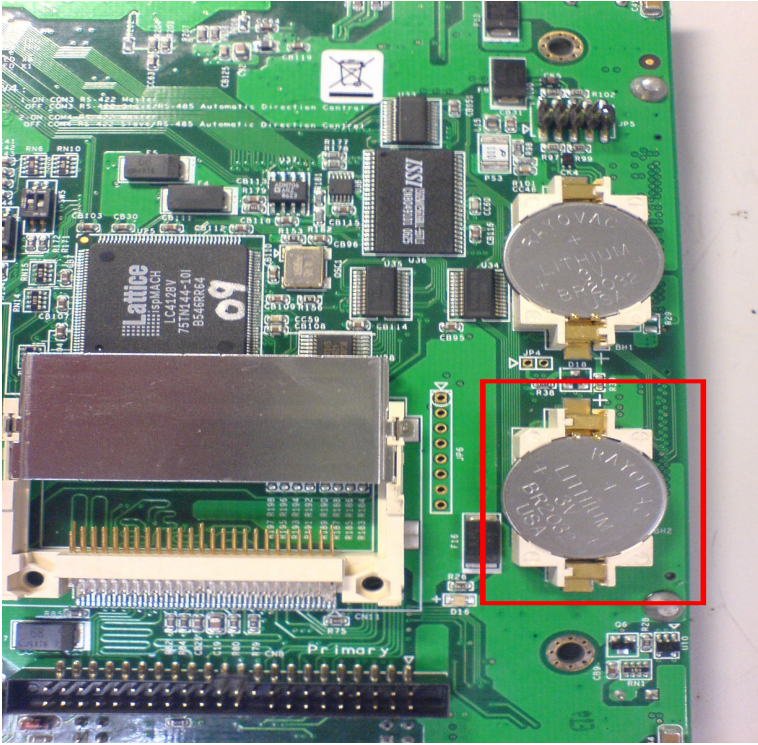
---

UNO-2171 provides 512 KB of battery backed SRAM. This ensures that you have a safe place to store critical data. You can now write software applications without being concerned that system crashes will erase critical data from the memory.

There is a BTRY LED in the front panel of the UNO-2171, please replace the lithium battery with a new one if the BTRY LED is activated.

### 2.10.1 Lithium Battery Specification

- **Type:** BR2032 (Using CR2032 is NOT recommended)
- **Output voltage:** 3 V<sub>DC</sub>
- **Location:** the backside of UNO-2171 board.  
(BH1 is for real time clock, BH2 is for SRAM)



*Figure 2.5: SRAM Lithium Battery Location*

## 2.11 Reset Button

---

Press the "Reset" button to activate the reset function. (SW2)

## 2.12 Power Button

---

Press the "Power" button to power on or power off UNO-2171. (ATX type) (SW3)

UNO-2171's power is also designed for power management only "S1" compliant.

## 2.13 Audio

---

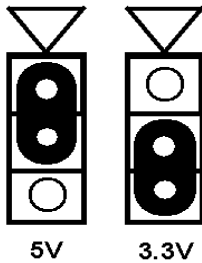
UNO-2171 supports audio function with

- Microphone
- Line In
- Line Out.

## 2.14 PC/104+

---

UNO-2171 supports standard PC/104+ version 1.2, which supports up to 3 PCI masters (CN20). You also could install jumper (JP10) for choosing power of PC/104+ bus supplies (Jumper default setting is open).



*Figure 2.6: PCI04+ Power Selection*

## Initial Setup

This chapter introduces how to initialize the UNO-2171.

Sections include:

- Chassis Grounding
- Inserting a CompactFlash Card
- Installing a Hard Disk
- Connecting Power
- BIOS Setup and System Assignments

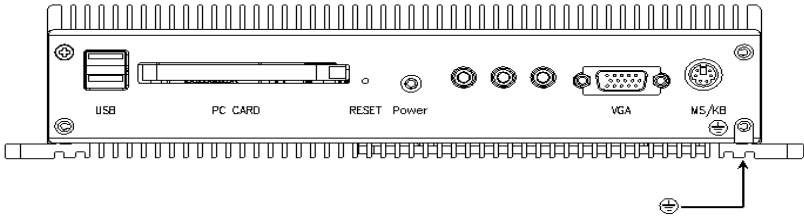
# Chapter 3 Initial Setup

## 3.1 Chassis Grounding

---

The aluminum made UNO-2171 provides good EMI protection and a stable grounding base. There is an easy-to-connect chassis grounding point for you to use.

Please connect chassis ground of UNO-2171 with "EARTH" as ground.



**Figure 3.1: Chassis Grounding Connection**

You can select if you wish to combine the chassis grounding point with the system grounding by using an onboard jumper selection. (JP1)



Open - Separates system power ground and chassis ground. (default)



Closed - Connects system power ground and chassis ground.

---



## 3.2 Inserting a CompactFlash Card

---

The procedure for installing a CompactFlash card into the UNO-2171 is detailed below, please follow these steps carefully.

1. Remove the power cord.
2. Unscrew the six screws from the down storage panel.
3. Remove the storage panel.
4. Plug a CompactFlash card with your OS and application program into a CompactFlash card slot on board. (CN11 or CN10)
5. Screw back the rear panel with six screws

*Note CN8 is Primary*

*CN11 is primary's master*

*CN10 is secondary's master*

*CN9 is secondary*

*Please do not use CN8 and CN11, CN10 and CN9 (respectively) at same time.*

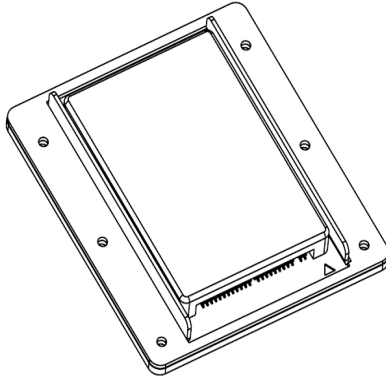
*If your OS is build in CF card and program,application and data are save in HDD, please install CF in CN10 and connect HDD in CN8.*

## 3.3 Installing a Hard Disk

---

The procedure for installing a hard disk into the UNO-2171 is below. Please follow these steps carefully.

1. Remove the power cord.
2. Unscrew six screws from the down storage panel of the UNO-2171.
3. Remove the storage panel.
4. Install 2.5" HDD on storage panel and please notice the cable connector on HDD for IDE should be near bottom triangle sign of storage panel, and screw 4 screws on the back side of storage panel connector IDE cable with HDD and CN8



5. Screw back the down storage panel with 6 screws

*Note:* CN8 is Primary

CN11 is primary's master

CN10 is secondary's master

CN9 is secondary

*Please do not use CN8 and CN11, CN10 and CN9 (respectively) at same time.*

*If your OS is build in CF card and program, application and data are save in HDD, please install CF in CN10 and connect HDD in CN8.*

### **3.4 Connecting Power**

---

Connect the UNO-2171 to a 10~53 VDC power source. The power source can either be from a power adapter or an in-house power source.

### **3.5 BIOS Setup and System Assignments**

---

UNO-2171 adopts Advantech's SOM-4486/4481 CPU module. Further information about the SOM-4486/4481 CPU module, can be found in SOM-4486/4481's user's manual. You can find this manual on the UNO-2171's driver and utility CD-ROM.

Please note that you can try to "LOAD BIOS DEFAULTS" from the BIOS Setup manual if the UNO-2171 does not work properly.

Appendix

# A

## **System Settings and Pin Assignments**

# Appendix A System Settings & Pin Assignments

## A.1 System I/O Address & Interrupt Assignments

*Table A.1: UNO-2171 System I/O Ports*

<b>Address Range</b>	<b>Device</b>
000-01F	DMA controller (slave)
020-03F	Interrupt controller 1, (master)
040-05F	8254 timer/counter
060-06F	8042 (keyboard controller)
070-07F	Real-time clock, non-maskable interrupt (NMI)mask
080-09F	DMA page register,
0A0-0BF	Interrupt controller 2 (slave)
0C0-0DF	DMA controller (master)
0F0	Clear math co-processor
0F1	Reset math co-processor
0F8-0FF	Math co-processor
1D0	Vector address; for COM port share IRQ
1E0	Battery backup resource
11E	Battery backup resource
1F0-1F8	1st fixed disk
200-207	Game I/O
278-27F	Reserved
2E8-2EF	Serial port 4
2F8-2FF	Serial port 2
380-38F	SDLC, bisynchronous 2
3A0-3AF	Bisynchronous 1
3B0-3BF	Monochrome display
3C0-3CF	Reserved
3D0-3DF	Color/graphics monitor adapter
3F0-3F7	Diskette controller
3E8-3EF	Serial port 3

---

**Table A.1: UNO-2171 System I/O Ports**

---

<b>Address Range</b>	<b>Device</b>
3F8-3FF	Serial port 1
DC000-DFFFF	Battery backup resource

---

---

**Table A.2: UNO-2171 Interrupt Assignment**

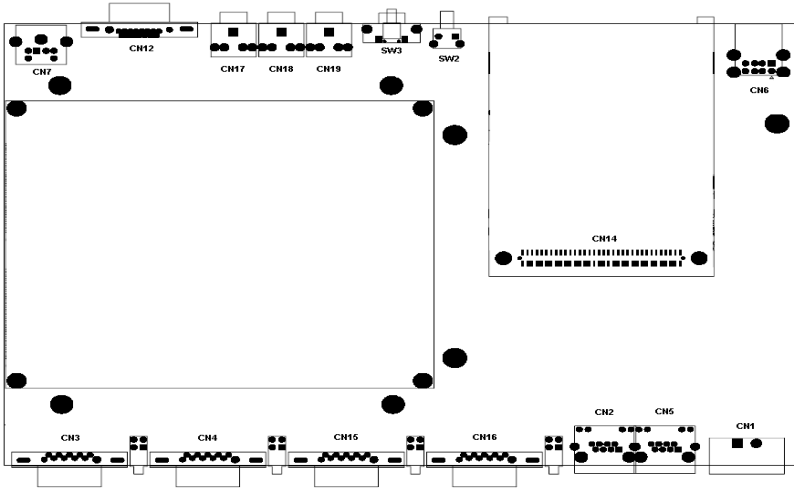
---

<b>Interrupt No.</b>	<b>Interrupt Source</b>
NMI	Parity error detected
IRQ 0	Interval timer
IRQ 1	Keyboard
IRQ 2	Interrupt from controller 2 (cascade)
IRQ 3	COM2
IRQ 4	COM1
IRQ 5	COM4 (Independent IRQ)
IRQ 6	Diskette controller (FDC)
IRQ 7	PCMCIA
IRQ 8	Real-time clock
IRQ 10	COM3 (Independent IRQ)/COM3&COM4 Share IRQ
IRQ 11	Reserved for watchdog timer
IRQ 12	PS/2 mouse
IRQ 13	INT from co-processor
IRQ 14	Primary IDE
IRQ 15	Secondary IDE for CompactFlash

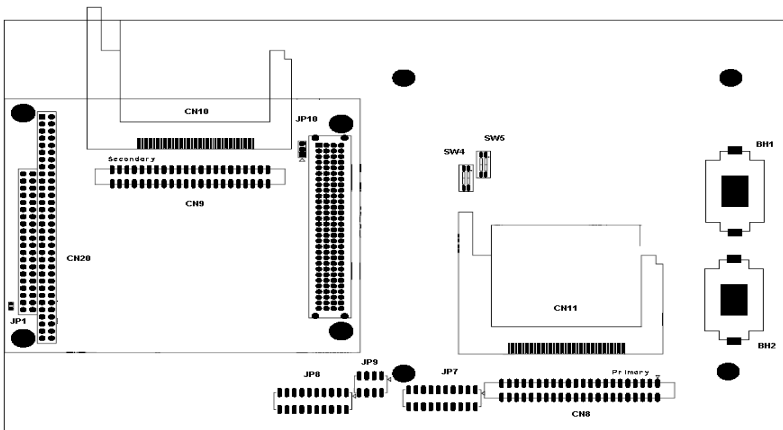
---

## A.2 Board Connectors and Jumpers

There are several connectors and jumpers on the UNO-2171 board. The following sections tell you how to configure the UNO-2171 hardware setting. Figure A-1 and Figure A-2 show the locations of UNO-2171's connectors and jumpers.



*Figure A.1: Connectors & Jumpers (frontside)*



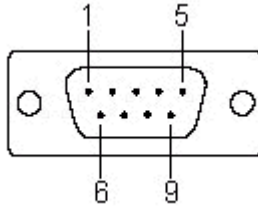
*Figure A.2: Connectors & Jumpers (backside)*

**Table A.3: UNO-2171 Connectors and Jumpers**

<b>Label</b>	<b>Function</b>
CN1	Phoenix power connector
CN2	Ethernet port 1
CN3	Ethernet port 2
CN4	COM1 RS-232 serial port
CN5	COM2 RS-232 serial port
CN15	COM3 RS-232/422/485 serial port
CN16	COM4 RS-232/422/485 serial port
CN6	USB connector
CN7	PS/2 keyboard and mouse connector
CN8	Primary IDE connector
CN11	Primary's master IDE connector
CN9	Secondary IDE connector
CN10	Secondary's master IDE connector
CN20	PC/104+ slot
JP10	PC/104+ power selection
CN12	VGA DB15 display connector
CN14	PC card slot
JP7	COM3 RS-232/422/485 selection
JP8	COM4 RS-232/422/485 selection
JP9	Terminator resistor (120 ohm) for COM3/COM4 (RS-422/485)
JP1	System grounding jumper
SW3	Power button
SW2	Reset button
SW4	COM3/COM4 RS-422 master/slave selection
SW5	Share IRQ/Independent IRQ selection /Speed selection
BH1	Battery for RTC
BH2	Battery for SRAM
CN17	Audio's MIC
CN18	Audio's Line-in
CN19	Audio's Line-out

## A.3 RS-232 Standard Serial Port (COM1~COM2)

---



---

*Table A.4: RS-232 standard serial port pin assignments*

---

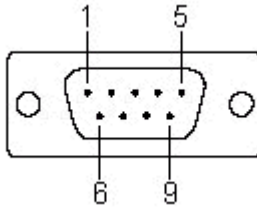
Pin	RS-232 Signal Name
1	DCD
2	RxD
3	TxD
4	DTR
5	GND
6	DSR
7	RTS
8	CTS
9	RI

---



## A.4 RS-232/422/485 Serial Port (COM3~COM4)

---



*Table A.5: RS-232/422/485 serial port pin assignments*

Pin	RS-232	RS-422	RS-485
1	DCD	Tx-	DATA-
2	RxD	Tx+	DATA+
3	TxD	Rx+	NC
4	DTR	Rx-	NC
5	GND	GND	GND
6	DSR	NC	NC
7	RTS	NC	NC
8	CTS	NC	NC
9	RI	NC	NC

## A.5 Ethernet RJ-45 Connector (LAN1~LAN2)

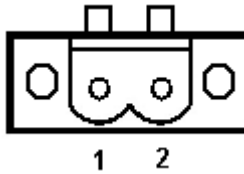
---

*Table A.6: Ethernet RJ-45 connector pin assignments*

Pin	10/100Base-T Signal Name
1	XMT+
2	XMT-
3	RCV+
4	NC
5	NC
6	RCV-
7	NC
8	NC

## A.6 Phoenix Power Connector (PWR)

---

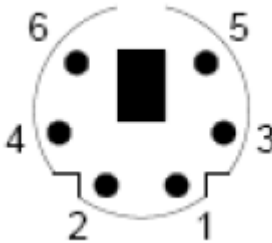


*Table A.7: Power connector pin assignments*

Pin	Signal Name
1	+10~53 VDC
2	GND

## A.7 PS/2 Keyboard and Mouse Connector

---



*Table A.8: Keyboard and Mouse connector pin assignments*

Pin	Signal Name
1	KB DATA
2	MS DATA
3	GND
4	VCC
5	KB Clock
6	MS Clock

## A.8 USB Connector (USB1~USB2)

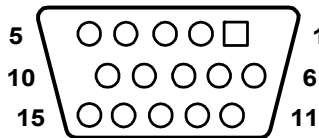
---

*Table A.9: USB connector pin assignments*

Pin	Signal Name	Cable Color
1	VCC	Red
2	DATA+	White
3	DATA-	Green
4	GND	Black

## A.9 VGA Display Connector

---



*Table A.10: VGA adaptor cable pin assignment*

Pin	Signal Name
1	Red
2	Green
3	Blue
4	NC
5	GND
6	GND
7	GND
8	GND
9	NC
10	GND
11	NC
12	NC
13	H-SYNC
14	V-SYNC
15	NC



Appendix

**B**

## **Programming the Watchdog Timer**

# Appendix B Programming the Watchdog Timer

Below are samples of code for controlling the Watchdog Timer function.

-----  
Enter the extended function mode, interruptible double-write

```
MOV DX,2EH
MOV AL,87H OUT DX,AL OUT DX,AL
```

-----  
Configured logical device 8, configuration register CRF6

```
MOV DX,2EH
MOV AL,2BH OUT DX,AL MOV DX,2FH IN AL,DX
AND AL,0EFH;Setbit 4=0 Pin 89=WDTO OUT DX,AL
MOV DX,2EH
MOV AL,07H; point to Logical Device Number Reg. OUT DX,AL
MOV DX,2FH
MOV AL,08H; select logical device 8
OUT DX,AL; MOV DX,2EH
MOV AL,30H;Set watch dog activate or inactivate
OUT DX,AL MOV DX,2FH
MOV AL,01H; 01:activate 00:inactivate
OUT DX,AL; MOV DX,2EH
MOV AL,F5H; Setting counter unit is second
OUT DX,AL MOV DX,2FH MOV AL,00H OUT DX,AL; MOV
DX,2EH MOV AL,F6H OUT DX,AL MOV DX,2FH
MOV AL,05H; Set 5 seconds
OUT DX,AL
;-----
; Exit extended function mode |
;-----
MOV DX,2EH
MOV AL,AAH OUT DX,AL
```