

UNO-1150

**GX2 400MHz Fanless, DIN-rail
Mounted Embedded Automation
Computer with 2 x LAN, 2 x USB,
3 x COM, and Audio**

User Manual

Copyright Notice

The documentation and the software included with this product are copyrighted 2008 by Advantech Co., Ltd. All rights are reserved. Advantech Co., Ltd. reserves the right to make improvements in the products described in this manual at any time without notice. No part of this manual may be reproduced, copied, translated or transmitted in any form or by any means without the prior written permission of Advantech Co., Ltd. Information provided in this manual is intended to be accurate and reliable. However, Advantech Co., Ltd. assumes no responsibility for its use, nor for any infringements of the rights of third parties, which may result from its use.

Acknowledgements

IBM, PC/AT, PS/2 and VGA are trademarks of International Business Machines Corporation.

Intel® and Pentium® are trademarks of Intel Corporation.

Microsoft Windows and MS-DOS are registered trademarks of Microsoft Corp.

C&T is a trademark of Chips and Technologies, Inc.

All other product names or trademarks are properties of their respective owners.

Part No. 2003115060

1st Edition

Printed in Taiwan

April 2008

Product Warranty (2 years)

Advantech warrants to you, the original purchaser, that each of its products will be free from defects in materials and workmanship for two years from the date of purchase.

This warranty does not apply to any products which have been repaired or altered by persons other than repair personnel authorized by Advantech, or which have been subject to misuse, abuse, accident or improper installation. Advantech assumes no liability under the terms of this warranty as a consequence of such events.

Because of Advantech's high quality-control standards and rigorous testing, most of our customers never need to use our repair service. If an Advantech product is defective, it will be repaired or replaced at no charge during the warranty period. For out-of-warranty repairs, you will be billed according to the cost of replacement materials, service time and freight. Please consult your dealer for more details.

If you think you have a defective product, follow these steps:

1. Collect all the information about the problem encountered. (For example, CPU speed, Advantech products used, other hardware and software used, etc.) Note anything abnormal and list any onscreen messages you get when the problem occurs.
2. Call your dealer and describe the problem. Please have your manual, product, and any helpful information readily available.
3. If your product is diagnosed as defective, obtain an RMA (return merchandize authorization) number from your dealer. This allows us to process your return more quickly.
4. Carefully pack the defective product, a fully-completed Repair and Replacement Order Card and a photocopy proof of purchase date (such as your sales receipt) in a shippable container. A product returned without proof of the purchase date is not eligible for warranty service.
5. Write the RMA number visibly on the outside of the package and ship it prepaid to your dealer.

CE

This product has passed the CE test for environmental specifications when shielded cables are used for external wiring. We recommend the use of shielded cables. This kind of cable is available from Advantech.

FCC Class A

This equipment has been tested and found to comply with the limits for a Class A digital device, pursuant to part 15 of the FCC Rules. These limits are designed to provide reasonable protection against harmful interference when the equipment is operated in a commercial environment. This equipment generates, uses, and can radiate radio frequency energy and, if not installed and used in accordance with the manual, may cause harmful interference to radio communications. Operation of this equipment in a residential area is likely to cause harmful interference in which case the user will be required to correct the interference at his own expense.

Technical Support and Assistance

- Step 1. Visit the Advantech web site at **www.advantech.com/support** where you can find the latest information about the product.
- Step 2. Contact your distributor or Advantech's customer service center if you need additional assistance. Have the following info ready:
 - Product name and serial number
 - Description of your software (OS, version, software, etc.)
 - A complete description of the problem
 - The exact wording of any error messages

Packing List

Before setting up the system, check that the items listed below are included. If any item is not, please contact your dealer immediately.

The UNO-1150 comes with the following items:

- Warranty certificate
- Software Supporting CD-ROM
- 6P-6P-6P 20cm PS/2 Mouse/Keyboard Y cable (P/N: 1700060202)
- Phoenix power connector (P/N: 1652003206)
- DIN-rail mounting accessory
- Wallmounting accessory

Safety Instructions

1. Read these safety instructions carefully.
2. Keep this User's Manual for later reference.
3. Disconnect this equipment from any AC outlet before cleaning. Use a damp cloth. Do not use liquid or spray detergents for cleaning.
4. For plug-in equipment, the power outlet socket must be located near the equipment and must be easily accessible.
5. Keep this equipment away from humidity.
6. Put this equipment on a reliable surface during installation. Dropping it or letting it fall may cause damage.
7. The openings on the enclosure are for air convection. Protect the equipment from overheating. **DO NOT COVER THE OPENINGS.**
8. Make sure the voltage of the power source is correct before connecting the equipment to the power outlet.
9. Position the power cord so that people cannot step on it. Do not place anything over the power cord.
10. All cautions and warnings on the equipment should be noted.
11. If the equipment is not used for a long time, disconnect it from the power source to avoid damage by transient overvoltage.
12. Never pour any liquid into an opening. This may cause fire or electrical shock.
13. Never open the equipment. For safety reasons, the equipment should be opened only by qualified service personnel.
14. If one of the following situations arises, get the equipment checked by service personnel:
 - a. The power cord or plug is damaged.
 - b. Liquid has penetrated into the equipment.
 - c. The equipment has been exposed to moisture.
 - d. The equipment does not work well, or you cannot get it to work according to the user's manual.
 - e. The equipment has been dropped and damaged.
 - f. The equipment has obvious signs of breakage.
15. **DO NOT LEAVE THIS EQUIPMENT IN AN ENVIRONMENT WHERE THE STORAGE TEMPERATURE MAY GO BELOW**

-10° C (14° F) OR ABOVE 60° C (140° F). THIS COULD DAMAGE THE EQUIPMENT. THE EQUIPMENT SHOULD BE IN A CONTROLLED ENVIRONMENT.

16. CAUTION: DANGER OF EXPLOSION IF BATTERY IS INCORRECTLY REPLACED. REPLACE ONLY WITH THE SAME OR EQUIVALENT TYPE RECOMMENDED BY THE MANUFACTURER, DISCARD USED BATTERIES ACCORDING TO THE MANUFACTURER'S INSTRUCTIONS.

The sound pressure level at the operator's position according to IEC 704-1:1982 is no more than 70 dB (A).

DISCLAIMER: This set of instructions is given according to IEC 704-1. Advantech disclaims all responsibility for the accuracy of any statements contained herein.

Safety Precaution - Static Electricity

Follow these simple precautions to protect yourself from harm and the products from damage.

1. To avoid electrical shock, always disconnect the power from your PC chassis before you work on it. Don't touch any components on the CPU card or other cards while the PC is on.
2. Disconnect power before making any configuration changes. The sudden rush of power as you connect a jumper or install a card may damage sensitive electronic components.

Contents

Chapter	1	UNO-1150 Overview	2
	1.1	Introduction	2
	1.2	Hardware Specifications	2
	1.3	Safety Precautions	3
	1.4	UNO-1150 Series	4
	1.5	Chassis Dimensions	4
Chapter	2	Hardware Functionality	6
	2.1	UNO-1150 Peripherals	6
	2.2	COM1: RS-232 Interfaces	7
	2.3	COM2~COM3: RS-232/422/485 Interfaces	7
	2.3.1	16C954 UARTs with 128-byte standard	7
	2.3.2	Jumpless for RS-422/485	7
	2.3.3	Automatic Data Flow Control Function for RS-485	7
	2.3.4	RS-232/422/485 Selection	8
	2.3.5	Terminal Resistor Setup for RS-422/485	9
	2.4	LAN: Ethernet Connector	11
	2.5	Power Connector	11
	2.6	LED Indicators	11
	2.7	PS/2 Keyboard and Mouse Connector	11
	2.8	Universal Serial Bus Connectors	12
	2.9	VGA: VGA Display Connector	12
	2.10	RESET: Reset Button	12
	2.11	Audio	12
Chapter	3	Initial Setup.....	14
	3.1	CompactFlash Card Installation	14
	3.2	Chassis Grounding	16
	3.3	Power Connection	16
	3.4	BIOS Setup and System Assignments	16
	3.5	DIN-Rail Mounting Setup	17
	3.6	Wallmounting Setup	18
Appendix	A	Pin Assignments	20
	A.1	Board Connectors and Jumpers	20
	A.2	RS-232 Serial Port (COM1)	22
	A.3	RS-232/422/485 Serial Port (COM2~COM3)	23
	A.4	Ethernet RJ-45 Connector (LAN1~LAN2)	23
	A.5	Power Screw Terminal	24
	A.6	PS/2 Keyboard and Mouse Connector (CN10)	24
	A.7	USB Connector (CN13)	25
	A.8	VGA Display Connector (CN15)	25
	A.9	CompactFlash Master/Slave Setting (SW7)	26
	A.10	RS-422/485 Signal Pull High/Low Settings	27
	A.11	Enhanced IDE Connector (CN2)	28

UNO-1150 Overview

This chapter gives background information on the UNO-1150. It shows you the UNO-1150 overview and specifications.

Sections include:

- Introduction
- Hardware Specifications
- Safety Precautions
- UNO-1150 Series
- Chassis Dimensions

Chapter 1 UNO-1150 Overview

1.1 Introduction

UNO-1150 is an DIN-rail mounted Embedded Automation Computer, which provides several serial communication ports and Ethernet interfaces. UNO-1150 is designed with a compact size, small footprint, and help to saves space with its front accessible and DIN-rail design. With rich OS and driver support, such as Windows XP embedded, WinCE 6.0, and even embedded Linux. You can integrate your applications easily with an application ready platform that can provide a versatile function to fulfill diverse requirements.

1.2 Hardware Specifications

- **CPU:** AMD Geode GX533-400
- **Chipset:** AMD CS5535
- **BIOS:** AWARD 4Mbit FLASH BIOS
- **RAM:** 256MB DDR RAM on board
- **VGA:** Supports VGA and VESA
 - Display memory: 1 ~ 16 MB share memory, set in BIOS
 - CRT display: Non-interlaced CRT monitors resolutions up to 1280 x 1024 @ 256 colors or 1024 x 768 @ 24 bpp
 - DB-15 VGA connector
- **Audio:**
 - Line In
 - Line Out
- **Serial Port:** One standard RS-232 ports (COM1),
Two RS-232/422/485 ports (COM2, COM3)
 - Data bits: 5, 6, 7, 8
 - Stop bits: 1, 1.5, 2
 - Parity: none, even, odd
 - Speed: 50~115.2kbps,(RS-232) 300~921.6kbps (RS-422/485)
 - RS-422 data signals: TxD+, TxD-, RxD+, RxD-, GND
 - RS-485 Data signal: DATA+, DATA-, GND
 - RS-232 Data signal: TxD,RxD,RTS,CTS,DTR,DSR,DCD,RI,GND
 - RS-232 Max data distance: 50 feet (15.2 meters)
 - RS-422/485 max data distance: 4000 feet (1220 meters)

- **USB interface:** USB OpenHCI, Rev. 1.0 compliant
USB specification version 1.1 compliant
- **Ethernet Port:** Dual 10/100Base-T Ethernet
 - LAN chip: Realtek 8100CL chipset supports
 - LED on the front side
- **SSD:** One Type I / Type II CompactFlash card slot inside the chassis
- **LED:** 1xPower LED, 1xIDE LED, 3 pairs of serial flow indicators (Tx, Rx)
- **Keyboard/Mouse connector:** Mini-DIN connector supports PS/2 keyboard and a PS/2 mouse
- **Power Supply Voltage:** 10-36 VDC, reversed wiring protection
- **Power Consumption:** 15W (typical)
- **Power Requirement:** 24W
- **Operating Temperature:** -10~60° C (14~140° F)
- **Shock Protection:** IEC 68 2-27
CompactFlash: 50 G @ wall mount, half sine, 11 ms
- **Vibration Protection:** IEC 68 2-64 (Random 1 Oct./min, 1hr/axis.)
CompactFlash: 2 Grms @ 5 ~ 500 Hz
- **Chassis Size (W x L x H):** 85 x 155 x 140 mm (3.4"x 6.1"x 5.6")
- **Weight:** 1.6 kg

1.3 Safety Precautions

The following sections tell how to make each connection. In most cases, you will simply need to connect a standard cable. All of the connector pin assignments are shown in Appendix A.

Warning!! *Always disconnect the power cord from your chassis when you are working on it. Do not connect while the power is on. A sudden rush of power can damage sensitive electronic components. Only experienced electronics personnel should open the chassis.*

Caution!! *Always ground yourself to remove any static electric charge before touching UNO-1150. Modern electronic devices are very sensitive to static electric charges. Use a grounding wrist strap at all times. Place all electronic components on a static-dissipative surface or in a static-shielded bag..*

1.4 UNO-1150 Series

There are two products in UNO-1150 series listed as below:

- **UNO-1150:** UNO-1150 hardware platform
- **UNO-1150F:** UNO-1150 with one external CompactFlash slot

1.5 Chassis Dimensions

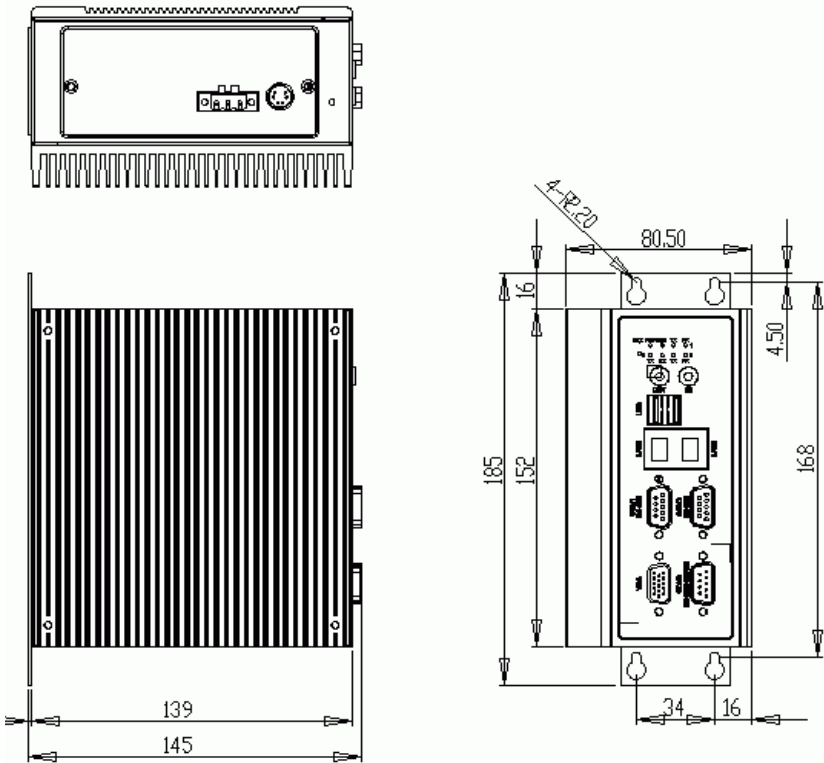


Figure 1.1: Chassis Dimensions

Hardware Functionality

This chapter shows how to set up the UNO-1150's hardware functions, including connecting peripherals, switches and indicators.

Sections include:

- UNO-1150 Peripherals
- COM1: RS-232 Interfaces
- COM2~3: RS-232/422/485 Interfaces
- LAN: Ethernet Connector
- Power Connector
- LED Indicators
- PS/2 Keyboard and Mouse Connector
- Universal Serial Bus Connectors
- VGA: VGA Display Connector
- RESET: Reset Button
- Audio

Chapter 2 Hardware Functionality

2.1 UNO-1150 Peripherals

The following figures show the connectors on UNO-1150. The following sections give you detailed information about function of each peripheral.

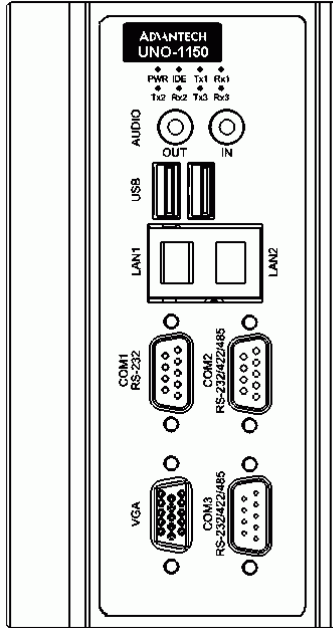


Figure 2.1: UNO-1150 Front View

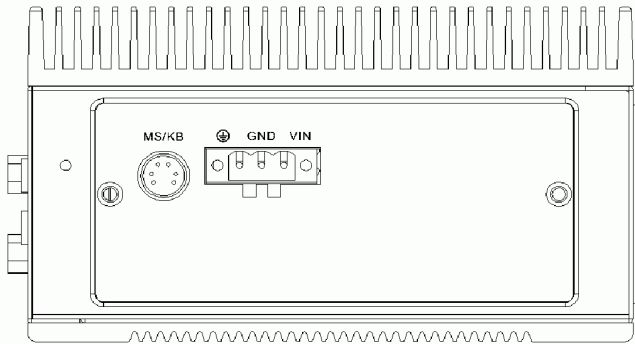


Figure 2.2: UNO-1150 Top View

2.2 COM1: RS-232 Interfaces

The UNO-1150 offers one standard RS-232 serial communication interface port on COM1. Please refer to A.2 for pin assignments.

2.3 COM2~COM3: RS-232/422/485 Interfaces

The UNO-1150 offers two RS-232/422/485 serial communication interface ports, and they are COM2 and COM3. Both port can be configured individually to either RS-232, RS422/485 by using on-board jumpers. Please refer to A.3 for pin assignments and Table 2.1 lists the default setting of each port.

Table 2.1: COM2 & COM3 Default Settings

COM Port	Default Setting
COM2	RS-422/485
COM3	RS-422/485

2.3.1 16C954 UARTs with 128-byte standard

Advantech UNO-1150 comes standard with Oxford 16PCI962 UARTs containing 128 bytes FIFOs. These upgraded FIFOs greatly reduce CPU overhead and are an ideal choice for heavy multitasking environments.

2.3.2 Jumps for RS-422/485

In RS-422/485 mode, UNO-1150 automatically sense signals to match RS-422 or RS-485 network. No need to change jumpers.

2.3.3 Automatic Data Flow Control Function for RS-485

In RS-485 mode, UNO-1150 automatically senses the direction of incoming data and switches its transmission direction accordingly. Therefore no handshaking signal (e.g. RTS signal) is necessary. This feature lets you simply and quickly build an RS-485 network with just two wires. More importantly, application software previously written for half duplex RS-232 environments can be maintained without need for modification.

2.3.4 RS-232/422/485 Selection

COM2 and COM3 support 9-wire RS-232, RS-422 or RS-485 interfaces, and you can set corresponding jumpers to select serial ports as RS-232 or RS-422/485 interfaces shown in Table 2.2. Please note to reset the system to adapt this configuration change

The system detects RS-422 or RS-485 signals automatically in RS-422/485 mode.

Table 2.2: Selecting RS-232/422/485 (COM2&3)

Serial Port	Corresponding Jumper to Select RS-232/422/485
COM2	CN11
COM3	CN4

Jumper Setting for RS-422/485 Interface: (Default Setting)

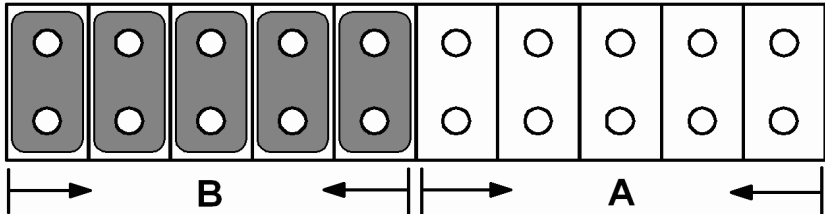


Figure 2.3: RS-422/485 Jumper Settings

Jumper Setting for RS-232 Interfaces:

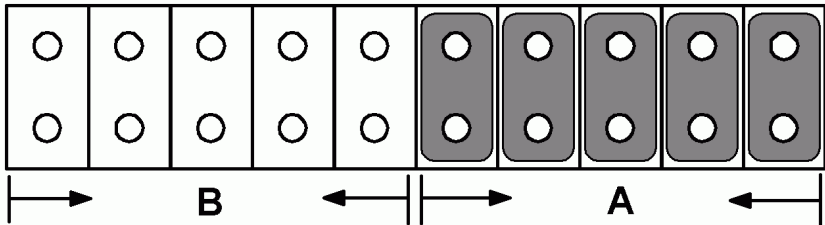


Figure 2.4: RS-232 Jumper Settings

2.3.5 Terminal Resistor Setup for RS-422/485

The onboard termination resistor (120 Ohm) for COM2/COM3 can be used for long distance transmission or device matching. (Default Open.) Each terminal resistor responds to different channels for RS-422/485.

Usually, these resistors are needed for both ends of the communication wires and the value of the resistors should match the characteristic impedance of the wires used.

Table 2.3: Terminal Resistor Settings

COM port	Switch No.	Pin	Setting	Description
COM2	SW4	1	ON	120 Ohm between Data+/Data- (RS-485) Or 120 Ohm between Tx+/Tx- (RS-422)
			OFF	Open (Default)
		2	ON	120 Ohm between Rx+/Rx- (RS-422)
			OFF	Open (Default)
COM3	SW1	1	ON	120 Ohm between Data+/Data- (RS-485) Or 120 Ohm between Tx+/Tx- (RS-422)
			OFF	Open (Default)
		2	ON	120 Ohm between Rx+/Rx- (RS-422)
			OFF	Open (Default)

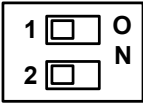
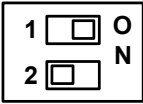
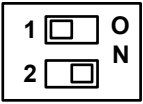
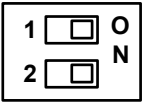
2.3.6 RS-485 Auto Flow & RS-422 Master/Slave Mode

You can set the “Auto Flow Control” mode of RS-485 or “Master/Slave” mode of RS-422 by using the SW2 DIP switch for each RS-422/485 port.

In RS-485, if the switch is set to “Auto”, the driver automatically senses the direction of the data flow and switches the direction of transmission. No handshaking is necessary.

In RS-422, if DIP switch is set to “On,” the driver is always enabled, and always in high or low status.

Table 2.4: Auto Flow & Slave/Master Selection

SW2 DIP Switch Setting	COM Port	Mode Selections
	COM2	RS-422: Slave mode
		RS-485: Auto flow control
	COM3	RS-422: Slave mode
		RS-485: Auto flow control
	COM2	RS-422: Master mode
		RS-485: N/A
	COM3	RS-422: Slave mode
		RS-485: Auto flow control
	COM2	RS-422: Slave mode
		RS-485: Auto flow control
	COM3	RS-422: Master mode
		RS-485: N/A
	COM2	RS-422: Master mode
		RS-485: N/A
	COM3	RS-422: Master mode
		RS-485: N/A

2.4 LAN: Ethernet Connector

The UNO-1150 is equipped with two Realtek RTL8100CL Ethernet LAN controllers that are fully compliant with IEEE 802.3u 10/100Base-T CSMA/CD standards. The Ethernet port provides a standard RJ-45 jack onboard, and LED indicators on the front side to show its Link (Yellow LED) and Active (Green LED) status. Please refer to A.4 for its pin assignments.

2.5 Power Connector

The UNO-1150 comes with a Phoenix connector that carries 10~36 VDC external power input, and has reversed wiring protection. Therefore, it will not cause any damage to the system by reversed wiring of ground line and power line. Please refer to A.5 for its pin assignments.

2.6 LED Indicators

There are three kinds of LEDs on the UNO-1150 front panel

- **PWR**: system power status
- **IDE**: IDE bus status
- **Txn, Rxn**: Serial communication status of COM Port n

2.7 PS/2 Keyboard and Mouse Connector

The UNO-1150 provides a PS/2 keyboard and PS/2 mouse connector. A 6-pin mini-DIN connector is located on the rear panel of the UNO-1150. The UNO-1150 comes with an adapter to convert from the 6-pin mini-DIN connector to two 6-pin mini-DIN connectors for PS/2 keyboard and mouse connections. Please refer to Appendix A.6 for pin assignments.

2.8 Universal Serial Bus Connectors

The USB connector is used for connecting any device that conforms to the USB interface. Many recent digital devices conform to this standard. The USB interface supports Plug & Play, which enables you to connect or disconnect a device whenever you want without turning off the computer.

The UNO-1150 provides two connectors with USB interfaces, which gives complete Plug & Play and hot swapping for up to 127 external devices. The USB interface complies with USB specification version 1.1 compliant. OpenHCI, Rev. 1.0. The USB interface can be disabled in the system BIOS setup. Please refer to Appendix A.7 for its pin assignments.

2.9 VGA: VGA Display Connector

The UNO-1150 provides a VGA controller for a high resolution VGA interface. It supports VGA and VESA, up to 1280 x 1024 @ 256 color and 1024 x 768 @ 24bpp resolution and up to 16 MB share memory. The VGA interface is reserved for system testing and debugging.

2.10 RESET: Reset Button

UNO-1150 provides a reset button on the top of the device.

2.11 Audio

UNO-1150 supports audio function with:

- Line In
- Line Out

Initial Setup

This chapter shows how to initial the UNO-1150, sections include:

Sections include:

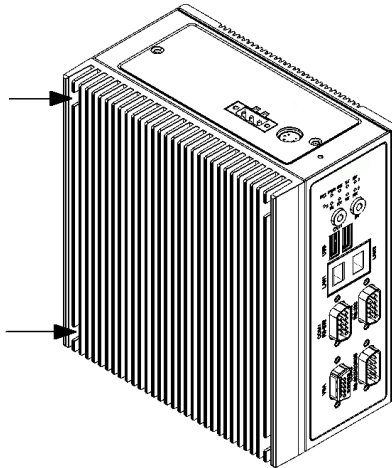
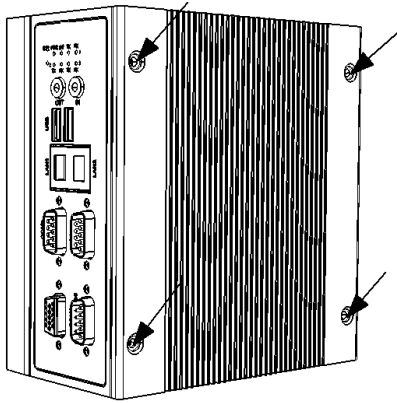
- CompactFlash installation
- Chassis grounding
- Power connection
- BIOS setup and system assignments

Chapter 3 Initial Setup

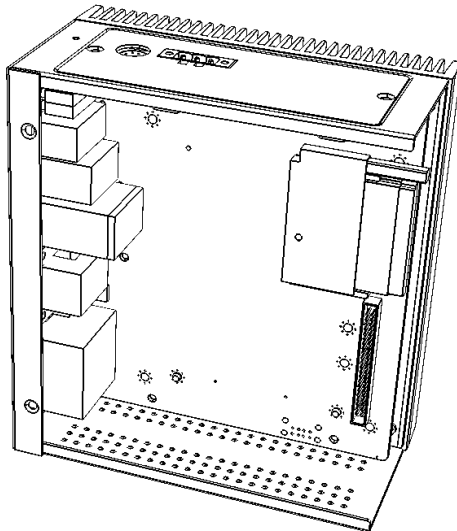
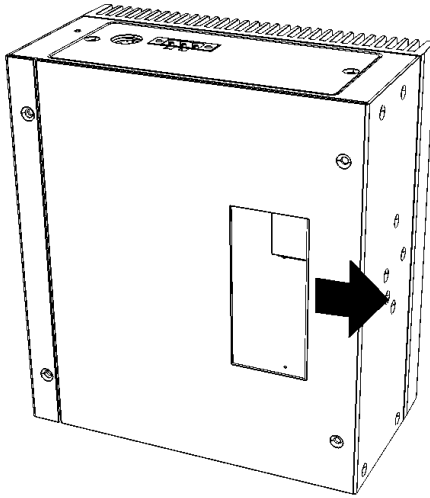
3.1 CompactFlash Card Installation

The procedure for installing a CompactFlash card into the UNO-1150 is as follows, please follows these steps carefully.

1. Remove the power.
2. Unscrew six screws from UNO-1150 indicated below.



3. Remove the rear cover.



4. Plug a CompactFlash card with user's OS and application program into a CompactFlash card slot on board.
5. Screw back the rear cover and the six screws.

3.2 Chassis Grounding

Please connect the chassis ground of UNO-1150 with "EARTH".

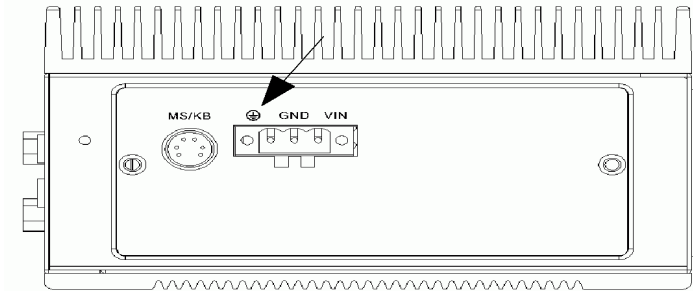


Figure 3.1: Chassis Grounding Connection

3.3 Power Connection

Connect the UNO-1150 to a 10 ~ 30 VDC power source. The power source can either be from a power adapter or an in-house power source.

3.4 BIOS Setup and System Assignments

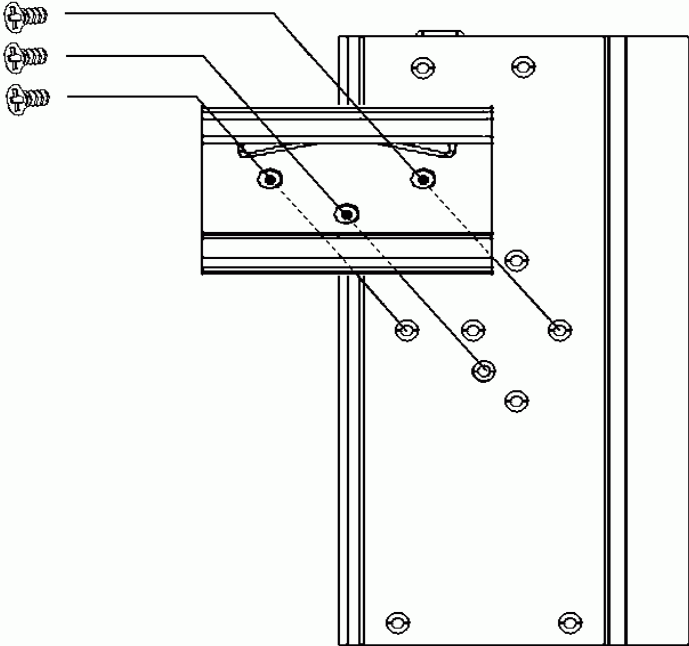
UNO-1150 uses the Advantech SOM-2354 CPU module. For UNO-1150 BIOS setup and system assignments, you can refer to SOM-2354's Chapter 4 "Award BIOS Setup" and Appendix A "System Assignments". The SOM-2354 user's manual is in the "Manual" folder on the CD-ROM.

Please note that you can try to "LOAD BIOS DEFAULTS" from the BIOS Setup manual if UNO-1150 does not work properly.

3.5 DIN-Rail Mounting Setup

Please follow the below steps to mount the UNO-1150 on the DIN-Rail.

1. Screw the provided DIN-Rail Kit on the rear side of UNO-1150 as the diagram shown below.



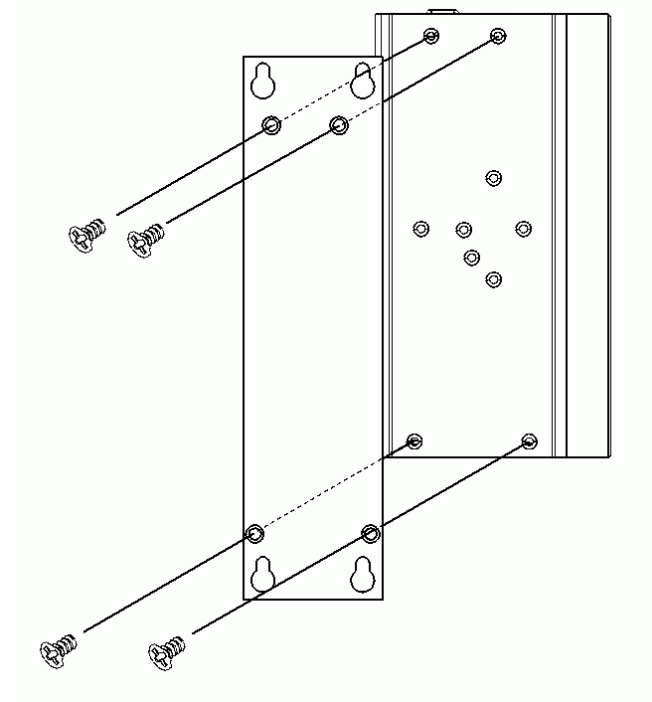
2. Hang the UNO-1150 to the DIN-Rail with angle of inclination about 30 degree.
3. Let UNO-1150 down straight to slide over the Rail smoothly.

Note: *To get the UNO-1150 down from the Rail, push the device top to down then pull the bottom of the device to let it off the Rail smoothly.*

3.6 Wallmounting Setup

Please follow the below steps to mount the UNO-1150 on the wall.

1. Screw the provided Wall Mounting Kit on the rear side of UNO-1150 as the diagram shown below.



2. Mount the device on the wall by the 2 pairs hooking hole provided by the Wall Mounting Kit.

Pin Assignments

This appendix shows the UNO-1150 pin assignments

- Board connectors and jumpers
- RS-232 serial port (COM 1)
- RS-232/422/485 serial port (COM2~3)
- Ethernet RJ-45 connector
- Power screw terminal
- PS/2 keyboard and mouse connector
- USB connector
- VGA display connector
- CompactFlash master/slave jumper setting
- Enhanced IDE connector

Appendix A Pin Assignments

A.1 Board Connectors and Jumpers

There are connectors and jumpers on the UNO-1150 board. The following sections tell you how to configure the UNO-1150 hardware setting. Figure A-1 and figure A-2 show the locations of UNO-1150 connectors and jumpers.

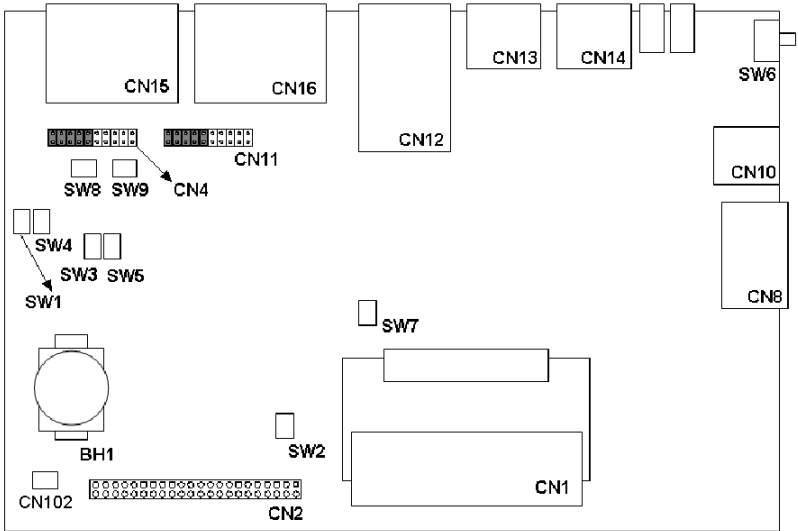


Figure A.1: Connector & Jumper Locations (Top)

Table A.1: Connectors & Jumpers

BH1	Lithium battery for BIOS
CN1	Internal CompactFlash card slot
CN2	Internal IDE connector
CN4	COM3 RS-232/422/485 selection
CN8	Power Screw Terminal
CN10	PS/2 keyboard and mouse connector
CN11	COM2 RS-232/422/485 selection
CN12	Ethernet port 1 / Ethernet port 2
CN13	USB connector
CN14	Audio line in / Audio line out
CN15	VGA DB15 display connector/ COM3 RS-232/422/485 serial port
CN16	COM1 RS-232 serial port / COM2 RS-232/422/485 serial port
CN102	Clear CMOS
SW1	Terminal resister for COM3
SW2	RS-485 auto-flow and RS-422 Master/Slave mode for COM2/3
SW3	Pull high/low for COM2 Data+/- (RS-485) and Tx+/- (RS-422)
SW4	Terminal resister for COM2
SW5	Pull high/low for COM2 Rx+/- (RS-422)
SW7	CompactFlash Master/Slave Setting
SW8	Pull high/low for COM3 Data+/- (RS-485) and Tx+/- (RS-422)
SW9	Pull high/low for COM3 Rx+/- (RS-422)

A.2 RS-232 Serial Port (COM1)

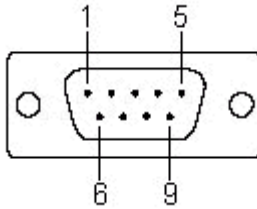


Table A.2: RS-232 Serial Port Pin Assignments

Pin	Signal Name
1	DCD
2	RxD
3	TxD
4	DTR
5	GND
6	DSR
7	RTS
8	CTS
9	RI

A.3 RS-232/422/485 Serial Port (COM2~COM3)

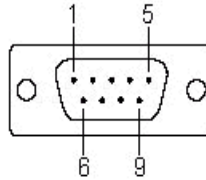


Table A.3: RS-232/422/485 Serial Ports

Pin	RS-232	RS-422	RS-485
1	DCD	Tx-	DATA-
2	RxD	Tx+	DATA+
3	TxD	Rx+	NC
4	DTR	Rx-	NC
5	GND	GND	GND
6	DSR	NC	NC
7	RTS	NC	NC
8	CTS	NC	NC
9	RI	NC	NC

A.4 Ethernet RJ-45 Connector (LAN1~LAN2)

Table A.4: Ethernet RJ-45 Connector Pin Assigns

Pin	10/100Base-T Signal Name
1	XMT+
2	XMT-
3	RCV+
4	NC
5	NC
6	RCV-
7	NC
8	NC

A.5 Power Screw Terminal (CN8)

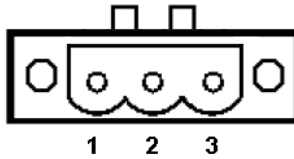


Table A.5: Phoenix Power Connector Pin Assigns

Pin	Signal Name
1	VIN (10 ~ 36 VDC)
2	GND
3	Field Ground

A.6 PS/2 Keyboard and Mouse Connector (CN10)

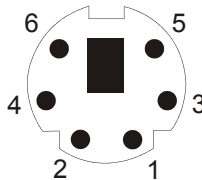


Table A.7: Keyboard & Mouse Connector Pin Assigns

Pin	Signal Name
1	KB DATA
2	MS DATA
3	GND
4	VCC
5	KB CLOCK
6	MS CLOCK

A.7 USB Connector (CN13)

Table A.8: USB Connector Pin Assignments

Pin	Signal Name	Cable Color
1	VCC	Red
2	DATA-	White
3	DATA+	Green
5	GND	Black

A.8 VGA Display Connector (CN15)

Table A.9: VGA Adaptor Cable Pin Assignments

Pin	Signal Name	Pin	Signal Name
1	RED	9	EDID Power
2	GREEN	10	GND
3	BLUE	11	NC
4	NC	12	NC
5	GND	13	H-SYNC
6	GND	14	V-SYNC
7	GND	15	NC
8	GND		

Chipset

The UNO-1150 uses a AMD CS5535 chipset for its SVGA controller. It supports interlaced and non-interlaced analog monitors (color and monochrome VGA) in high-resolution modes while maintaining complete IBM VGA compatibility. Digital monitors (i.e. MDA, CGA and EGA) are NOT supported. Multiple frequency (multisync) monitors are handled as if they were analog monitors.

Display Memory

With 1 ~ 16 MB share memory, the VGA controller can drive CRT displays or color panel displays with resolutions up to 1024 * 768 at 24 bpp. For 1024 * 768 at 24 bpp resolution, display is expanded to 16 MB in BIOS.

A.9 CompactFlash Master/Slave Setting (SW7)

The CompactFlash interface uses a primary IDE channel, which can be set as the master or slave device by changing the setting of SW7.

Table A.10: CompactFlash Master/Slave Settings

Pin	Setting	Description
1	ON (Default)	CF is Master Device
	OFF	CF is Slave Device
2	Reserved	

UNO-1150 has one internal CompactFlash card slot which supports CompactFlash type I (3mm thick) and type II (5 mm thick) cards.

Note: If you build up WinCE OS in CompactFlash card by yourself, we strongly recommend that CompactFlash should be set as Master Device.

A.10 RS-422/485 Signal Pull High/Low Settings

(SW3/SW5/SW8/SW9)

Table A.11: Terminal Resistor Settings					
COM	Switch	Pin	Related Line	Setting	Description
COM2	SW3	1	Data- (RS-485) Tx- (RS-422)	* ON	Pull low to GND (4.7K Ohm)
				OFF	Open
		2	Data+ (RS-485) Tx+ (RS-422)	* ON	Pull high to 5V (4.7K Ohm)
				OFF	Open
	SW5	1	Rx- (RS-422)	* ON	Pull low to GND (4.7K Ohm)
				OFF	Open
		2	Rx+ (RS-422)	* ON	Pull high to 5V (4.7K Ohm)
				OFF	Open
COM3	SW8	1	Data- (RS-485) Tx- (RS-422)	* ON	Pull low to GND (4.7K Ohm)
				OFF	Open
		2	Data+ (RS-485) Tx+ (RS-422)	* ON	Pull high to 5V (4.7K Ohm)
				OFF	Open
	SW9	1	Rx- (RS-422)	* ON	Pull low to GND (4.7K Ohm)
				OFF	Open
		2	Rx+ (RS-422)	* ON	Pull high to 5V (4.7K Ohm)
				OFF	Open

*Note1: * indicate the default setting.*

Note2: The line would have the risk to be floating if it is set to be Open. This setting is only for special purpose.

A.11 Enhanced IDE Connector (CN2)

Table A.12: IDE Hard Drive Connector Pin Assigns

Pin	Signal Name	Pin	Signal Name
1	IDE RESET	2	GND
3	DATA 7 (*2)	4	DATA 8 (*2)
5	DATA 6 (*2)	6	DATA 9 (*2)
7	DATA 5 (*2)	8	DATA 10 (*2)
9	DATA 4 (*2)	10	DATA 11 (*2)
11	DATA 3 (*2)	12	DATA 12 (*2)
13	DATA 2 (*2)	14	DATA 13 (*2)
15	DATA 1 (*2)	16	DATA 14 (*2)
17	DATA 0 (*2)	18	DATA 15 (*2)
19	SIGNAL GND	20	N/C
21	DMA REQUEST	22	GND
23	IO WRITE (*2)	24	GND
25	IO READ (*2)	26	GND
27	IO CHANNEL	28	GND (*1)
	READY		
29	HDACK	30	GND
31	IRQ	32	N/C
33	ADDR 1	34	N/C
35	ADDR 0	36	ADDR 2
37	HARD DISK	38	HARD DISK
	SELECT 0 (*2)		SELECT 1 (*2)
39	IDE ACTIVE	40	GND
41	VCC	42	VCC
43	GND	44	N/C