

TREK-305R

5.7" Touch Panel for Fleet Management



Features

- 5.7" color TFT LCD panel & resistive type touch screen
- 2W speaker
- LCD power button
- VESA mounting
- Wide temperature support
- Design compatible with VITA series

Introduction

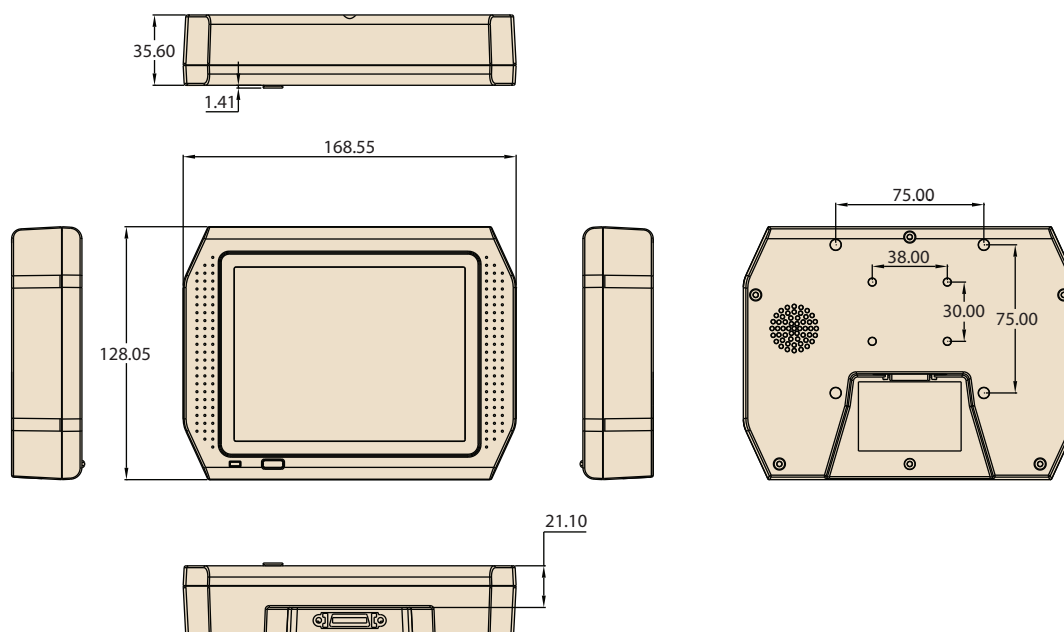
Advantech TREK-305R touch panel is the perfect size to fit into tight spaces and the applications of fleet management in dispatching purpose. TREK-305R of 5.7" touch screen panel provides excellent capabilities and expanded features with industrial standard VESA mounting holes, light-weight housing, and convenient mounting accessories. Design compatible with VITA series.

Specifications

Display	Type	QVGA TFT LCD (Toshiba LTA057A344F)
	Colors	18 bits (256K)
	Resolution	320 x 240
	Size (diagonal)	5.7" (4 : 3)
	Pixel Pitch	0.36 (W) x 0.36 (H)
	View Angel (H°, V°)	H: 140° V: 120°
	Brightness	320 nits by LED backlight
	Touchscreen	4-wire resistive
	Contrast ratio	500
	Backlight Life time (hrs)	20000
I/O	LVDS	1 x 26pin connector connector
	Audio	2 Watt speaker out
Power	DC Input	3.3 V and 5 V
	LCD power button	Push button
	Power Consumption	1.3 W
Mechanical	Mounting	VESA mount
	Material	PC
	Weight	400 (g)
	Dimension W x H x D (mm)	168.55 x 128.05 x 35.6
Environment	Operating Temperature	-10 ~ 70° C
	Storage Temperature	-30 ~ 80° C
	Vibration	MIL-STD-810F 514.5C-3
Certificate	FCC	FCC 47 CFR part 15B
	IC	ICES-003 issue 4
	CE	EN55022/ 55024
	E13	ECE-R10 (v.03)
	BSMI	CNS 13438

Dimensions

Unit: mm



Ordering Information

Part Number	Description
TREK-305R-FLA0E	5.7" color TFT LCD with touch screen, 2 Watt speaker, and Power button
VITA-350P-GA0E	AVL with GPS, GPRS, DI/O, RS232, LVDS (TREK is design compatible with VITA)

Packing List

Description	Quantity
TREK-305R	1
2 meters cable with 4 digital I/O connector	1