

TPC-66SN

TPC-66T

5.7" QVGA CSTN LCD XScale PXA270 Touch Panel Computer

5.7" QVGA TFT LCD XScale PXA270 Touch Panel Computer

NEW



Features

- Intel® XScale PXA processor on board
- 5.7" QVGA TFT LCD
- Super slim and compact design with plastic housing
- Fanless cooling system
- NEMA4/IP65 compliant front panel
- Built-in flash memory and Windows® CE OS
- One CompactFlash® slot
- Automatic data flow control RS-485

Introduction

The TPC-66 models are compact platforms without redundant functions, which have been designed for small-sized operator interface applications. They have 5.7" TFT LCD display which is a cost effective choice for a limited budget. Its RISC kernel, the Intel XScale PXA processor consumes minimum power without sacrificing performance. The TPC-66 has 10/100Base-T Ethernet port offering solid communication ability and comes bundled with a Windows® CE OS that supports Thin-Client solutions. The built-in Windows® CE OS platform lets TPC-66 become an Open HMI solution for system integration.

Specifications

General

- **Certifications** BSMI, CCC, CE, FCC, UL
- **Cooling System** Fanless design
- **Dimensions (W x H x D)** 195 x 148 x 44.4 mm (7.68" x 5.83" x 1.75")
- **Enclosure** ABS
- **Mounting** Panel
- **OS Support** Windows CE 5.0 (English Version)
- **Power Consumption** 12 W
- **Power Input** 18 ~ 32 V_{DC}
- **Watchdog Timer** Programmable as 250 ms, 500 ms, 1 second
- **Weight (Net)** 0.8 kg (1.76 lb)

System Hardware

- **CPU** TPC-66SN: Intel PXA270 416MHz
TPC-66T: Intel PXA270 312MHz
- **Memory** 64MB on board SDRAM
- **LAN** 10/100Base-T x 1
- **Storage** 64 MB MDOC on board
CompactFlash® slot x 1 (GPIO)
- **I/O** TPC-66SN: Full RS-232 x 2 (COM1,2)
4-pin RS-232/RS-485 x 1 (COM3) with auto data flow control
USB 1.1 Host x 1
USB 1.1 Client x 1
TPC-66T: Full RS-232 x 2 (COM1, 2)
RS-485 x 1 (COM3) with auto data flow control
USB 1.1 Client x 1

LCD Display

| | TPC-66SN | TPC-66T |
|---------------------------------------|---------------|--------------|
| ▪ Display Type | QVGA CSTN LCD | QVGA TFT LCD |
| ▪ Display Size | 5.7" | 5.7" |
| ▪ Max. Resolution | 320 x 240 | 320 x 240 |
| ▪ Max. Colors | 64 K | 64 K |
| ▪ Luminance (cd/m²) | 400 | 300 |
| ▪ Viewing Angle (H/V) | 100/55 | 140/120 |
| ▪ Backlight Life | 60,000 hrs | 30,000 hrs |
| ▪ Contrast Ratio | 55:1 | 500:1 |

Touchscreen

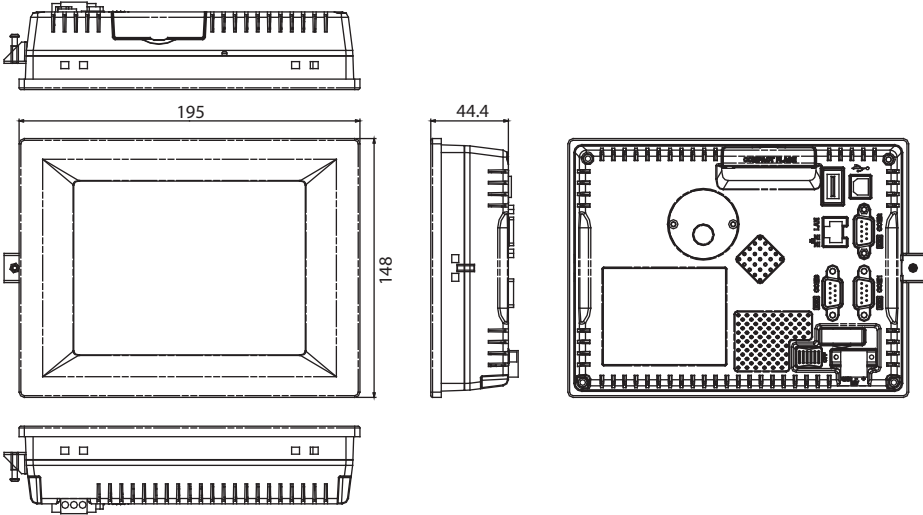
- **Type** 4-wire, analog resistive
- **Resolution** 1024 x 1024
- **Light Transmission** Above 75%
- **Lifespan** 10 millions times with a silicone rubber of 8 mm diameter finger

Environment

- **Humidity** 10 ~ 95% RH @ 40° C, non-condensing
- **Ingress Protection** Front panel: NEMA4, IP65
- **Operating Temperature** 0 ~ 50° C (32 ~ 122° F)
- **Storage Temperature** -20 ~ 60° C (-4 ~ 140° F)
- **Vibration Protection** 1 Grms (5 ~ 500 Hz)
(Operating, random vibration)

Dimensions

Unit: mm



Panel Cut-out Dimensions: 188.4 x 141.4 mm

Ordering Information

- **TPC-66T-E2BE** 5.7" QVGA Touch Panel PC, PXA270 312 MHz, 64 MB
- **TPC-66SN-E2AE** 5.7" QVGA Touch Panel PC, PXA270 416 MHz, 64 MB
- **PWR-247-AE** 24 V 50 W AC-DC Power Adapter

Rear View

TPC-66T

