

TPC-1271H

12.1" SVGA TFT LCD Intel® Atom™ Dual-Core D525 Touch Panel Computer



Features

- Intel® Atom™ processor up to 1.8 GHz
- 12.1" SVGA TFT LCD
- Compact design with die-cast Al front bezel
- Fanless cooling system
- NEMA4/IP65 compliant front panel
- PCIe and Mini PCIe expansion support
- 8 DI/O and backup SRAM support
- Supports DDR3 SDRAM
- Serial port isolation protection
- EN50155 power design compliant
- Automatic data flow control RS-485
- Gigabit Ethernet supported
- Supports Microsoft® Windows® 7/ XP/ WES / WEC

Introduction

With a high quality TFT LCD display, TPC-1271H is designed with the Intel® Atom™ D525 processor as its core. The Intel® Atom™ has low power consumption and 1.8 GHz operating frequency. This system is fanless although the kernel is powerful. In addition, spindle-free storage makes the TPC-1271H a durable and reliable platform. For applications where spindle-free storage is not critical, a fast-access HDD module can be used. The rich I/O portfolio meets diverse requests.

Specifications

General

- **BIOS** AMI
- **Certifications** BSMI, CCC, CE, FCC Class A, UL
- **Cooling System** Fanless design
- **Dimensions (W x H x D)** 311 x 237 x 71.6 mm (12.24" x 9.33" x 2.82")
- **Enclosure** Front bezel: Die-cast Aluminum alloy
Back housing: ABS + PC
- **Mounting** Desktop, Wall or Panel Mount
- **OS Support** Microsoft® Windows® 7/ XP/ WES / WEC*
- **Power Consumption** 20 W (typical)
- **Power Input** 9 ~ 32 V_{DC}
- **Watchdog Timer** 1 ~ 255 sec (system)
- **Weight (Net)** 4.57 kg (10.07 lbs)

System Hardware

- **CPU** Intel® Atom™ D525 1.8 GHz with 1MB cache
- **Chipset** ICH8M
- **Memory** 2GB SO-DIMM DDR3 SDRAM
- **LAN** 10/100/1000Base-T x 2
- **Expansion Slots** PCI-E and Mini PCI-E
- **Storage** CompactFlash® slot x 1
2.5" SATA HDD x 1 (SATA2 optional)
- **I/O** RS-232 x 2 (COM1, 3) with isolation
RS-422/485 x 1 (COM4) with isolation and auto data flow control
USB 2.0/1.1 x 2 (Host)

LCD Display

- **Display Type** SVGA TFT LCD
- **Display Size** 12.1"
- **Max. Resolution** 800 x 600
- **Max. Colors** 262 K
- **Luminance cd/m²** 450
- **Viewing Angle (H/V°)** 160/140
- **Backlight Life** 50,000 hrs
- **Contrast Ratio** 700 : 1

Touchscreen

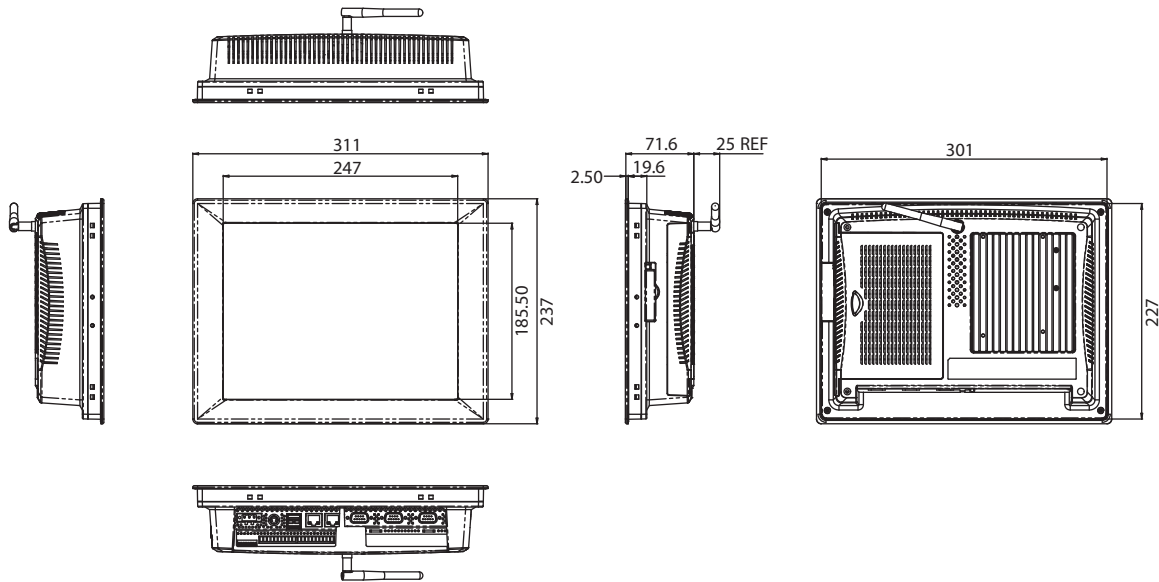
- **Lifespan** 10 million touches at single point
- **Light Transmission** Above 75%
- **Resolution** Linearity
- **Type** 5-wire, analog resistive

Environment

- **Humidity** 10 ~ 95% RH @ 40° C, non-condensing
- **Ingress Protection** Front panel: NEMA4, IP65
- **Operating Temperature** 0 ~ 50° C (32 ~ 122° F)
- **Storage Temperature** -20 ~ 60° C (-4 ~ 140° F)
- **Vibration Protection** With HDD: 1 Grms (5 ~ 500 Hz)
(Operating, random vibration)

Dimensions

Unit: mm



Panel Cut-out Dimensions: 302 x 228 mm

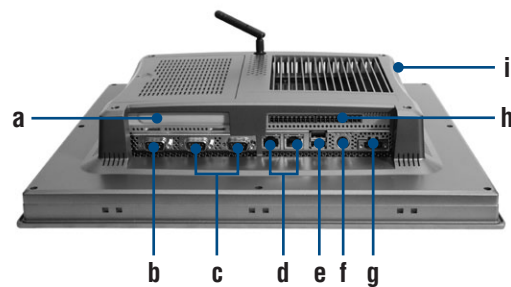
Ordering Information

- **TPC-1271H-D3AE** 12.1" SVGA Touch Panel PC, D525 1.8 GHz, 3 GB

Accessories

- **1757003463** 100-240V_{AC} to 19V_{DC} 90W Power Adapter
- **1700001524** Power Cord 3P UL 10A 125V 1.8M
- **1702002605** Power cable EU Plug 1.8M
- **1702031801** Power cable UK Plug 1.8M
- **1702031836** Power cable China/Australia Plug 1.8M
- **TPC-X71H-EIOE** TPC-1071/1271/1571 8DI/8DO kit
- **968EMW0028** WLAN IEEE 802.11 b/g/n Mini PCIe
- **PWR-247-AE** 50W DC 24V/2.3A Output Power Supply

Rear View



- a. PCI-E slot
- b. COM (RS-422/485)
- c. COM (RS-232)
- d. LAN (10/100/1000)
- e. USB 2.0
- f. PS/2
- g. Power Receptor
- h. DI/O ports
- i. CompactFlash

* Windows XPe supports 10 languages with MUI. (English, Traditional Chinese, Simplified Chinese, French, German, Spanish, Russian, Italian, Japanese and Korean)