

# SOM-5786 Series

Intel® Core™ 2 Duo Processor  
COM-Express Module with CPU,  
VGA/LVDS, Audio & LAN

**NEW**



## Features

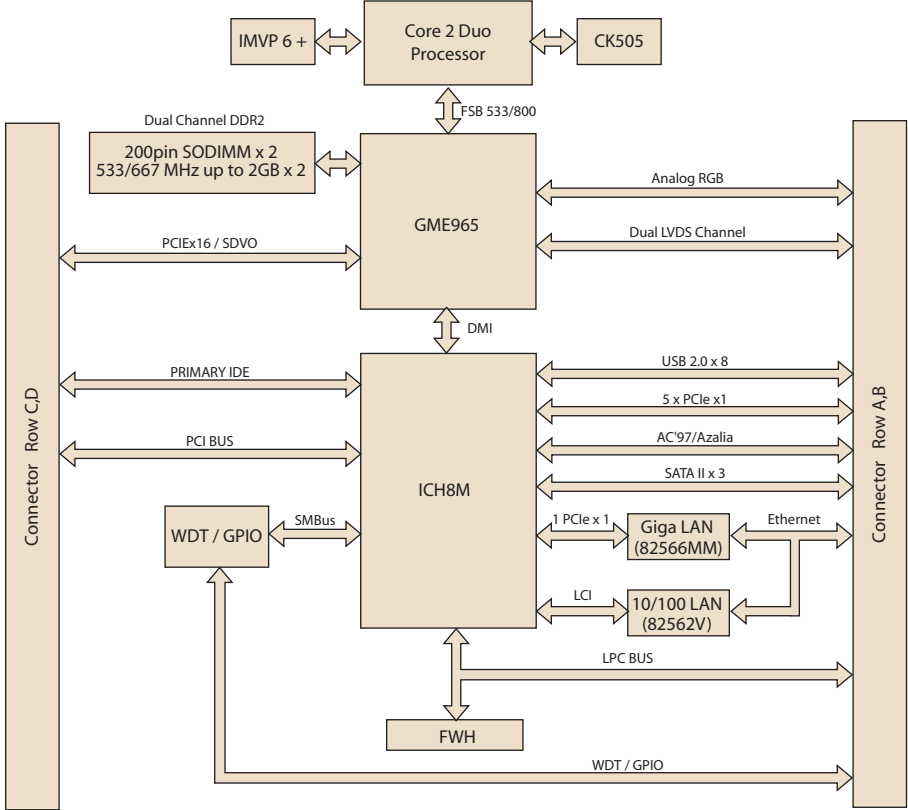
- Embedded Intel® Core™ 2 Duo processor
- Supports PCI Express
- Supports 8 host USB 2.0 ports and 3 SATA ports
- Supports dual channel LVDS panel
- Supports dual DDR2 SODIMM up to 4 GB
- Supports PCIe x16 or 2 SDVO



## Specifications

Processor System	CPU	Embedded Intel Core 2 Duo Processor w/64 KB primary cache memory
	System Memory	2 x 200-pin SODIMM sockets, DDR 533/667 MHz up to 4 GB
	2nd Cache Memory	4 MB on the Intel Core™ 2 Duo Processor
	System Chipset	Intel GME965 GMCH/ICH8-M Chipset 533/800 MHz FSB
	BIOS	AWARD™ 4 Mbit Flash BIOS
	WatchDog Timer	256 levels timer interval, from 0 to 255 sec or min setup by software, jumperless selection, generates system reset
I/O	Expansion Interface	Supports PCI Express & PCI/LPC interface
	PATA	1 x EIDE (UDMA 100)
	SATA II	3 x SATA, data transfer rates up to 300 MB/s
	USB	8 x USB 2.0 compliant ports
Ethernet	Audio	High definition audio interface (AC97/Azalia)
	Chipset	Intel 82566MM Gigabit Ethernet
Display	Speed	1000Base-T
	Chipset	Intel GME965
	Memory Size	DVMT 4.0 support up to 384 MB
Power	Resolution	CRT Display Mode: Supports max DAC frequency up to 300 MHz and 24-bit RAMDAC, DDC2B compliant and up to 2048 x 1536 LCD Interface: Supports 48/24bit LVDS TFT LCD up to 1280 x 1024
	Power Supply Voltage	+12 V, +5 VSB for ATX
Environment	Power Requirement	Typical: (1 GB DDR2 667) +12 V @ 2.56 A (Intel Core 2 Duo T7500)
	Operating Temperature	0 - 60° C (32 - 140° F)
Mechanical	Operating Humidity	0% - 90% relative humidity, non-condensing
	Dimension	125 x 95 mm (4.92" x 3.74")

### Board Diagram



### Ordering Information

**SOM Module**

Part No.	CPU
SOM-5786FG-00A1E	Socket 478
SOM-5786FG-S6A1E	Intel Core 2 Duo L7500 @ 1.6 GHz

**Development Board**

Part No.	Description
SOM-DB5700G-00A2E	Development Board for SOM-Express GLAN Rev.A2