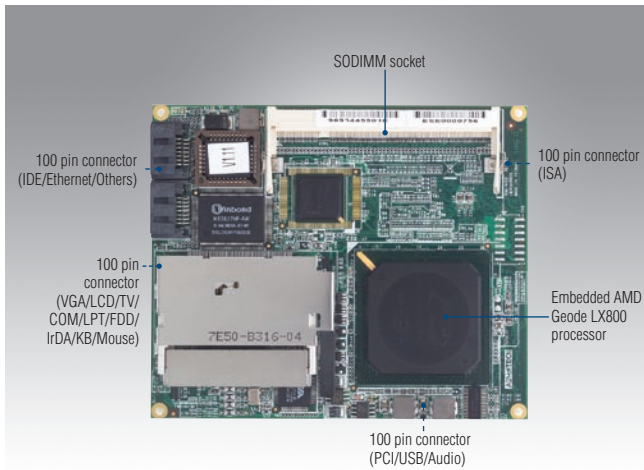


SOM-4455

AMD Geode™ LX800 CPU ETX Module with CPU, VGA/LVDS, Audio & LAN



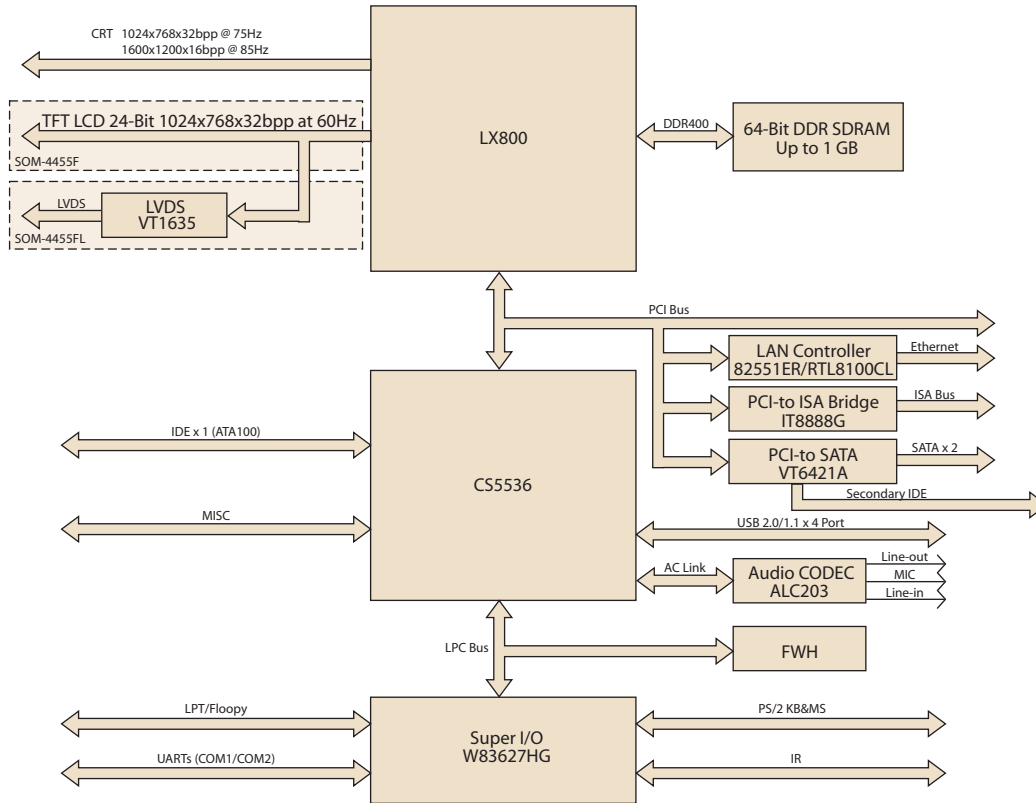
Features

- Embedded AMD Geode™ LX800 CPU
- AMD LX800 Integrated Graphic Chip
- Supports 24-bit TTL or LVDS Panel
- Supports DDR High Speed Memory Technology
- Supports 4 USB 2.0 / 2 COMs / Audio / LAN / SATA

Specifications

Processor System	CPU	Embedded AMD Geode LX800-500 MHz
	System Memory	1 x 200-pin SODIMM sockets, DDR 200/266/333/400 MHz up to 1 GB
	System Chipset	AMD CS 5536
	BIOS	AWARD™ 4 M bit Flash BIOS
	SSD	Supports CompactFlash® card
	Watchdog Timer	256 levels timer interval, from 1 to 255 sec or min setup by software, jumperless selection, generates system reset
	Expansion Interface	PCI/ISA
I/O	MIO	2 x EIDE Channel (Rev.A2), 1 x FDD/LPT, 1 x Keyboard, 1 x Mouse, 2 x RS-232, 2 x SATA (Rev.A2)
	IrDA	115 kbps, IrDA 1.0 compliant
	Audio	AMD CS 5536, AC'97 2.3 compliant
	USB	4 x USB ports, USB 2.0/1.1 compliant
Ethernet	Chipset	Intel® 82551ER 10/100Mbps Ethernet Chip
	Speed	10/100Base-T
Display	Chipset	AMD Geode LX800/CS 5536
	Memory Size	Share system memory up to 254 MB
	Resolution	CRT Mode: 1024 x 768 @ 22 bpp (85 Hz), 1600 x 1200 @16 bpp (75 Hz) LCD Interface: 18bit TTL TFT LCD up to 1024 x 768 or 24bit LVDS TFT LCD up to 1027 x 768
Power	Power Supply Voltage	+5 V ±5%
	Power Requirements	Typical: (1 GB DDR 333) +5V @ 1.8A (AMD LX800) Max: (1 GB DDR 333) +5V @ 2.01A (AMD LX800)
Environmental	Operating Temperature	0 – 60° C (32 – 140° F), fanless operation
	Operating Humidity	0% – 90% relative humidity, noncondensing
Mechanical	Dimensions (L x W)	95 x 114 mm (3.7" x 5.4")

Board Diagram



Ordering Information

Part No.	CPU	LCD	IDE	SATA	Operation temp.
SOM-4455F-L0A2E	AMD Geode LX800 @ 500 MHz	TTL	1 Channel	0	0 ~ 60° C
SOM-4455F-LSA2E	AMD Geode LX800 @ 500 MHz	TTL	2 Channel	2	0 ~ 60° C
SOM-4455FL-L0A2E	AMD Geode LX800 @ 500 MHz	LVDS	1 Channel	0	0 ~ 60° C
SOM-4455FL-LSA2E	AMD Geode LX800 @ 500 MHz	LVDS	2 Channel	2	0 ~ 60° C
SOM-4455Z-L0A2E	AMD Geode LX800 @ 500 MHz	TTL	1 Channel	0	-20 ~ 80° C
SOM-4455Z-LSA2E	AMD Geode LX800 @ 500 MHz	TTL	2 Channel	2	-20 ~ 80° C
SOM-4455ZL-L0A2E	AMD Geode LX800 @ 500 MHz	LVDS	1 Channel	0	-20 ~ 80° C
SOM-4455ZL-LSA2E	AMD Geode LX800 @ 500 MHz	LVDS	2 Channel	2	-20 ~ 80° C

Development Board

Part No.	
SOM-DB4400-00A2E	Development Board for SOM-ETX Rev. A2