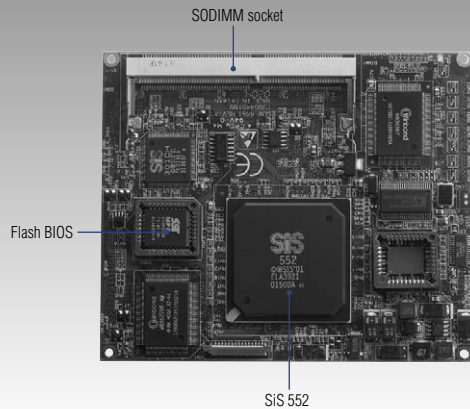


# SOM-4451

SiS SOM-ETX Module w/CPU, VGA,  
LCD/LVDS, Audio & LAN



## System

- **CPU** Embedded low power SiS 552 200 MHz processor
- **System Memory** SDRAM SODIMM x 1, Max. 256 MB (optional 512 MB)
- **System Chipset** SiS 552 (on-chip)
- **BIOS** AWARD 256 KB Flash BIOS
- **Watchdog Timer** 1-62 sec, system reset
- **Expansion Interface** PCI/ISA

## I/O

- **MIO** 1 x EIDE (Ultra DMA66), 1 x FDD/LPT, 1 x K/B, 1 x Mouse, 2 x RS-232
- **IrDA** 115 Kbps, IrDA 1.0 compliant
- **Audio** SiS 552, AC'97 2.0 compliant
- **USB** 2 USB ports, USB 1.1 compliant

## Ethernet

- **Chipset** RTL 8139C
- **Ethernet Interface** IEEE 802.3u 100Base-T Fast Ethernet  
Built-in boot ROM

## Features

- Embedded low power SiS552 processor
- 10/100 Mbps Ethernet
- 18-bit LCD interface
- AC'97 V 2.0 Audio
- MPEG-2 decoder build-in for DVD playback

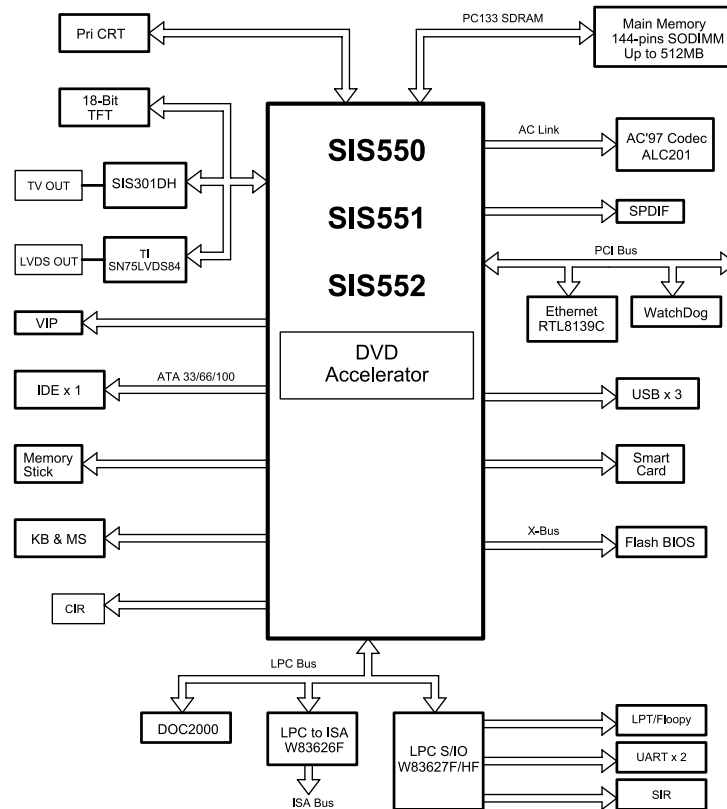
## Display

- **Chipset** SiS 552
- **Memory Size** Supports 32/64 MB frame buffer with system memory
- **Resolution** CRT Mode: 1024 x 768 @ 16 bpp (60 Hz)  
LCD/Simultaneous Mode: 1024 x 768 @ 16 bpp (60 Hz)
- **LCD Interface** Supports 18-bit TFT LCD up to XGA resolution
- **LVDS** 18-bit ANSI EIA/TIA-644, over 10 meters transmission (SOM-4451FL-D0A1)
- **TV-Out (optional)** Supports both NTSC/PAL, S-video & Composite video

## Mechanical and Environmental

- **Dimensions (L x W)** 95 x 114 mm (3.7" x 4.5")
- **Power Supply Voltage** +5 V  $\pm$  5%
- **Power Requirements** Max. : 5 V @ 2.5 A  
Typical : 5 V @ 1.92 A (w/128 MB RAM)
- **Operating Temperature** 0 - 60° C (32-140° F), fanless operation
- **Operating Humidity** 0% - 90% relative humidity, noncondensing

## Board Diagram



## Ordering Information

- **SOM-4451F-D0A1** SiS SOM-ETX Module w/ SiS 552, VGA, LCD, Audio & LAN
- **SOM-4451FL-D0A1** SiS SOM-ETX Module w/ SiS 552, VGA, LVDS, Audio & LAN
- **SOM-DB4400-00A2** SOM-ETX Development board Rev. A2

### Optional

- **SOM-FANKIT-1000** Fan kit for SOM-ETX