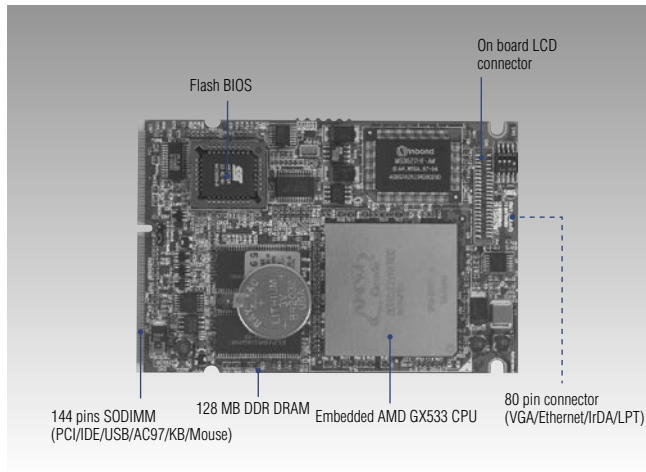


# SOM-2354

AMD Geode™ GX CPU SOM-144  
Module with CPU, VGA/LCD, LAN



## Features

- Embedded AMD Geode™ GX series CPU
- AMD Geode GX integrated graphic chip
- Onboard 128MB DDR Memory
- Supports 18-bit TTL Panel
- Supports two USB / two COMs / Audio / LAN



## Specifications

- **CPU** Onboard AMD Geode GX533-400 MHz processor
  - **System Memory** 128 MB DDR DRAM on board
  - **Chipset** AMD CS 5535
  - **BIOS** Insyde™ 256 KB Flash BIOS
  - **Expansion Interface** 144-pin SODIMM socket provides PCI
  - **Battery** Lithium 3 V/196 mA
- I/O**
- **MIO** 1 x EIDE (Ultra DMA33), 1 x FDD/LPT, 1 x Keyboard, 1 x Mouse, 2 x RS-232
  - **IrDA** 115 kbps, IrDA 1.0 compliant
  - **Audio** AC97 2.0 compliant
  - **USB** 2 x USB ports, USB 1.1 compliant
- Ethernet**
- **Chipset** Intel® 82551ER 10/100Mbps Ethernet Chip
  - **Ethernet Interface** IEEE 802.3u 100Base-T Fast Ethernet

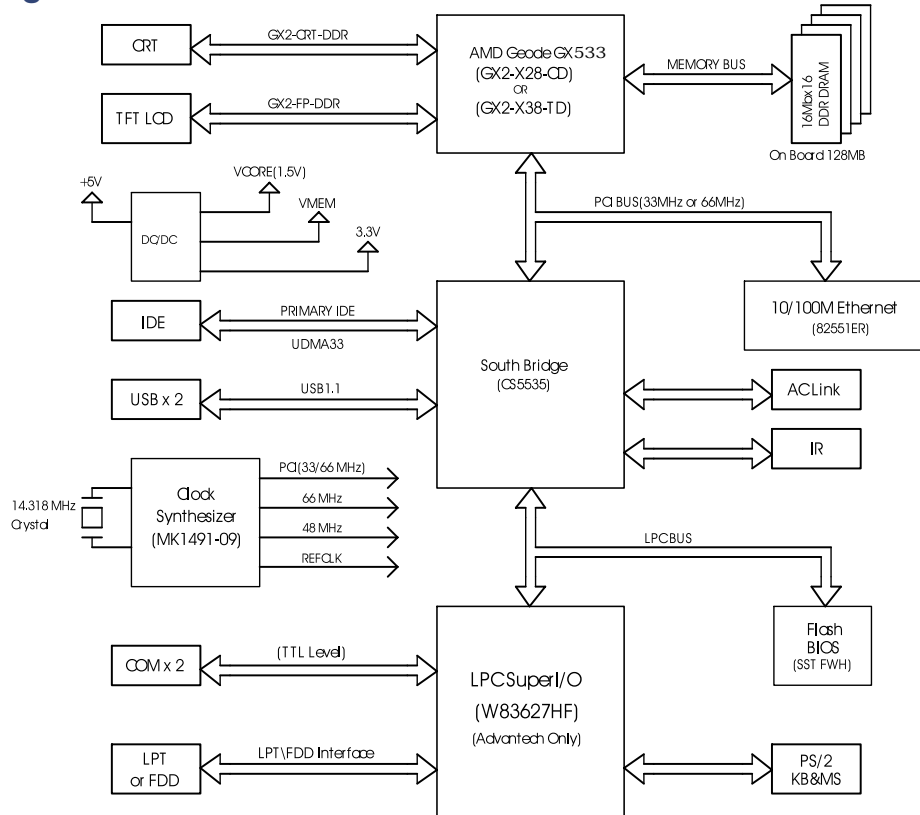
## Display

- **Chipset** AMD Geode GX533
- **Memory Size** 1 ~ 16 MB UMA shared memory
- **Resolution** CRT Mode: 1024 x 768 @ 24 bpp (60 Hz)  
LCD/Simultaneous Mode: 1024 x 768 @ 16 bpp (60 Hz)
- **LCD Interface** 18-bit TFT panels up to XGA resolution  
(for SOM-2354P-JEA1)

## Mechanical and Environmental

- **Dimensions (L x W)** 68 x 100 mm (2.6" x 3.9")
- **Power Supply Voltage** +5V ±5%
- **Power Requirements** Max. : 5 V @ 1.4 A  
Typical : 5 V @ 1 A
- **Operating Temperature** 0 ~ 60° C (32 ~ 140° F), fanless operation
- **Operating Humidity** 0 ~ 90% relative humidity, noncondensing

## Board Diagram



## Ordering Information

### Standard

Part No.	CPU	Display
SOM-2354V-JEA1E	AMD GX533 @ 400 MHz	VGA (RGB)
SOM-2354P-JEA1E	AMD GX533 @ 400 MHz	LCD

### Development Board

Part No.	Description
SOM-DB2300	Development Board for SOM-144