

RS-400-SF-B

4U Rackmount System with Intel® Pentium® 4/Intel® 875P 4GB DDR/ Gigabit Ethernet LAN/HDD/ Two SATA with RAID 0,1 Support

NEW



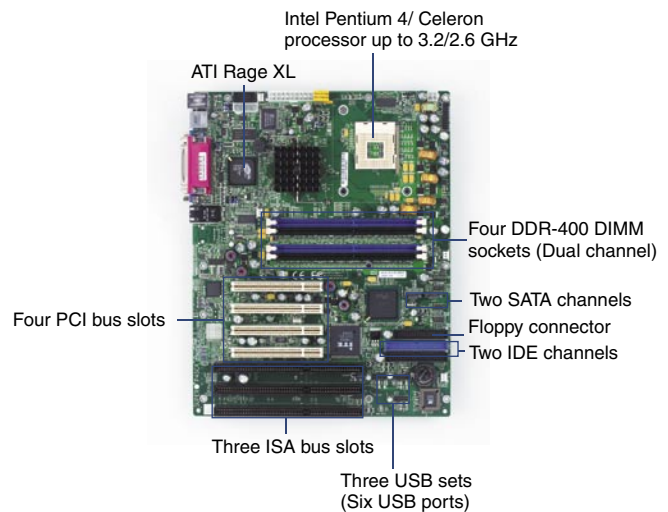
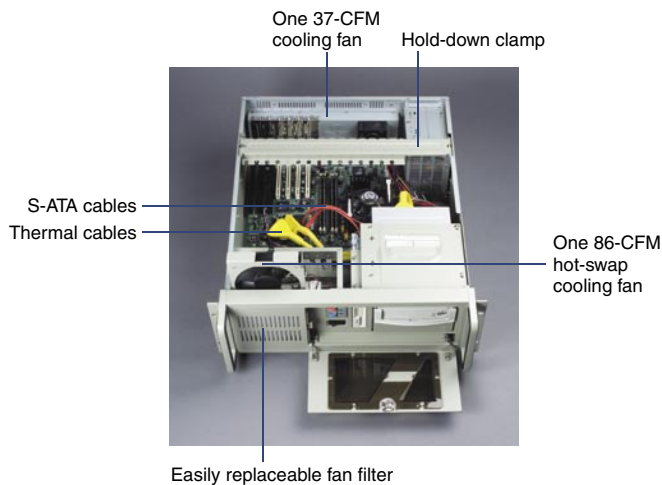
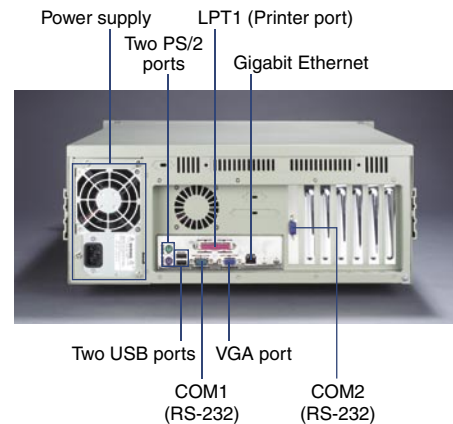
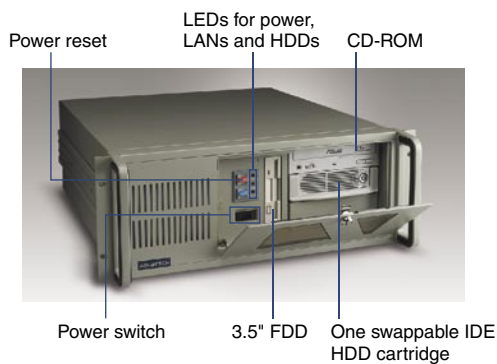
CE UL FCC

Features

- Intel® Pentium® 4 processor up to 3.2 GHz
- Intel® 875P chipset supports 400/533/800 MHz FSB up to 4 GB DDR-266/333/400 memory in 4 DIMMs
- Gigabit (10/100/1000Base-T) LAN ports
- 4 PCI slots and 3 ISA slots
- ICH5-R SATA controller for 2 SATA drives with RAID 0,1 support

Introduction

The RS-400-SF-B consists of a 4U rackmount system that provides a flexible solution for ISPs, telecommunication, CT, VOD and Industrial Automation. It includes Intel 875P chipset to provide and ensure high performance. Designed to meet stringent data storage requirements, the RS-400-SF-B series has three IDE HDD drive spaces. The RS-400-SF-B has complete I/O functions, including Intel 82541 Gigabit Ethernet controllers with support for 10Base-T, 100Base-T and 1000-Base-T through RJ-45 connectors. The motherboard supports Pentium 4 and ISA bus. The RS-400-SF-B provides 4 PCI slots and 3 ISA slots.



Specifications

Processor System	CPU *	Intel Pentium 4	Celeron/Micro PGA 478 package
	Max. Speed	3.2 GHz	2.6 GHz
	L2 Cache	512 KB	128 KB
	Chipset	Intel 875P	
	BIOS	Award 4 Mb Flash	
Bus	Front Side Bus	400/533/800 MHz	
	PCI	4	
	ISA	3	
Memory	Technology	DDR-266/333/400	
	Max. Capacity	4 GB	
	Socket	184-pin DIMM x 4	
Graphic	Controller	ATI Rage XL PCI	
	VRAM	8 MB	
Ethernet	Interface	10/100/1000Base-T	
	Controller	Intel 82541	
	Connector	RJ-45	
Drive Bay	3.5" HDD	2 IDE (internal)	Serial ATA
	3.5" FDD	1	
	CD-ROM	1	
EIDE	Mode	ATA 100/66/33	
	Channel	2	
Serial ATA	Controller	Intel ICH5-R	
	Max. Data Transfer Rate	150 MB/sec.	
	Channel	2	
I/O Interface	USB	2 (USB 2.0), up to 8 USB ports	
	Serial	2 (RS-232)	
	PS/2	2 (mouse x 1, keyboard x 1)	
	CRT	1	
Cooling	Fan	2 (86 CFM & 37 CFM)	
Operating System	Compatibility	Windows NT4.0/2000/XP, Red Hat Linux 7.x/8.0/9.0, FreeBSD 4.x	
Management	Indicator	LED for power, LANs and HDDs	
Miscellaneous	Control	Momentary power switch	
Power Supply	Watt	300 W	400 W ATX
	Input	AC 90 ~ 264 V @ 47 ~ 63 Hz, full range	
Environment		Operating	Non-Operating
	Temperature	0 ~ 40 °C (32 ~ 104 °F)	-20 ~ 75 °C (-4 ~ 167 °F)
	Humidity	5 ~ 85 % @ 40 °C (104 °F)	5 ~ 95 %
Physical	Dimensions (W x H x D)	482 x 177 x 502 mm (19" x 7" x 19.76")	
	Weight	20.5Kg (45.1 lb)	

*Note: All CPUs must be 0.13-micron or 90-nano technology

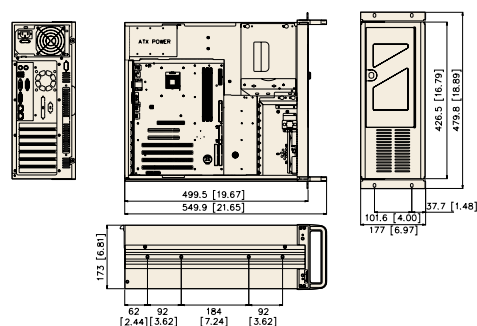
Ordering Information

Part Number	Expansion	HDD	Power Supply	CD-ROM/FDD
RS-400-SF-B	4 PCI slots, 3 ISA slots	3 IDE HDD spaces	300 W	1/1
RS-400-SF-B4	4 PCI slots, 3 ISA slots	3 IDE HDD spaces	400 W	1/1

Accessory Options

Part Number	Descriptions
9680000081	SATA to SATA removable HDD rack
9689000625	IDE to IDE removable HDD rack
1757230008	Power supply 300W ATX w/PFC
1757940029	Power supply 400W ATX w/PFC

Dimension Diagram



Unit: mm (inch)