

PPC-L61T

6.5" Fanless Panel PC with AMD Geode™ LX800 Processor



Features

- 6.5" TFT VGA LCD (LED Backlight)
- AMD Geode LX800 CPU on board
- System memory up to 1 GB DDR SDRAM
- One CompactFlash® Type I/II socket (True IDE Mode)
- Microsoft® Windows® CE 6.0 and XP Embedded available
- Fanless and ultra-low power consumption
- Adjust RS-232/422/485 through BIOS
- Aluminum Front Bezel
- Automatic data flow control over RS-485

Introduction

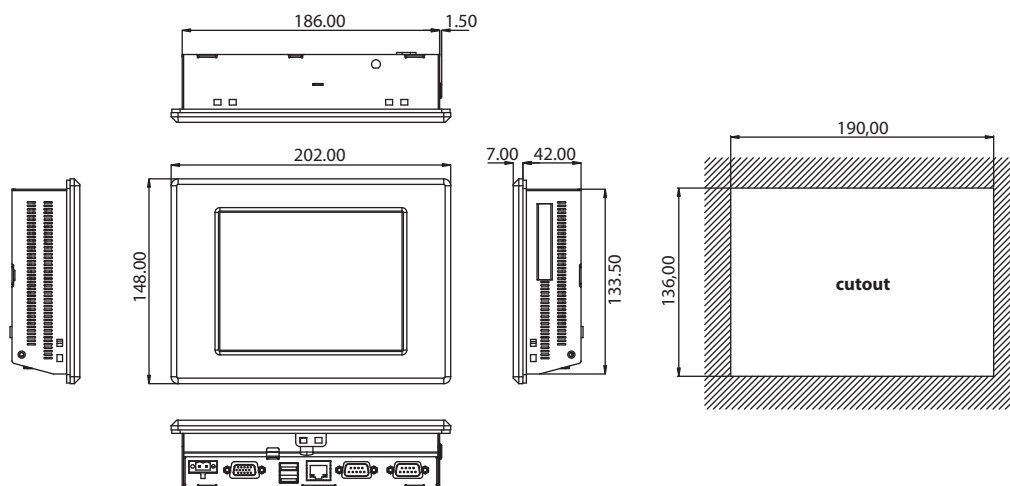
PPC-L61T is a 6.5" industrial-grade Panel PC (PPC) for small interface requirements such as Human Machine Interfaces (HMI) or Multifunctional Products (MFP). PPC-L61T is highly reliable because it incorporates a low power CPU that does not need a cooling fan. The robust aluminum makes this interface suitable for long-term solutions, and especially suitable for environments such as chemical and food processing plants. PPC-L61T comes with an embedded OS for faster application development, so driver development and customization of images do not slow down project implementation.

Specifications

Processor System	CPU	Onboard AMD Geode LX800 (500 MHz)
	Memory	1x 200-pin SODIMM socket that accepts a 256/512/1024 MB
	2nd Cache Memory	128 KB on-die
	Chipset	AMD Geode CS5536
	BIOS	4 Mbit Flash BIOS
	SSD	One type I/II CompactFlash socket PPC-L61T-CE-RTE comes with one 256 MB built-in CompactFlash card
	HDD	1 x 2.5" external SATA HDD module (Optional)
	I/O Ports	- 2 x Serial ports: RS-232 x 1, RS-232/422/485 x 1 - 4 X USB ports (2 x external, 2 x internal) - 1 x VGA port - 1 x 1.3 W speakers (Optional)
	Bus Expansion	1x MINI PCI expansion slot
	Network (LAN)	10/100 Mbps Ethernet
	Watchdog Timer	255 timer levels; setup by software
	Dimensions (W x H x D)	202 x 148 x 49 (7.9" x 5.82" x 1.92")
	Weight	1.2 kg (2.64 lb)
	OS Support	Microsoft Windows XPe, CE, XP
Power Supply	Input Voltage 12 V _{DC} ~ 30 V _{DC} , 2.5 A max	
LCD Display	Display Type	6.5" TFT LCD (LED Backlight)
	Max. Resolution	640 x 480
	Colors	262 K
	Dot Size (mm)	0.207 X 0.207
	Viewing Angle	80 (left), 80 (right), 70 (up), 70 (down)
	Luminance	700
	Brightness Control	Yes (by BIOS)
Touchscreen	Operating Temperature	-30 ~ 85° C (-22 ~ 185°F)
	Backlight Lifetime	50,000 hrs
	Type	Analog Resistive 4 wires
	Resolution	Continuous
	Light Transmission	80%
	Controller	RS232 interface
Software Driver	Supports Windows XP, CE	
Durability (Touches)	10 million	

Dimensions

Unit: mm



Specifications

Environmental Specifications	Operating Temperature	0 ~ 50° C (32 ~ 122° F)
	Storage Temperature	-20 ~ 60° C (-4 ~ 140° F)
	Relative Humidity	10 ~ 95% @ 40° C (non-condensing)
	Shock (Operating)	10 G peak acceleration (11 ms duration)
	Vibration	1 G
	EMC	BSMI, CE, FCC Class B, VCCI
	Safety	CB, CCC, BSMI, UL
Front Panel Protection	IP65 compliant	

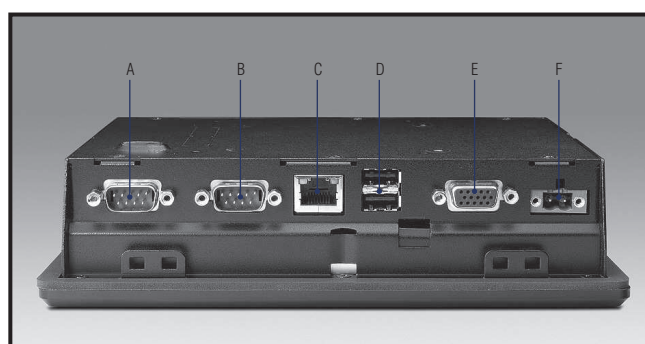
Ordering Information

Part No.	Description
PPC-L61T-071-XE	AMD LX800 500 MHz processor-based fanless Panel PC with 6.5 inch TFT LCD (LED Backlight)
PPC-L61T-R71-XE	PPC-L61T-070-XE with resistive touchscreen (LED Backlight)
PPC-L61T-CE1-RTE	PPC-L61T-071-XE with Windows CE.Net (English) on 256 MB CompactFlash (LED Backlight)

Accessories

Part No.	Description
PS-DC19-L157E	19 V _{DC} power adapter module for PPC-L128/ PPC-L157T
PPC-174 WL-MT	Wall mount kit for PPC-174T
989KL61T00E	HDD kit for PPC-L61T (SATA Interface)
989KL12709E	Wireless LAN Module for PPC-L127T
1702002600	Power Cord 3P UL/CSA(USA) 125V 10A 1.83M 180D
1702002605	Power cord 2P FRANCE 10A/16A 220V 1.83M 90D

Fully-Integrated I/O



- A. Serial Ports (RS-232/422/485)
- B. Serial Ports (RS-232)
- C. Ethernet Jack
- D. USB 2.0 X 2
- E. VGA port
- F. DC inlet

PPC-L61T

6.5" Fanless Panel PC with AMD Geode™ LX800 Processor



Features

- 6.5" TFT VGA LCD
- AMD Geode LX800 CPU on board
- System memory up to 1 G DDR SDRAM
- One CompactFlash® Type I/II socket (True IDE Mode)
- Microsoft® Windows® CE 6.0 and XP Embedded are available
- 10/100Base-T Ethernet
- Fanless and ultra-low power consumption
- Adjust RS232/422/485 through BIOS
- Aluminum Front cover



Introduction

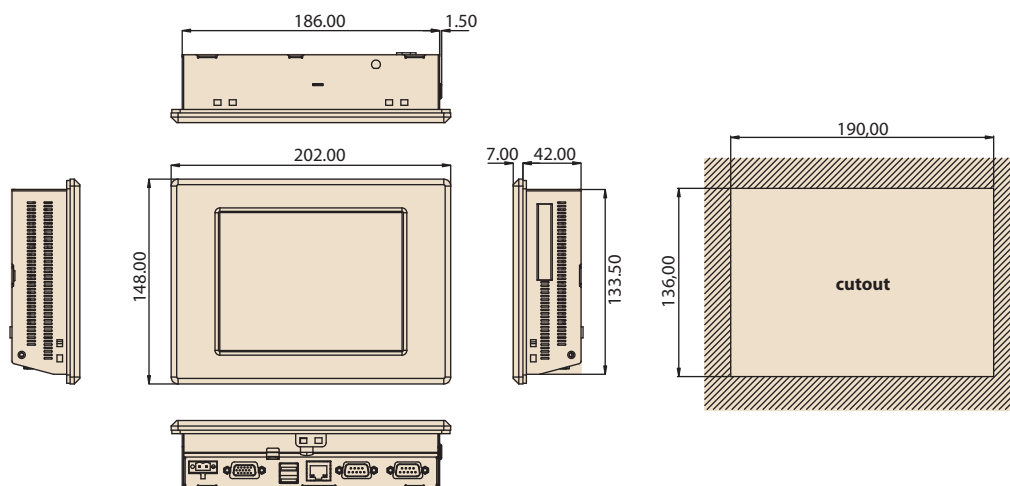
PPC-L61T is a 6.5" industrial-grade Panel PC (PPC) for small interface requirements such as Human Machine Interfaces (HMI) or Multifunctional Products (MFP). PPC-L61T is highly reliable because it incorporates a low power CPU that does not need a cooling fan. The robust aluminum makes this interface suitable for long-term solutions, and especially suitable for environments such as chemical and food processing plants. PPC-L61T comes with an embedded OS for faster application development, so driver development and customization of images do not slow down project implementation.

Specifications

Processor System	CPU	Onboard AMD Geode LX800 (500 MHz)
	Memory	1x 200-pin SODIMM socket that accepts a 256/512/1024 MB DDR 333/400
	2nd Cache Memory	128 KB on-die
	Chipset	AMD Geode CS5536
	BIOS	4 Mbit Flash BIOS
	SSD	One type I/II CompactFlash socket
	HDD	PPC-L61T-CE-RTE comes with one 256 MB built-in CompactFlash card 1 x 2.5" external SATA HDD module (Optional)
	I/O Ports	- 2 x Serial ports: RS232 x 1, RS232/422/485 x 1 - 4 X USB ports (2 x external, 2 x internal) - 1 x VGA port - 1 x 1.3 W speakers (Optional)
	Bus Expansion	1x MINI PCI expansion slot
	Network (LAN)	10/100Base-T Ethernet
	Watchdog Timer	255 timer levels; setup by software
	Dimensions (W x H x D)	202 x 148 x 49 (7.9" x 5.82" x 1.92")
	Weight	1.2 kg (2.64 lb)
OS Support	Microsoft	Windows XPE, CE, XP
Power Supply	Input Voltage	12 V _{DC} ~ 30 V _{DC} , 2.5 A max
LCD Display	Display Type	6.5" TFT LCD
	Max. Resolution	640 x 480
	Colors	262 K
	Dot Size (mm)	0.207 X 0.207
	Viewing Angle	70 (left), 70 (right), 60 (up), 60 (down)
	Luminance	400 cd/m ²
	Operating Temperature	-10 ~ 70° C (14 ~ 158° F)
Backlight Lifetime	50,000 hrs	
Touchscreen	Type	Analog Resistive 4 wires
	Resolution	Continuous
	Light Transmission	80%
	Controller	USB interface
	Software Driver	Supports Windows XP, CE
	Durability (Touches)	10 million

Dimensions

Unit: mm (inches)



Specifications

Environmental Specifications	Operating Temperature	0 ~ 50° C (32 ~ 122° F)
	Storage Temperature	-20 ~ 60° C (-4 ~ 140° F)
	Relative Humidity	10 ~ 95% @ 40° C (non-condensing)
	Shock (Operating)	10 G peak acceleration (11 ms duration)
	Vibration	1 G
	EMC	BSMI, CE, FCC Class B, VCCI
	Safety	CB, CCC, BSMI, UL
	Front Panel Protection	IP 65 / NEMA compliant

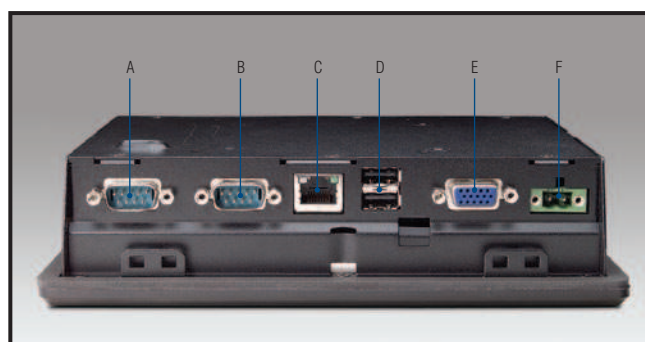
Ordering Information

Part No.	Description
PPC-L61T-070-XE	AMD LX800 (500 MHz) Process based Fanless Panel PC with 6.5 inch TFT LCD
PPC-L61T-R70-XE	PPC-L61T-070-XE with Resistive touchscreen
PPC-L61T-CE-RTE	PPC-L61T with Windows CE.Net (English) on 256 MB CompactFlash

Accessories

Part No.	Description
PS-DC19-L60	19 V _{DC} power adapter module for PPC-L60T/ PPC-L61T
PPC-174 WL-MT	Wall mount kit for PPC-174T
989KL61T00E	HDD kit for PPC-L61T (SATA Interface)
989KL12709E	Wireless LAN Module for PPC-L127T
1700001524	POWER CABLE 3P/3P POWER SUPPLY 1.8M FPM-306

Fully-Integrated I/O



- A. Serial Port (RS232/422/485)
- B. Serial Port (RS232)
- C. Ethernet Jack
- D. USB 2.0 X 2
- E. VGA port
- F. DC inlet