

PPC-L157 Series Desktop Stand Setup Guide

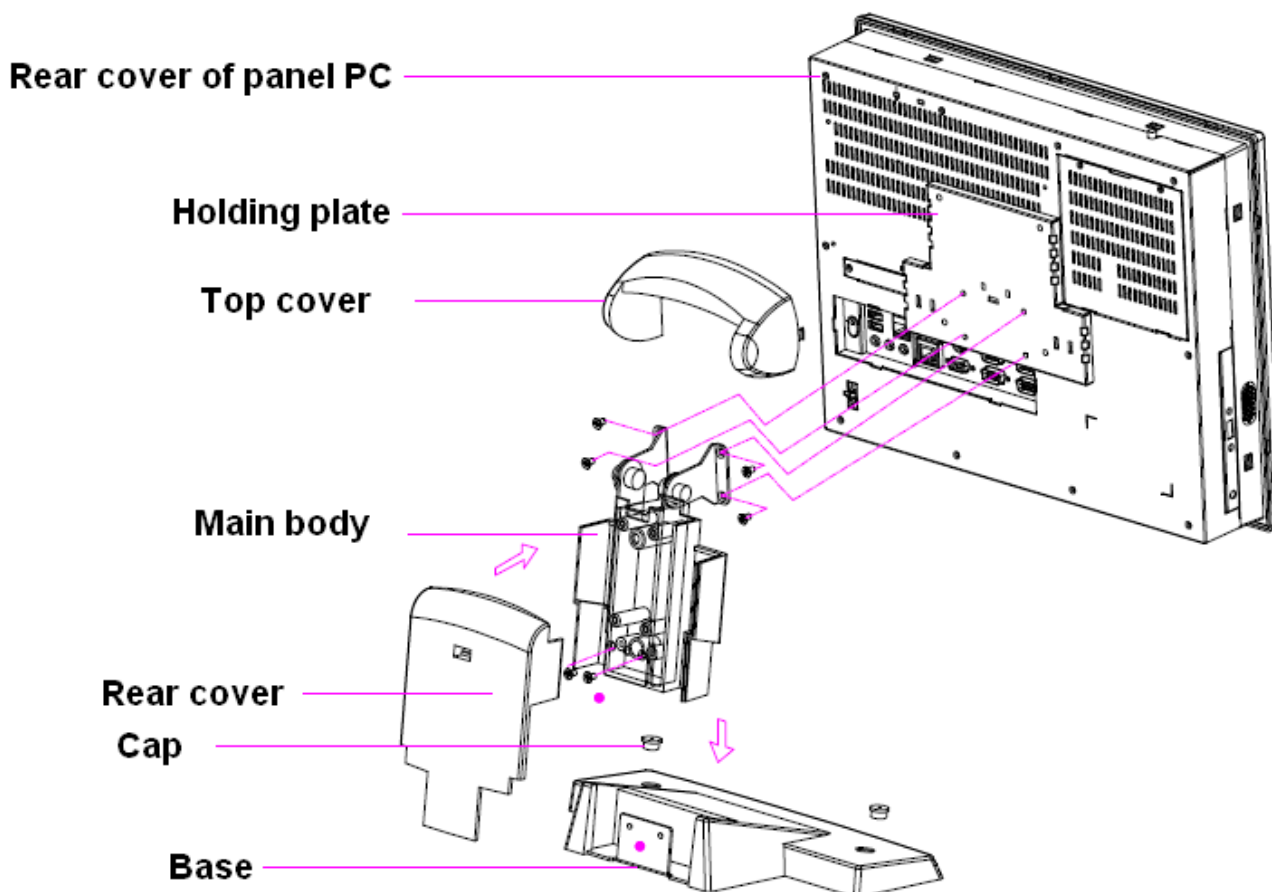
The PPC-L157 series of products customized stand is suitable for desktops and other horizontal locations. A unique spring inside the stand enables the panel PC's vertical tilt to be adjusted about 30 degrees.

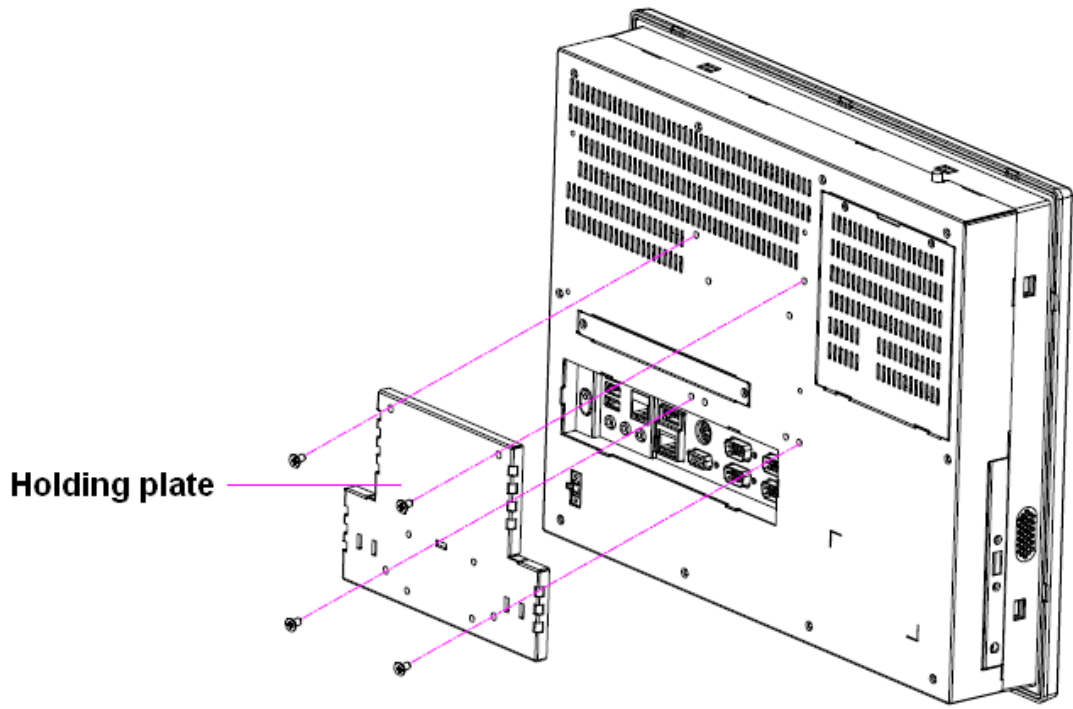
Your desktop stand package should contain one of each of the following:

- main body
- holding plate
- base
- top cover
- rear cover
- packet of screws

Follow these procedures to set up the stand:

1. Attach the holding plate to the rear cover of the panel PC, using the four M4 x 12L round-head screws provided. (Refer to the illustration below.)
2. Attach the arms of the main body of the stand to the rear cover of the panel PC, using the four M4 x 8L flat-head screws provided.
3. Slide the main body of the stand into the stand base. The bottom plates of the main body should slide perfectly over the back plate of the base. Fasten the main body to the base with the two M4 x 8L flat-head screws provided.
4. Attach the rear cover of the stand to the main body of the stand by snapping the lugs of the rear cover into the slots of the main body. When the rear cover locks into place, you will hear a click.
5. Attach the top cover by snapping the lugs of the top cover into the slots of the holding plate. The cover must be rotated as it is snapped into place. When the top cover locks into place, you will hear a click.





Holding plate