

PPC-L106T

10.4" Fanless Panel PC with AMD Geode™ LX 800 (500 MHz) Processor



Features

- 10.4" TFT LCD
- AMD Geode™ LX 800 (500 MHz) CPU on board
- System memory up to 1 GB SDRAM (256 MB default built-in)
- One Compact Flash® Type I/II socket (True IDE Mode)
- 10/100Base-T Ethernet or Dual LAN (Optional)
- Fanless and ultra-low power consumption
- Brightness control from 0 ~ 100%
- Optional PCI/ISA expansion kit
- Same housing as PPC-105T
- Automatic data flow control over RS-485

Introduction

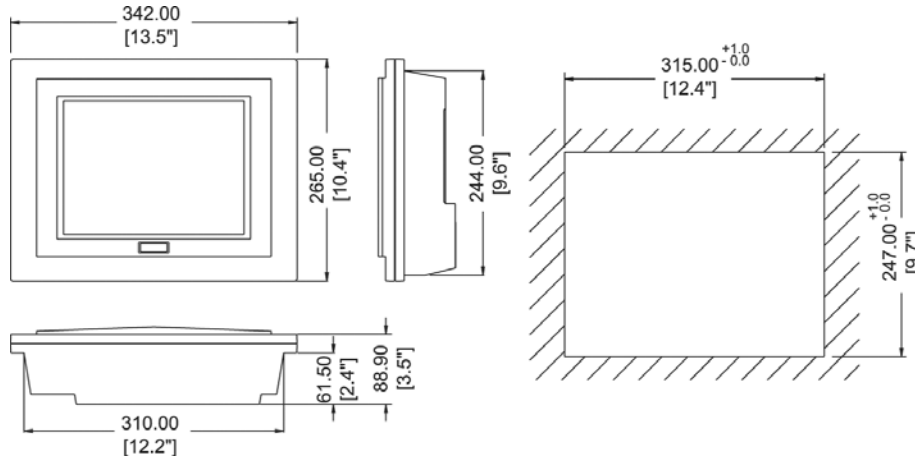
PPC-L106T fanless Panel PC supports the low power AMD Geode LX 800 (500 MHz) processor. It is a powerful and compact Panel PC, ideally suited for operator interface (HMI) applications. Its 10.4" 800 x 600 display, 1 GB SDRAM capacity and auto-sensing 10/100Base-T Ethernet controller make it the ideal choice for many applications. It is great, for example, for thin clients, health care and other networked environments, and of course traditional process control in industrial automation.

Specifications

Processor System	CPU	Onboard AMD Geode LX 800 (500 MHz)
	Memory	1 x 200-pin SODIMM socket that accepts a 256/512/1204 MB DDR 266/333 Standard is built-in 256 MB
	Chipset	AMD Geode CX5536
	BIOS	4 Mbit Flash BIOS
	SSD	1 x Type II Compact Flash, build in 64MB in PPC-L106T-CE-RTE
	HDD	1 x internal IDE interface, 2.5" drive
	Watchdog Timer	255 timer levels; setup by software
	Bus Expansion	1 x optional PCI/ISA expansion kit 1 x Mini PCI socket
	Dimensions (W x H x D)	342 x 265 x 92.4 mm (13.5" x 10.4" x 3.64")
	Weight	3.2 kg (7.1 lbs)
OS Support	Microsoft	Windows XPE, CE, XP
Complete I/O Ports	Serial Ports	3 x RS-232, 1 x RS-232/422/485 (COM 2)
	Parallel Port	1 x SPP/EPP/ECP port
	Keyboard/Mouse Port	PS/2 interface
	VGA	Supports simultaneous CRT displays
	Sound	Mic-in/Line-out
	Ethernet	10/100 Mbps, Dual LAN (Optional)
	USB ports	2 external USB 2.0, 2 internal USB 2.0
LCD Display	LCD Type	10.4" color TFT LCD
	Resolution/Colors	800 x 600 @ 262 K
	Pixel Pitch (mm)	0.264 x 0.264
	Luminance (cd/m ²)	230
	Viewing Angle	60° (left), 60° (right), 35° (up), 60° (down)
	VR Adjustment	Yes
	Simultaneous Mode	Yes
	Backlight MTBF	20,000 hrs (min.)
Power Supply	Output Rating	65 W
	Input Voltage	100 ~ 240 V _{AC} @ 50/60 Hz, autoranging
	Output Voltage	+5 V @ 3.5 A, +12 V @ 4 A
Touchscreen (optional)	Type	Analog resistive, continuous resolution
	Light Transmission	80%
	Controller	RS-232 interface (COM 4) Optional USB interface
	Software Driver	Supports Windows XP, CE
	Durability (Touches)	35 million

Dimensions

Unit: mm (inches)



Specifications

Environmental Specifications	Operating Temperature	0 ~ 45° C (32 ~ 113° F)
	Relative Humidity	10 ~ 95% @ 40° C (non-condensing)
	Shock (Operating)	10 G peak acceleration (11 ms. duration)
	EMC	CE, FCC Class B, BSMI
	Safety	UL, CE, 3C, BSMI
	Front Panel Protection	IP 65/NEMA 4 compliant
	Vibration	1 G

Ordering Information

Part No.	Description
PPC-L106T-070-XE	AMD Geode LX 800 (500 MHz) Process based Fanless Panel PC with 10.4 TFT LCD (Build in 256 MB DRAM)
PPC-L106T-R70-XE	PPC-L106T-070-XE with resistive touch screen
PPC-L106T-CE-RTE	PPC-L106T with Windows CE.NET(English) on 64 MB Compact Flash
PPC-105 Rack MT	19" Rack Mounting kit for PPC-103/105/L106T
PPC-ARM-A03	VESA Standard ARM for PPC series
PPC-174 WL-MT	Wall mount kit for PPC-174T
PPC-EXP-L106	PCI/ISA expansion kit for PPC-L106T
1702002600	POWER Cable UL/CSA(USA) 180D 125V10A 1.83M
989KL12709E	Wireless LAN module for PPC-L127, PPC-L106

Feature Details

Various applications for the PPC-L106T

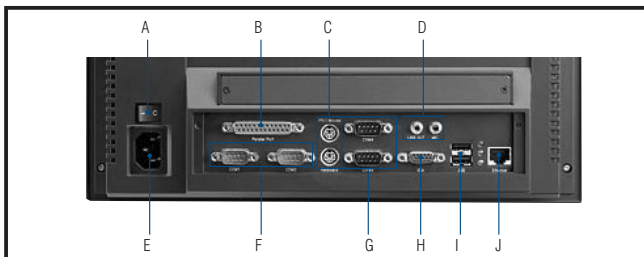
PPC-L106T's back panel I/O and integrated all-in-one single board computer make it the ideal choice to control a dedicated system in a wide variety of applications. Applications include:

- Control or data entry operator interfaces
- Information management and retrieval terminals
- Entertainment management systems
- Point of sale (POS) terminals
- Banking/office automation

Slim and compact PC terminal with LCD

The PPC-L106T is the most versatile 10.4" LCD PC available. The slim chassis fits anywhere and can be mounted in several different configurations. It can be panel mounted, wall mounted or placed upright on a desktop. Integrating the PPC-L106T into a custom system is made simple through its open-system design and comprehensive back panel I/O interface.

Fully-Integrated I/O



- | | |
|--------------------------|-------------------|
| A. Power switch | F. COM ports |
| B. Parallel port | G. COM ports |
| C. PS/2 mouse & keyboard | H. VGA port |
| D. Mic-in/Line-out | I. USB ports V2.0 |
| E. AC inlet | J. Ethernet |