

# PPC-175T

## 17" Panel PC with Intel® Pentium®/ Celeron® M Processor



### Features

- 17" TFT SXGA LCD
- Intel® Pentium®/Celeron® M up to 1.8 GB/1.5 GB
- System memory up to 2 GB DDR RAM
- Built-in CF card interface (IDE interface for OS booting)
- One PCI expansion slot
- Two 10/100Base-T Ethernet ports
- Two IEEE 1394 ports
- Resistive, capacitive, SAW, infrared type, and projected capacitive touch screens are available
- LED Indicator for Power, LAN and Hard Disk
- Light sensor supports automatic backlight control



### Introduction

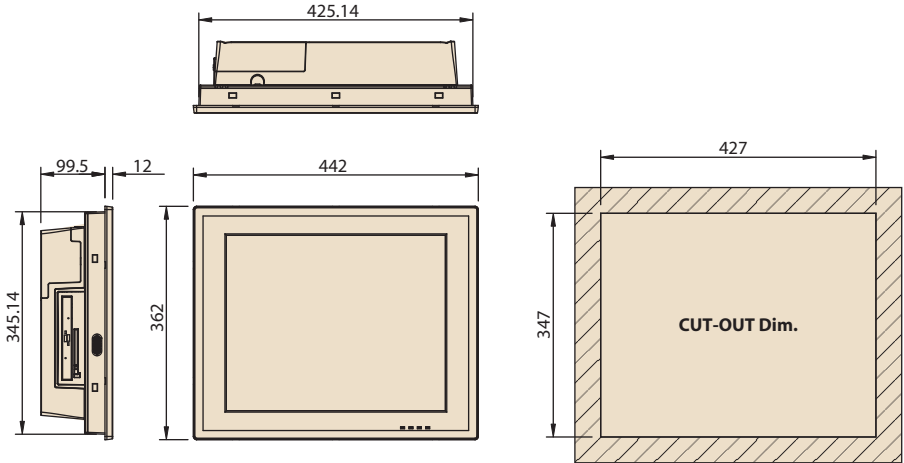
The PPC-175T is an Intel Pentium/Celeron M based Panel PC with 17" color TFT LCD (resolution up to 1280 x 1024). It features multimedia devices, various connectors, and can be installed in virtually any application. In addition, its user-friendly interface makes it a great host for information appliances. Three serial ports and two 10/100Base-T Ethernet ports (Second LAN port or Gigabit LAN are optional) give the PPC-175T advanced networking capabilities, and provide a great solution for versatile applications.

### Specifications

|                              |   |   |                  |                       |                  |  |
|------------------------------|---|---|------------------|-----------------------|------------------|--|
| Processor System             | CPU                                       | Supports Socket 478 based Pentium /Celeron M up to 1.8G/1.5G                |                  |                       |                  |  |
|                              | Disk Drive Housing                        | Room for 1 x 2.5" HDD   |                  |                       |                  |  |
|                              | Dimensions (W x H x D)                    | 442 x 362 x 111.5 mm (17.4" x 14.25" x 4.39")                               |                  |                       |                  |  |
|                              | Front Panel Protection                    | IP65/NEMA 4 compliant (not for SAW model)                                   |                  |                       |                  |  |
|                              | HDD                                       | IDE HDD interface (2.5" HDD bay)  |                  |                       |                  |  |
|                              | CD-ROM Drive                              | Optional 24X or above   |                  |                       |                  |  |
|                              | DVD+/-RW Drive                            | Optional 8X or above  |                  |                       |                  |  |
|                              | Combo Drive                               | Optional DVD/CD-RW 8D/24W/24E/24R or above                                  |                  |                       |                  |  |
|                              | Memory                                    | Supports up to 2 GB DDR SDRAM (184-pin)                                     |                  |                       |                  |  |
|                              | FDD                                       | Optional  |                  |                       |                  |  |
| I/O Ports                    | Network (LAN)                             | 2 x ports 10/100Base-T Ethernet interface (Dual Gigabit LAN optional)       |                  |                       |                  |  |
|                              | I/O Ports                                 | - 3 x COM ports: 2 x RS-232, 1 x RS-232/422/485                             |                  |                       |                  | - 1 x PS/2 mouse and keyboard interface              |
|                              |   | - 4 x USB 2.0 ports<br>- 1 x PCMCIA Type II                                 |                  |                       |                  | - Mic-in, Line-in, Line-out<br>- 2 x IEEE 1394 ports |
| Bus Expansion                | 1 x PCI expansion slot, 1 x Mini PCI card |   |                  |                       |                  |  |
| Environmental Specifications | Operating Temperature                     | 0 ~ 45° C (32 ~ 113° F)   |                  |                       |                  |  |
|                              | Relative Humidity                         | 5% ~ 85% non-condensing   |                  |                       |                  |  |
|                              | Shock                                     | 10 G peak acceleration (11 msec. duration)                                  |                  |                       |                  |  |
|                              | EMC                                       | BSMI, VCCI, CE, FCC Class B, CCC  |                  |                       |                  |  |
|                              | Safety                                    | CB, CE, UL  |                  |                       |                  |  |
| Power Supply                 | Output Rating                             | 100 W (max.)  |                  |                       |                  |  |
|                              | Input Voltage                             | 100 ~ 250 V <sub>AC</sub> @ 50 ~ 60 Hz                                      |                  |                       |                  |  |
|                              | Output Voltage                            | +3.3 V @ 8.0 A, +5 V @ 12.0 A, +12 V @ 4.0 A, -12 V @ 0.2 A, +5 Vsb @ 2.0 A |                  |                       |                  |  |
| LCD Display                  | Display Type                              | Color TFT LCD   |                  |                       |                  |  |
|                              | Size (Diagonal)                           | 17"   |                  |                       |                  |  |
|                              | Max. Resolution                           | 1280 x 1024   |                  |                       |                  |  |
|                              | Max. Colors or Grayscale                  | 16.7M   |                  |                       |                  |  |
|                              | Pixel Pitch (mm)                          | 0.264 x 0.264   |                  |                       |                  |  |
|                              | Luminance (cd/m <sup>2</sup> )            | 300   |                  |                       |                  |  |
|                              | Contrast Ratio                            | 800 : 1   |                  |                       |                  |  |
|                              | Viewing Angle                             | 80° (left), 80° (right), 80° (up), 80° (down)                               |                  |                       |                  |  |
|                              | Operating Temperature                     | 0 ~ 50° C   |                  |                       |                  |  |
|                              | VR Controls                               | Brightness  |                  |                       |                  |  |
| Touchscreen (Optional)       | Simultaneous Mode                         | Yes   |                  |                       |                  |  |
|                              | LCD MTBF                                  | 50,000 hrs  |                  |                       |                  |  |
|                              | Types                                     | Analog Resistive  | Capacitive       | Surface Acoustic Wave | Infrared         | Projected Capacitive                                 |
|                              | Resolution                                | Continuous  | 1024 x 1024      | 4096 x 4096           | 4096 x 4096      | 1024 x 768   |
|                              | Light Transmission                        | 80%   | 91.5%            | 91%                   | 91%              | 91%  |
|                              | Controller                                | RS-232 Interface  | RS-232 Interface | RS-232 Interface      | RS-232 Interface | RS-232 Interface                                     |
|                              | Power Consumption                         | +5 V @ 200 mA   | +5 V @ 100 mA    | +5 V @ 150 mA         | +5 V @ 150 mA    | +5 V @ 100 mA  |
| Software Driver              | Supports both DOS and Windows             |   |                  |                       |                  |  |
| Durability (Touches)         | 35 million                                | 225 million   | 50 million       | 100,000 hrs           | Unlimited        |  |

**Dimensions**

Unit: mm (inches)



**Ordering Information**

| Part No.         | Description  |
|------------------|--|
| PPC-175T-BAREE   | Panel PC with 17" color TFT LCD display (resolution 1280 x 1024) |
| PPC-175T-BARE-TE | PPC-175T Bare BOM with resistive touchscreen                     |
| PPC-175T-BARE-CE | PPC-175T Bare BOM with capacitive touchscreen                    |
| PPC-175T-BARE-SE | PPC-175T Bare BOM with SAW touchscreen                           |
| PPC-175T-BARE-VE | PPC-175T Bare BOM with infrared touchscreen                      |
| PPC-175T-BARE-PE | PPC-175T Bare BOM with projected capacitive touchscreen          |
| PPC-155T STAND   | Stand kit for PPC-154/155/174/175T Series                        |
| PPC-174 WL-MT    | Wall mount kit for PPC-154/155/175T Series                       |
| PPC-ARM-A03      | VESA Standard ARM for PPC series                                 |
| 1702002600       | POWER Cable UL/CSA(USA) 180D 125V10A 1.83M                       |
| 989KP15500E      | CD-ROM Module of PPC-155/175                                     |
| 989KP15501E      | Combo Module of PPC-155/175                                      |
| 989KP15502E      | DVD-RW Module of PPC-155/175                                     |
| 989KP15503E      | Mini-PCI [VIA] 802.11b/g Wireless Module for PPC-155/175         |
| 989KP15504E      | Mini-PCI [Realtek] 802.11b/g Wireless Module for PPC-155/175     |

**Feature Details**

**Protection**

To meet the requirements of a public environment, the front panel PPC-175T complies with the IP65/NEMA 4 protection standard. Furthermore, the watchdog timer and power management features make the system secure and stable. The onboard hardware monitoring feature provides an automatic protection function, which prevents the CPU from becoming overheated.

**Expansion**

To extend functionality, the PPC-175T is designed with one expansion slot for PCI cards, four USB 2.0 (Universal Serial Bus) ports, and one PCMCIA card bus (Type II x 1). With these expansion capabilities, the PPC-175T not only functions as an HMI, but also as a computing center on which to build your applications.

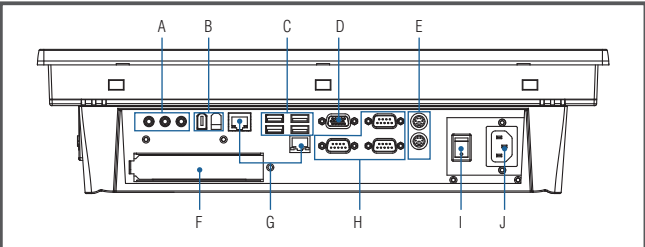
**Easy Maintenance**

Maintaining and replacing the LCD and touchscreen are made easier through the PPC-175T modular design. In order to replace a defective LCD or touchscreen, one merely needs to remove the front cover and LCD bracket instead of disassembling the whole system.

**Touchscreen Options**

Customers can choose from five optional types of standardized touchscreens: resistive, capacitive, infrared, SAW (Surface Acoustic Wave), and projected capacitive. Flexible options for the PPC-175T offer a more user-friendly interface for diverse environments.

**Fully Integrated I/O**



- A. Line-in / Line-out / Mic-in
- B. IEEE 1394 x 2
- C. USB 2.0 x 4
- D. VGA port
- E. PS/2 mouse & keyboard
- F. PCI slot x 1
- G. 10/100 Base-T Ethernet x 2 (Gigabit LAN optional)
- H. RS-232 x 2, RS-232/422/485 x 1
- I. Power switch
- J. AC Inlet