

# POC-S196

## 19" Slim Point-of-Care Terminal with Intel® Core™ Duo Processor

**NEW**

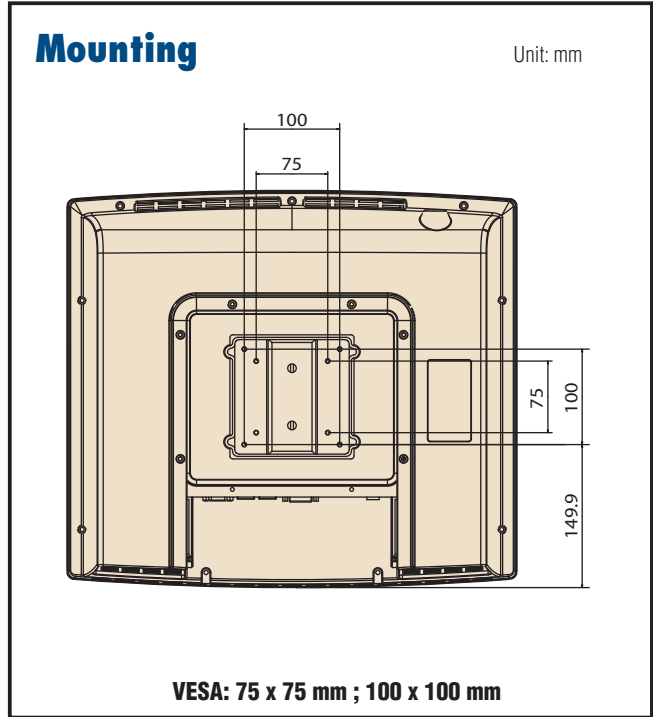
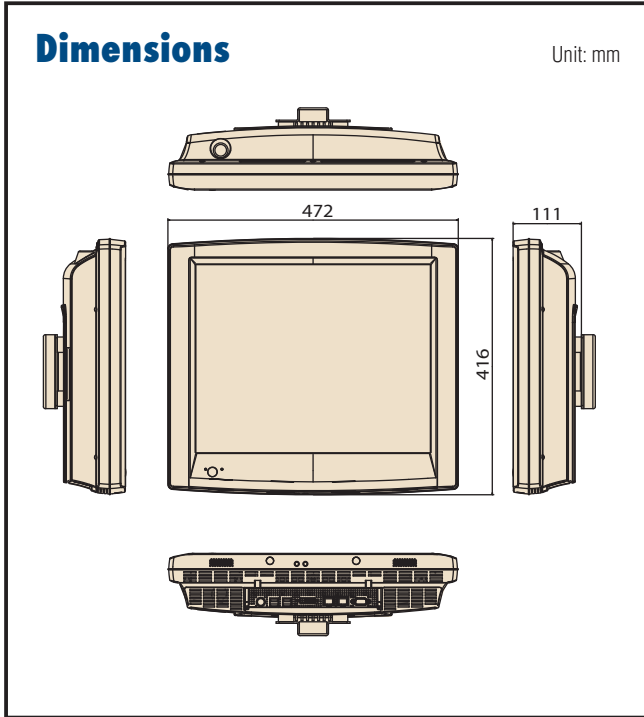


### Features

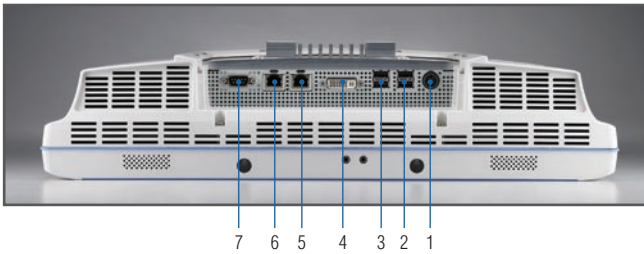
- 19" LCD display with 16.7 M colors
- Intel® Core™ Duo (low-power) processor
- Fanless design with low audible noise
- Isolated design provides unique electric leakage protection for COM ports and LAN ports
- IPX1 water resistant enclosure with additional IP65 dust-tight front panel
- UL60601-1/EN60601-1, CE & FCC Class B certified
- Optional 802.11b/g WLAN module and touchscreen

### Specifications

Computing System	Chipset	Intel 945GME GMCH/ICH7M
	CPU	Intel Core Duo processor 1.66 GHz
	Front Side Bus	667 MHz
	Memory	Supports up to 4GB DDR2 533/667 Mhz SDRAM
Graphics	Controller	Intel 945GME integrated
	VRAM	Dynamic Video Memory Technology (DVMT) 3.0 to dynamically allocate up to 128 MB of system memory for graphics usage.
Expansion Slot	Mini PCI	1 x Mini PCI slot, supports type IIIA Mini PCI
	Mini PCI-E	1 x Mini PCI-E slot
Storage	HDD	1 x 2.5" SATA
Ethernet	Interface	2 x Gigabit Ethernet interface (RJ-45)
I/O Ports		1 x RS-232/422/485 (by jumper option, isolated) serial port; 4 x USB ports; 1 x DVI-I port
Speakers		2 x 1 W speakers; 1 x MIC-in and 1 x Line/Headphone Out
Display	Display type	19" TFT LCD.
	Max. Resolution	1280 x 1024
	Max. Colors	16.7M
	Dot size (mm)	0.294 x 0.294
	Viewing angle	178/178°
	Luminance	300 cd/m <sup>2</sup>
	Contrast ratio	1300 : 1
	LCD MTBF	50,000 hours
Power Supply	Backlight lifetime	50,000 hours
		Universal AC/DC adapter (Sinpro Model no. MPU100-107)
	Input voltage	100 ~ 240 V <sub>AC</sub> , 47 ~ 63 Hz, 1.25 ~ 0.5 A
	Output voltage	+18 V <sub>DC</sub> , 5.55 A max. (100 watts)
Optional Touchscreen	Type	Analog Resistive
	Light transmission	75%
	Controller	RS-232 interface (use COM3)
	Durability	30 million touches
Environment	Temperature	0 ~ 40 °C (Operating)
	Humidity	10 ~ 95% @ 40 °C (non-condensing)
	Shock Resistance	20G peak acceleration (11ms duration)
	Water/dust Resistance	IPX1 for whole system
Physical Characteristics	Dimensions (W x H x D)	472 x 416 x 111 mm (18.58" x 16.38" x 4.37")
	Weight	10 kg (22.05 lb)

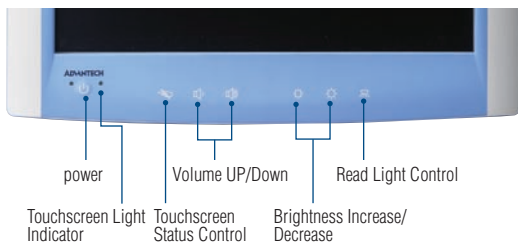


## I/O Drawing



1. 4 pins mini-DIN DC connector
2. USB 2.0 Ports x 2
3. USB 2.0 Ports x 2
4. DVI port
5. 10/100/1000 Base-T Ethernet interface (RJ-45)
6. 10/100/1000 Base-T Ethernet interface (RJ-45)
7. Isolated RS-232/422/485 COM port (By jump set)

## Function keys



## Ordering Information

Part Number	Touch Panel	HDD 24 x 7	RAM
POC-S196-166-AE	-	-	1 GB
POC-S196-166-ATE	Res.TS	-	1 GB

## Packing List

Description	Quantity
AC 100W SPS MPU100-107 W/PFC 100-240	1
User manual for POC-S196 model 1st Ed	1
Advantech 2-year warranty card	1
Startup manual	1
CD-ROM for POC-S series Driver & Utility	1
China RoHs report	1

## Accessories

Part Number	Description
1702002600	Power Cable (USA) 1.83M
1702002605	Power Cable (Europe) 1.8M
*	802.11b/g wireless LAN mini-PCI module & external antenna

\*means this accessory will go with T Part Number. Please contact Advantech sales for more details.