

POC-S195

19" Slim Point-of-Care Terminal with IP54 Standard Compliance



Features

- 19" LCD display with 16.7 M colors
- Certified IP54 dust and water-splash proof enclosure with additional IP65 dust-tight front panel
- Fanless design with low audible noise
- Isolation design provides unique electric leakage protection for COM ports and LAN ports
- UL60601-1/EN60601-1, CE & FCC Class B certified
- Optional 802.11b/g WLAN module and touchscreen

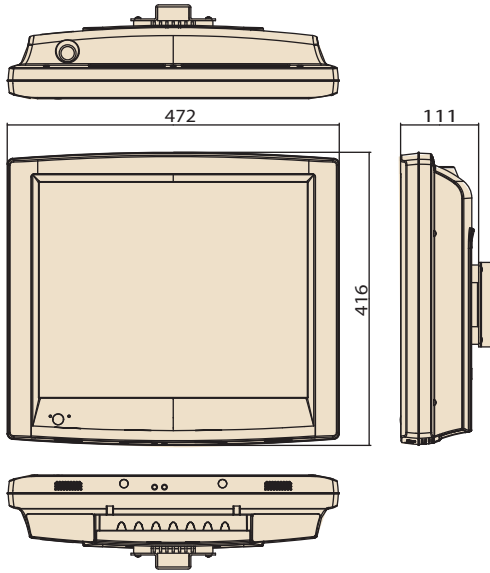


Specifications

Computing System	Chipset	Intel 855GME GMCH/ ICH4 Chipset
	CPU	Intel Pentium M processor ULV 1.4GHz / Celeron M processor 1.0 GHz
	Front Side Bus	400 MHz
	Memory	2 x 184-pin DIMM sockets, supports up to 2 GB DDR 200/266/333 SDRAM
Graphics	Controller	Intel 855GME integrated
	VRAM	Dynamically shared system memory up to 64 MB
Expansion Slot	Mini PCI	1 x Mini PCI slot, supports type IIIA Mini PCI
Storage	HDD	1 x 2.5" IDE
	CompactFlash	1 x Type I/II
Ethernet	Interface	1 x 10/100Base-T Ethernet interface (RJ-45)
I/O Ports		1 x RS-232 and 1 x RS-232/422/485 (isolated) serial port; 2 x USB ports; 1 x PS/2 mouse and K/B; 1 x D-sub VGA port
Speakers		2 x 1 W speakers; 1 x MIC-in and Speaker-out
Display	Display type	19" TFT LCD
	Max. Resolution	1280 x 1024
	Max. Colors	16.7M
	Dot size (mm)	0.294 x 0.294
	Viewing angle	178°
	Luminance	300 cd/m2
	Contrast ratio	1300 : 1
	LCD MTBF	50,000 hours
Power Supply	Backlight lifetime	50,000 hours
		Universal AC/DC adapter (Sinpro Model no. MPU100-108)
	Input voltage	100 ~ 240 V _{AC} , 47 ~ 63 Hz, 1.25 ~ 0.5 A
Optional Touchscreen	Output voltage	+24 V _{DC} , 4.16 A max. (100 watts)
	Type	Analog Resistive
	Light transmission	75%
	Controller	RS-232 interface (use COM4)
Environment	Durability	30 million touches
	Temperature	0 ~ 35° C (Operating)
	Humidity	10 ~ 95% @ 40° C (non-condensing)
	Shock Resistance	20G peak acceleration (11ms duration)
	Water/dust Resistance	IP54 for whole system, IP65 for front bezel
Physical Characteristics	Dimensions (W x H x D)	472 x 416 x 111 mm (18.58" x 16.38" x 4.37")
	Weight	10 kg (22.05 lb)
	Power Supply Input	10.8 ~ 26.4 V DC, 3 A max. @ 24 V DC (w/o battery)

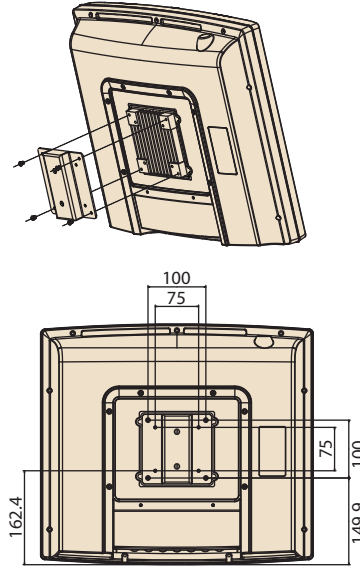
Dimensions

Unit: mm

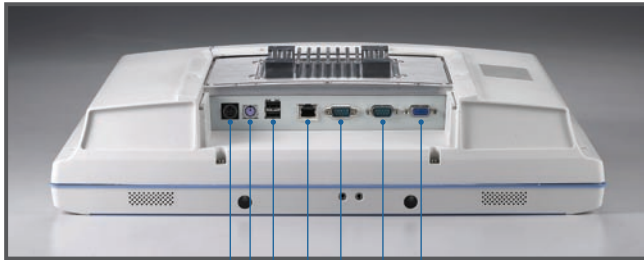


Mounting

Unit: mm

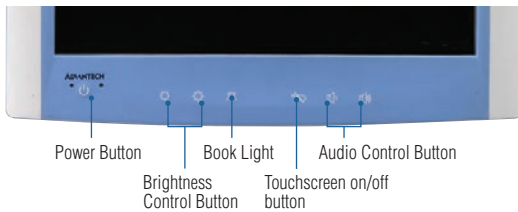


VESA: 75 x 75 mm ; 100 x 100 mm



1 2 3 4 5 6 7

- 1. 4-pin mini-DIN DC connector
- 2. PS/2 Mouse/Keyboard Port
- 3. USB 2.0 Ports x 2
- 4. 10/100Base-T Ethernet interface (RJ-45)
- 5. Isolated RS-232/422/485 COM port (COM1)
- 6. RS-232 COM port (COM2)
- 7. D-sub VGA port



Ordering Information

Part Number	Touch Panel	HDD 24 x 7	RAM
POC-S195-140-BE	-	-	-
POC-S195-140-BTE	Res.TS	-	-
POC-S195-PTE	Res.TS	80 G IDE	1 GB

Packing List

Description	Quantity
Startup manual	1
PS/2 keyboard & mouse splitter cable	1
M4 x 20 screw set for VESA mounting	4
AC 100W SPS MPU100-108 W/PFC 100-240	1
CD-ROM for POC-S Driver & Utility HDD Frame	1
2.5" HDD mounting bracket	1
Fix bracket for HDD mounting bracket	2
Rubber Cushion for HDD anti-vibration	8
M3 x 4 screw set to mount HDD bracket	8
Advantech 2-year warranty card	1

Accessories

Part Number	Description
1702002600	Power Cable (USA) 1.83M
1702002605	Power Cable (Europe) 1.8M
*	802.11b/g wireless LAN mini-PCI module & external antenna

*means this accessory will go with T Part Number. Please contact Advantech sales for more details.