

POC-154

15" Intel® Pentium® 4-M Processor-based Point-of-Care Terminal



Features

- 15" LCD display
- Isolated design provides unique electric leakage protection for COM ports and LAN ports
- IPX1 water resistant enclosure with additional IP65 dust-tight front panel
- PCI expansion slot x 1
- UL60601-1/EN60601-1, CE & FCC Class B certified
- Optional 802.11b/g WLAN module and touchscreen

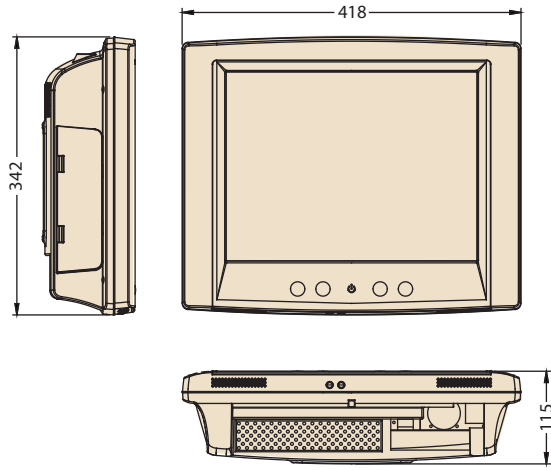


Specifications

Computing System	Chipset	Intel 845GV GMCH/ICH4 Chipset
	CPU	Intel Pentium 4 Mobile up to 2.2 GHz (Long term support with 1.7 GHz and 2.2 GHz)
	Front Side Bus	400 MHz
	Memory	DDR 333/266 DRAM, 2 x 184-pin DIMM (max. 2 GB)
Graphics	Controller	Intel 845GV
	Expansion Slot	2 x Type II 1 x PCI 2.2 expansion slot
Storage	HDD	1 x 2.5" IDE
	FDD	1 x 1.44 MB
Ethernet	Interface	2 x 10/100Base-T Ethernet interface (RJ-45)
I/O Ports	T/S Model	2 x RS-232 (isolated) and 1 x RS-232/422/485 (isolated) serial ports;
	non T/S Model	2 x RS-232 (isolated) and 1 x RS-232/422/485 (isolated) serial ports; 1 x RS-232 2 x USB ports; 1 x Parallel port; 1 x PS/2 mouse and K/B interface; 2 x PCMCIA
Audio		2 x 1 W speakers; 1 x MIC-in, 1 x line-in and 1 x line-out
Optical Device		1 x slim type CD-ROM or COMBO (option)
Display	Display type	15" TFT color LCD.
	Max. Resolution	1024 x 768
	Max. Colors	262K
	Pixel Pitch (mm)	0.297
	Viewing angle (H/V)	130/120°
	Luminance	350 cd/m ²
	Contrast ratio	500 : 1
	LCD MTBF	50,000 hours
Power Supply	Backlight lifetime	50,000 hours at 6.5 mA
	AC Model	Internal ATX power supply
	Input voltage	100 ~ 240 V _{AC} , 4/2 A max. @ 50 ~ 60 Hz
	Output voltage	+5 V @ 12 A, +12 V @ 12 A, +3.3 V @ 16.8 A, +5 Vsb @ 2.0 A, -12 V @ 0.8 A (180 watts)
Optional Touchscreen	DC Model:	
	Input voltage	+24 Vdc, 7.5A max
	Output voltage	+5 V @ 10 A, +12 V @ 4 A, +3.3 V @ 8 A, +5 Vsb @ 0.75 A, -12 V @ 1 A
	Type	Analog Resistive
Certification	Light transmission	75%
	Controller	RS-232 interface (use COM4)
	Durability	30 million touches
Environment		CE, FCC, VCCI, BSMI approved UL60950, UL60601-1, EN60950, EN60601-1 approved
	Temperature	0 ~ 40° C (32 ~ 104° F) (Operating)
	Humidity	10 ~ 95% @ 40° C (non-condensing)
	Shock Resistance	50G peak acceleration (11ms duration)
	Power MTBF	100,000 hrs
	Water/dust Resistance	IPX1 compliant, IP65/NEMA Compliant
Physical Characteristics	Dimensions (W x H x D)	418 x 342 x 115 (16.46" x 13.46" x 4.53")
	Weight	6.5 kg (14.33 lb)

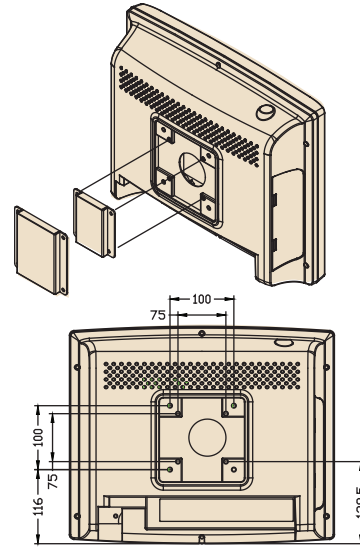
Dimensions

Unit: mm



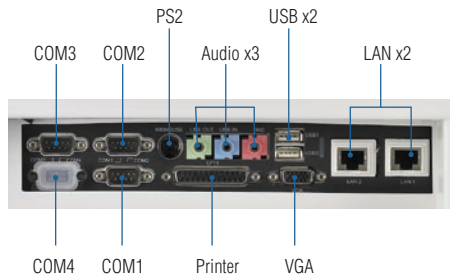
Mounting

Unit: mm



VESA: 75 x 75 mm, 100 x 100 mm

Rear I/O



Ordering Information

Part Number	Touch Panel	CPU	HDD 24 x 7	RAM
POC-154CD-AC-AE	-	-	-	-
POC-154CD-AC-ATE	Res.TS	-	-	-
POC-154CB-AC-AE	-	-	-	-
POC-154CB-AC-ATE	Res.TS	-	-	-
POC-154CD-PE	-	Intel Pentium 4 2.2 GHz	80 G IDE	1 GB
POC-154CD-PTE	Res.TS	Intel Pentium 4 2.2 GHz	80 G IDE	1 GB

Accessories

Part Number	Description
WLAN-325HUE	802.11 b Wireless PCMCIA LAN Card (Det. Ant.) for Europe
WLAN-325HAE	802.11 b Wireless PCMCIA LAN Card (Det. Ant.) for USA
POC-153 STAND	Stand for POC-154/POC-155
1702002600	Power Cable (USA) 1.83M
1702002605	Power Cable (Europe) 1.8M

Packing List

Part Description	Quantity
CABLE 6P-6P-6P PS/2 KB & MOUSE 20 cm	1
HEATSINK CPU NEW POC-174 A1	1
User Note VESA Mounting Screws POC-174	1
CD-ROM for POC-154 Driver & Utility	1
Advantech 2-year warranty card	1



Spill & Dust Resistant

IP65 certified front panel; IPX1 certified enclosure



Design of side cover prevents unauthorized access to FDD, disk and water-splash

Optical Device
2 x PIMCIA
Floppy



Volume control Button Brightness Control Button