

POC-123

Point-of-Care Terminal with 12.1" TFT LCD



Features

- Point-of-Care terminal for eHealthcare/Medical Applications
- 300 cd/m², 150 : 1 (min) contrast ratio LCD for better X-Ray image quality
- Spill and dust resistant
- UL60601-1/EN60601-1, CE & FCC Class B certified
- Fanless and ultra-low power consumption
- Optional battery backup package

Introduction

The POC-123 is a medical grade multimedia Panel Computer with UL60601-1/EN60601-1 approval. Low-audible noise supplies an ideal and secure point-of-care solution for patients and hospital practitioners. The POC-123 has two power sources; an optional battery pack and AC power supply. The battery charges when the POC-123 is connected to the AC power adapter. The optional rechargeable battery pack has more than 60 minutes of battery life and functions as an UPS back-up during unexpected loss of power. This smart battery indicates the charging status and percentage of remaining power. POC-123's ultra-low power consumption saves energy costs and maximizes battery life. Specially designed to resist spills and water damage, the POC-123 ensures dust resistance with its protected LCD, sealed ports, and card slots. The fanless feature avoids noise and dust. It is equipped with a high brightness 300 cd/m² LCD, and its 500 : 1 contrast ratio makes the POC-123 a perfect image terminal for PACS & DICOM applications.

Specifications

General

- **Dimensions (W x H x D)** 345 x 275 x 80 mm (13.60" x 10.83" x 3.15")
- **Weight** 4.5 kg (9.39 lb)
- **Power Supply**
 - AC/DC power adapter**
Input voltage: 90 V_{AC} ~ 264 V_{AC}
Output voltage: 24 V @ 2.1 A
 - DC/DC converter**
Input voltage: 18 V_{DC} ~ 25 V_{DC}, 3.5 A max
Output voltage: +5 V @ 6 A, +3.3 V @ 6 A, +12 V @ 2 A, -12 V @ 0.5 A, -5 V @ 0.5 A, +5 VSB @ 1 A
- **Front Panel** IP65/NEMA 4 compliant

Standard PC Functions

- **CPU** Onboard VIA® C3 Eden™ 667 MHz or above
- **Memory** Support up to 1GB SDRAM with 2 x 168-pin DIMM sockets
- **HDD** 1 x 2.5" IDE HDD
- **SSD** 1 x type II CompactFlash® socket
- **CD ROM** Slim type (Optional: CD-RW / DVD-ROM)
- **I/O Ports & Speakers** 4 x Serial ports: 3 x RS-232, 1 x RS-232/422/485; 1 x Parallel port, 2 x USB ports, 1 x PS/2 mouse and K/B; 1 x Mic-in, Line-in, Speaker-out; 2 x 1 W speakers
- **Network (LAN)** 10/100Base-T Ethernet interface
- **Bus Expansion** One mini PCI expansion slot (optional)
- **Optional** Battery backup package

Display Specifications

- **Display Type** 12.1" TFT LCD
- **Max. Resolution** 800 x 600
- **Colors** 262 K (6 bits/color)
- **Dot Size (mm)** 0.307 x 0.307
- **Viewing Angle** 140/110 degrees
- **Luminance** 400 cd/m²
- **Contrast Ratio** 500 : 1
- **Backlight Lifetime** 50,000 hours

Environmental Specifications

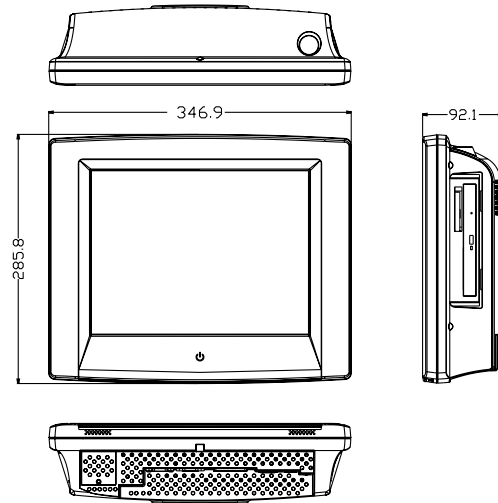
- **Temperature** 0 ~ 40° C
- **Relative Humidity** 10 ~ 95% @ 40° C (non-condensing)
- **Shock** 10 G peak acceleration (11 msec duration)
- **Power MTBF** 100,000 hrs
- **Certifications** CE, FCC, VCCI, BSMI approved
- **Safety** FCC, UL60601-1, EN60601-1, UL60950, EN60950 approved

Touchscreen

- **Type** Analog Resistive
- **Resolution** Continuous
- **Light transmission** 75%
- **Controller** RS-232 interface (use COM4)
- **Durability** 30 million touches

Dimensions

Unit: mm



Ordering Information

- **POC-123CD-DC-C** VIA Eden, 12.1" LCD Point of Care Terminal with CD-ROM
- **POC-123CD-DC-CT** VIA Eden, 12.1" LCD Point of Care Terminal with CD-ROM/Touchscreen
- **POC-123CB-DC-C** VIA Eden, 12.1" LCD Point of Care Terminal with COMBO CD-ROM
- **POC-123CB-DC-CT** VIA Eden, 12.1" LCD Point of Care Terminal with COMBO CD-ROM/Touchscreen
- **POC-153 STAND** Desktop stand for POC-123/153 series

Optional Items

- Rechargeable Li-ion battery pack (3S2P 11.1 V 4000 mAh)
- 802.11b wireless antenna with Mini-PCI module

Mounting

- **VESA** 75 x 75 mm

