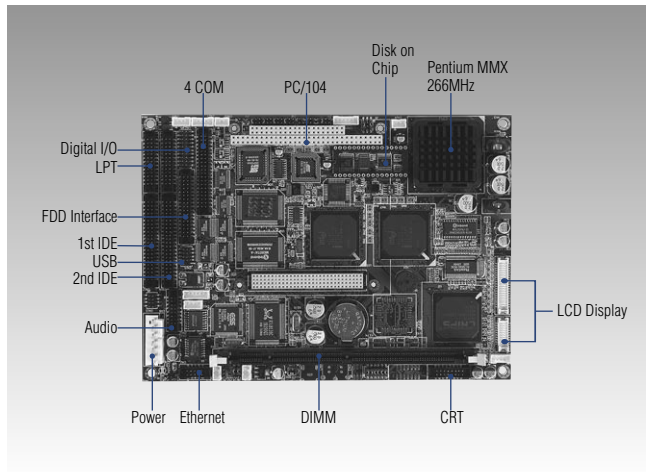


PCM-9550

Low Power Intel® Pentium® MMX™ SBC
with CPU, Audio, VGA/LCD and LAN



Features

- Embedded Intel® low power Pentium® MMX processor
- Fanless 0 – 60° C operation
- Mini PCI Interface
- Supports Wake-on-LAN, Wake-on-modem
- Supports LCD backlight turn-off function
- 4 COM ports w/power & DIO for POS market
- Supports Dual Display under Windows® 98/Windows® 2000 (69030)

Specifications



General

- **CPU** Embedded Intel low power Pentium 266 MHz processor
- **2nd Cache Memory** 512 KB SRAM
- **System Chipset** Intel 430TX
- **BIOS** AWARD 256 kbit Flash BIOS
- **System Memory** SDRAM 168-Pin DIMM x 1, Max. 256 MB
- **Power Management** APM 1.1
- **SSD** CompactFlash® card and DiskOnChip®
- **WatchDog Timer** 1 – 62 sec, 62 level timer intervals, system reset or IRQ11
- **Expansion Interface** PC/104-Plus (ISA & PCI), 1 x mini-PCI socket (Type III, PCM-9550F only)
- **Battery** Lithium 3 V/196 mA

I/O

- **I/O Interface** 2 x EIDE (Ultra DMA33), 1 x FDD, 1 x K/B, 1 x Mouse, 1 x RS-232/422/485, 3 x RS-232, 1 x LPT
- **USB** 2 USB ports, USB 1.1 compliant
- **Audio** Creative ES1989 supports AC'97 2.0 compliant, Mic-in, Line-in, CD Audio-in, Line-out, speaker-out (PCM-9550F)
- **IrDA** 4 Mbps, IrDA 1.1 compliant
- **GPIO** 8 TTL digital input and 8 TTL digital Output (2 opto-isolated open collectors + 6 TTL)

Ethernet

- **Chipset** RealTek RTL8139C
- **Speed** 10/100 Mbps (optional)
- **Interface** RJ45 by cable
- **Standard** IEEE 802.3u 100BASE-T Fast Ethernet compatible
Built-in boot ROM in Flash BIOS

Display

- **Chipset** Asilient (C&T) 69000 or 69030
- **Memory Size** 2 MB or 4 MB
- **Resolution** CRT Mode: 1280 x 1024 @ 8 bpp (60 Hz), 1024 x 768 @ 16 bpp (85 Hz), 800 x 600 @ 24 bpp (85 Hz) LCD/Simultaneous Mode: 1280 x 1024 @ 8 bpp, 1024 x 768 @ 16 bpp, 800 x 600 @ 24 bpp
- **LCD Interface** Support for up to SXGA TFT panels with 9, 12, 16, 18, 24, 36-bit and 8, 16, 24-bit DSTN panels up to SVGA resolution
- **TV-Out** N/A
- **Dual Independent Display** N/A

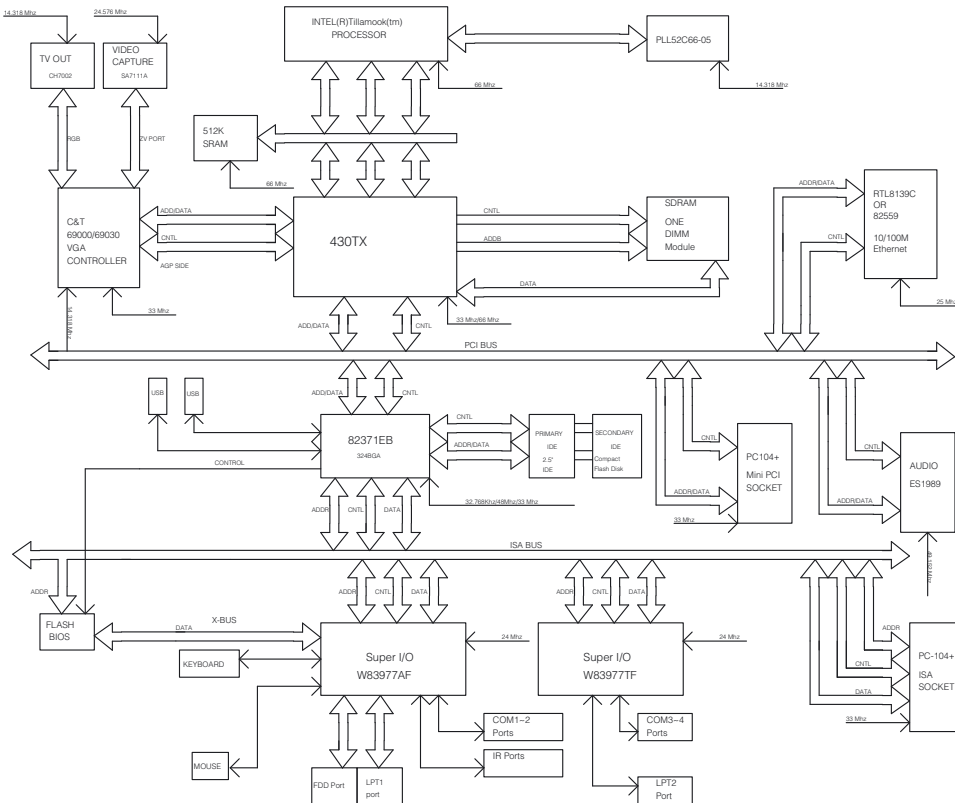
Mechanical and Environmental

- **Dimension (L x W)** EBX form factor, 203 x 146 mm (8" x 5.75")
- **Weight** 0.57 kg (weight of total package)
- **Operating Temperature** 0 – 60° C (32 ~ 140° F)
- **Operating Humidity** 0% – 90% Relative Humidity, non condensing

Power

- **Power Supply Voltage** +5 V ±5%
- **Power Consumption** Max. : 4.5 A @ +5 V
Typical: 2.8 A @ +5 V
(with 64 MB DRAM, Intel Pentium 266 MHz)

Board Diagram



Packing List

- 1 x PCM-9550 SBC
- 1 x Mini Jumper Pack [count.: 10 pcs]
- 1 x Startup Manual
- 1 x Utility CD

(p/n: 9689000002)

Ordering Information

Standard

- **PCM-9550F-FOA1** Pentium SBC with 266 MHz CPU, Audio, VGA, LCD, Ethernet and SSD
- **PCM-9550L-FOA1** Same as PCM-9550F-FOA1, but without audio, DIO, CFC, PC/104+, LPT2, Share IRQ, Mini PCI

Optional Accessories

- **PCM-10586-5000** Wiring kit for PCM-9550F
- **PCM-10586-5L00** Wiring kit for PCM-9550L
- **1703100260** USB cable for PCM-9570/9572F/9574/9576F/9550F/9575
- **1703100121** USB cable for PCM-9570/9550/9576/9575 to meet MBPC-300 chassis
- **PCM-200-00A2** PC/104+ to PCI adapter
- **MBPC-300-9550F** Micro Box 5.25" Biscuit SBC chassis for PCM- 9550F, PCM-9550L
- **PS-55A** 55 W AC power supply for MBPC-300