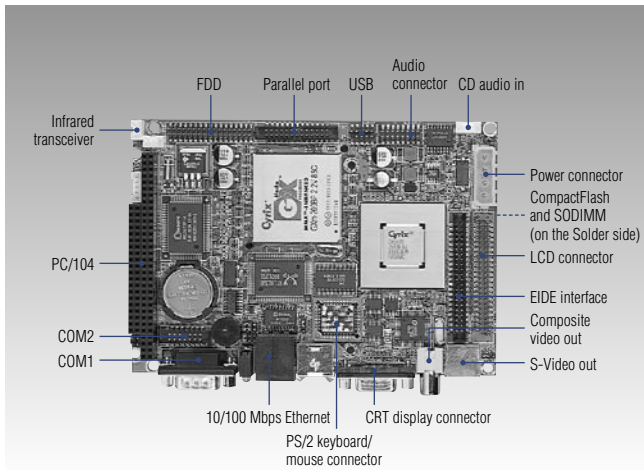


PCM-5822

3.5" SBC with AMD Geode™,
VGA, LCD, TV-out, LAN, USB



Specifications

- **CPU** Onboard AMD Geode™ processor, GX1-300 MHz processor (PCM-5822-G0B1), GXLV-200 MHz processor (PCM-5822-D0A1)
 - **2nd Cache Memory**
 - **System Chipset** AMD CX 5530
 - **BIOS** AWARD® 256 kbit Flash BIOS
 - **System Memory** 1 x SDRAM SODIMM, Max. 256 MB
 - **Power Management**
 - **SSD** Supports CompactFlash® card
 - **WatchDog Timer** Software enable/disable 1.6 sec. Optional 65 sec.
 - **Expansion Interface** PC/104
 - **Battery** Lithium 3 V/196 mAh
- I/O**
- **I/O Interface** 1 x EIDE (Ultra DMA33), 1 x FDD, 1 x K/B, 1 x Mouse, 1 x RS-232/422/485, 1 x RS-232, 1 x LPT
 - **USB** 2 x USB ports, USB 1.0 compliant
 - **Audio** AMD CX 5530, AC'97 2.0 compliant
 - **IrDA** 115 kbps, IrDA 1.0 compliant
 - **GPIO** N/A
- Ethernet**
- **Chipset** RealTek® 8139C
 - **Speed** 10/100 Mbps (optional)
 - **Interface** 1 x RJ45
 - **Standard** IEEE 802.3u 100Base-T Fast Ethernet compatible
Built-in boot ROM in Flash BIOS

Features

- Compact and powerful, less than 8 W power consumption
- 100Base-T Fast Ethernet
- 18-bit TFT LCD
- AC'97 V 2.0 Compliance
- TV-out

Display

- **Chipset** AMD CX 5530
- **Memory Size** 1 - 4 MB UMA share memory
- **Resolution** up to 1024 x 768 @ 24 bpp non-interlaced CRT and 1024 x 768 @ 18 bpp TFT LCD display (supports 3.3 V LCD)
- **LCD Interface** 18-bit TTL for TFT LCD only
- **TV-out** Chronitel® CH 7003B supports both NTSC and PAL, TV format provides composite, S-Video, and SCART (optional) output via RCA and S-Video connectors
- **Dual Independent Display** N/A

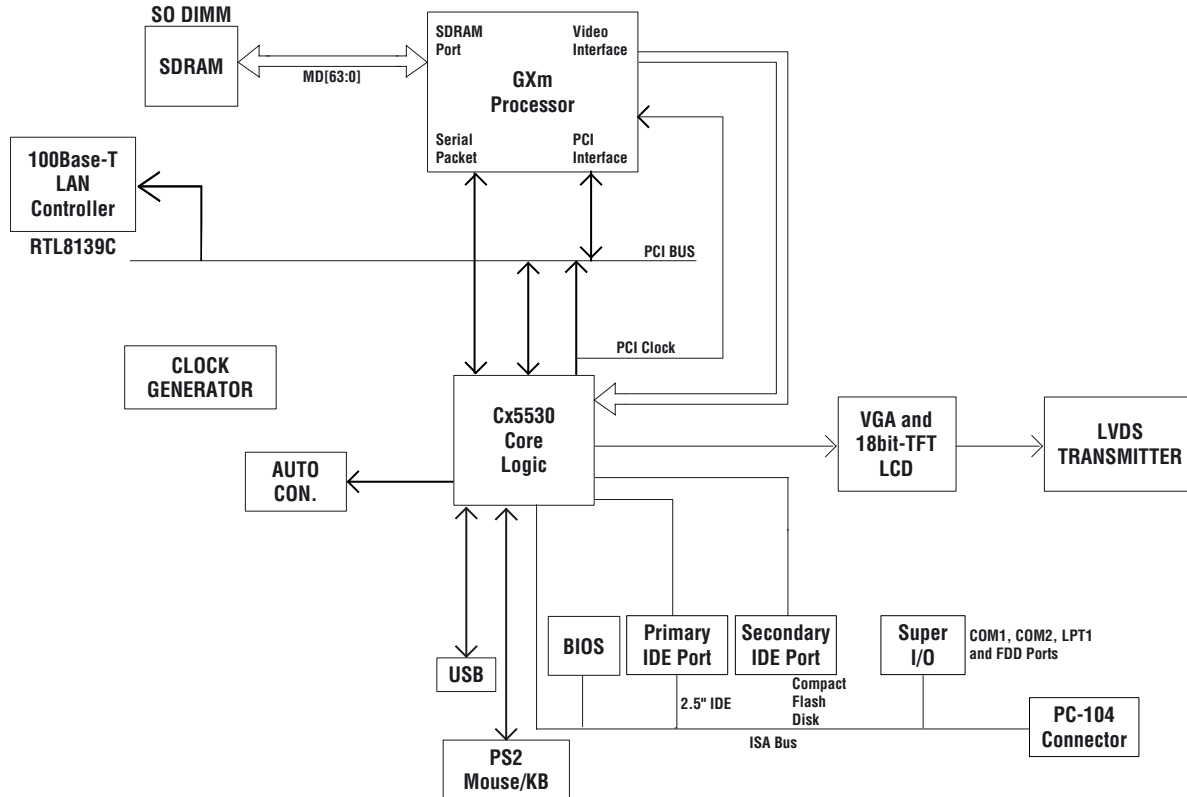
Mechanical and Environmental

- **Dimension (L x W)** 146 x 102 mm (5.7" x 4")
- **Weight** 0.75 kg (weight of total package)
- **Operating Temperature** 0 ~ 60° C (32 ~ 140° F)
- **Operating Humidity** 0% ~ 90% Relative Humidity, noncondensing

Power

- **Power Supply Voltage** +5 V ± 5%,
- **Power Consumption** Max. : 4 A @ +5 V
Typical: 1.5 A @ +5 V (with GX1-300 CPU & 64 MB DRAM)

Board Diagram



Packing List

- 1 x PCM-5822 SBC
- 1 x Mini Jumper pack [count.: 10 pcs]
- 1 x Keyboard & mouse cable 6P-6P-6P
- 1 x Audio cable for PCM-5820
- 1 x Cable for LPT port
- 1 x COM2 cable
- 1 x FDD cable
- 1 x HDD cable
- 1 x USB cable
- 1 x Startup Manual
- 1 x Utility CD

(p/n: 9689000002)
 (p/n: 1700060202)
 (p/n: 1700160160)
 (p/n: 1700260250)
 (p/n: 1701140201)
 (p/n: 1701340603)
 (p/n: 1701440351)
 (p/n: 1703100260)

Ordering Information

Standard

- **PCM-5822-D0A1** 3.5" SBC with GXLV-200, VGA, LCD, TV-out, LAN, USB
- **PCM-5822-G0B1** 3.5" SBC with GX1-300, VGA, LCD, TV-out, LAN, USB

Optional Accessories

- **MBPC-200-5822** MicroBox 3.5" Biscuit SBC chassis for PCM-5822
- **PS-50A** 50 W AC power supply for MBPC-200