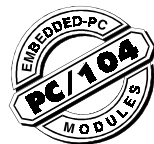


PCM-3521 PC/104 Flat-panel/CRT VGA Module Startup Manual



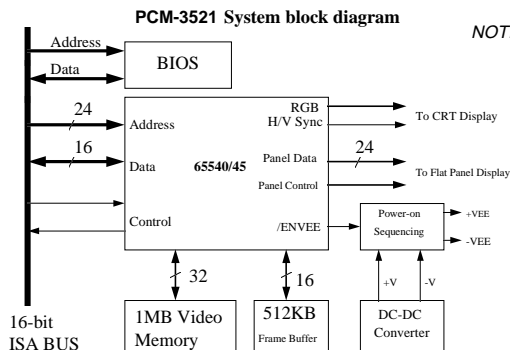
Introduction

The PCM-3521 Flat-panel/CRT VGA Module supports a wide range of popular LCD, EL and gas plasma flat-panel displays and traditional analog CRT monitors in high resolution display modes, while maintaining complete register, gate and BIOS compatibility with IBM VGA displays. A flat-panel display and a CRT VGA display can be used simultaneously.

Specifications

- Standard 16-bit PC/104 form factor
- C&T 65545
- Supports CRT and flat-panel (EL, LCD, and gas plasma) displays. Simultaneous usage of CRT and flat panel.
- Resolution:
 - Non-interlaced CRT monitor: up to 800 x 600 @ 256 colors
 - Flat panel: up to 800 x 600 @ 256 colors
- On-board 1MB display memory
- On-board 512 KB frame buffer
- DC to DC converter supplies LCD bias voltage (V_{EE} -35 V ~ +35 V)
- Supports 3.3 V / 5 V LCDs
- On-board variable resistor for panel contrast adjustment (may be extended by wires to display)

System block diagram



Initial inspection

Your shipping box should contain the following items:

- One PCM-3521 Flat-panel/CRT Display Module
- One software diskette with display drivers
- One bracket with 15-pin connector for VGA CRT
- One PC/104 support package
- One PCM-3521 Startup Manual
- One PCM-3521 User's Manual disk

Your PCM-3521 was carefully inspected both mechanically and electrically before being shipped. It should be free of marks and scratches and should be in perfect working order.

When unpacking, check the unit for any signs of damage (scratches, dents, torn shipping box, etc.). If there is any damage to the unit or if it fails to meet the specifications, please notify our service department or your local sales representative immediately. In addition, you should contact the carrier and refrain the shipping carton and packing material for inspection by the carrier. Advantech will then make arrangements to either repair or replace the unit.

WARNING! Discharge your body's static electric charge by touching the back of the grounded chassis of the system unit (metal) before handling the board.



You should avoid contact with materials that hold a static charge such as plastic, vinyl, and styrofoam. The board should be handled only by its edges to avoid static damage to its integrated circuits. Avoid touching the exposed circuit connectors.

NOTE:

1. For more detailed information on the PCM-3521, please refer to the full manual contained in the accompanying CD-ROM or disk (in PDF format).

2. Acrobat Reader is acquired to view any PDF files. Acrobat Reader can be downloaded at www.adobe.com/Prodindex/acrobat/readstep.html (Acrobat is a trademark of Adobe)