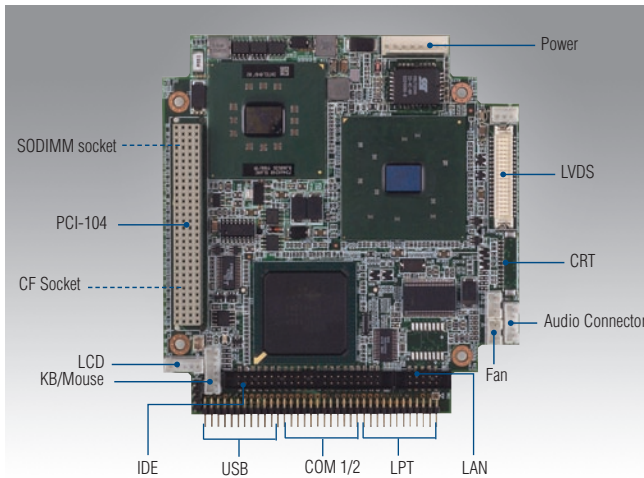


PCM-3386

Intel® Celeron® M
PCI-104 CPU Module



Features

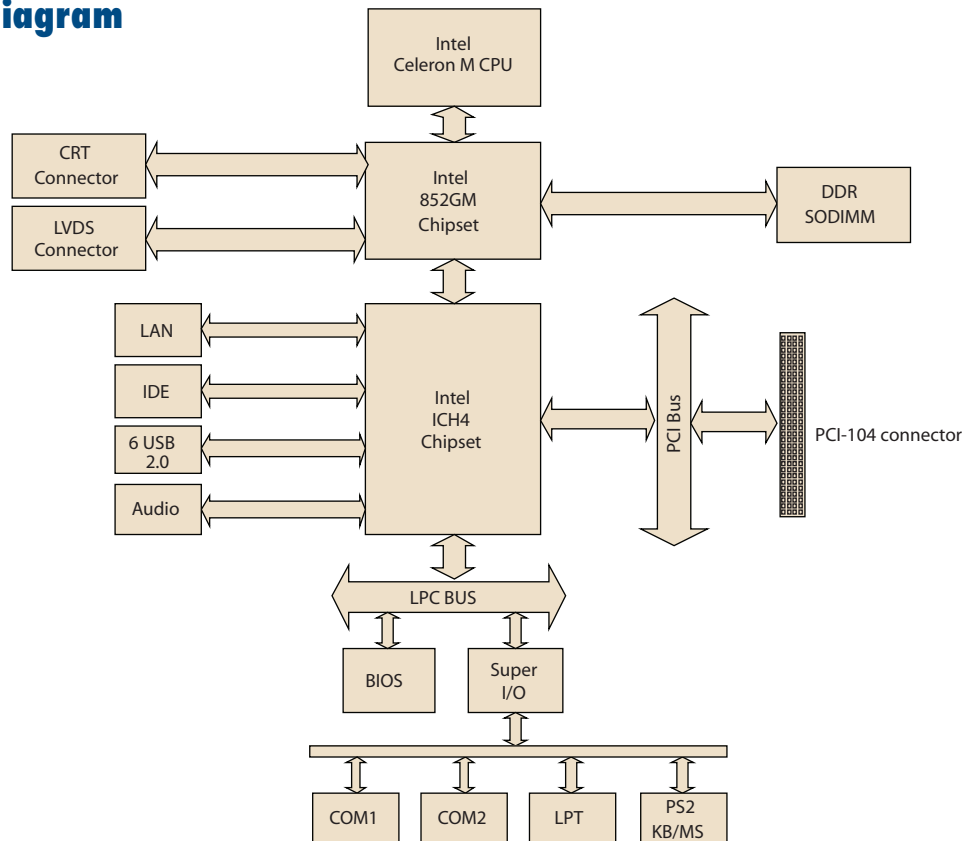
- Onboard fanless Celeron® M 600 MHz/ULV Celeron M 1 GHz
- Intel® 852 GM ICH4 Chipset
- Supports dual independent display via CRT + LVDS
- 10/100Mbps PCI Ethernet interface
- PCI-104 expansion connector
- Support for CompactFlash® Card (CFC) Type I Socket
- Supports six USB 2.0 ports
- SODIMM socket support up to 1 GB DDR SDRAM
- Supports audio function compliant with AC'97 2.0



Specifications

Processor System	CPU	Intel Celeron M 600 MHz / 1 GHz
	Front Side Bus	400 MHz
	L2 Cache	512 KB / 0
	Chipset	Intel 852GM + ICH4
	BIOS	Award 4 Mbit
Memory	Technology	DDR 200/266 MHz
	Max. Capacity	1 GB
	Socket	1 x 200-pin SODIMM
SSD	CompactFlash	Card Type I, Type II (option for Micro Drive)
I/O Interface	LPT	1 (share with FDD)
	FDD	1 (share with LPT)
	RS-232	2
	RS-232/422/485	-
	K/B	1
	Mouse	1
	USB	6 x USB 2.0
Audio	AC97, Lin-in, Lin-out, Mic-in	
EIDE	Mode	UDMA 33
	Channel	1
Expansion Slot	PCI-104	1
Ethernet	Speed	10/100Mbps
	Controller	Intel 82562EM
	Interface	1 x RJ-45 by cable
Display	Controller	Intel 852GM/GMCH
	VRAM	Optimized Shared Memory Architecture up to 64 MB system memory
	LVDS LCD	1 x 36-bit LVDS (1 x 48-bit optional) LCD Panel 16:9 wide screen panel supported
	Dual Independent Display	CRT + LVDS
Environment	Operation Temperature	0 ~ 60° C (32 ~ 140° F)
	Operating Humidity	0% ~ 90% relative humidity, non-condensing
Power	Power Type	ATX
	Power Supply Voltage	+5 V ± 5%, +12 V ± 5% (Optional) (5 V only, 12 V optional for PC104 add on card and LCD inverter)
	Power Consumption: Typical	+5 V @ 2.06 A (Celeron M 600 MHz)
	Power Consumption: Max, Test in HCT	+5 V @ 2.16 A (Celeron M 600 MHz)
	Power Management	APM, ACPI
	Battery	Lithium 3 V / 210 mAH
	Watchdog Timer	Output
	Interval	Programmable 1 ~ 255 sec
Physical Characteristics	Dimensions (L x W)	108 x 115 mm (4.3" x 4.5")
	Weight	0.279 kg (0.62 lb) (with heat-sink)

Board Diagram



Ordering Information

Part No.	CPU	L2 Cache	Chipset	CRT	LVDS	10/100	USB2.0	RS-232	LPT	CF	KB/MS	PCI-104 connector	Thermal Solution	Operation Temp.
PCM-3386F-S0A2E	ULV Celeron M 1 GHz	0 KB	852 GM	Yes	36-bit	1	6	2	Yes	Yes	Yes	Yes	Passive	0 ~ 60° C
PCM-3386F-M0A2E	Celeron M 600 MHz	512 KB	852 GM	Yes	36-bit	1	6	2	Yes	Yes	Yes	Yes	Passive	0 ~ 60° C

Packing List

Part No.	Description	Quantity
	PCM-3386 SBC	1
1703060053	Y -Cable external cable	1
1701440350	IDE 44P/44P/40P cable 35cm	1
1701440504	IDE cable(44pin to 40/44pin)	1
1703200380	Wire ATX power	1
1701100202	Ethernet RJ-45 Conn.conversion cable	1
1700060202	KB / MOUSE Y-cable	1
1701200220	COM port cable	1
1700000897	USB Cable 26cm	1
1700000898	VGA cable	1
1700000916	LPT port cable	1
1700000918	Audio cable (Line-in, Line-out, Mic-in)	1