

# PCM-205 User's Note

1<sup>st</sup> Edition, April/2003

## **Packing List**

- 1 PCM-205 LVDS transmitter module
- 1 Users Notes
- 1 Cable: 15cm; 40pin DF-13 (female) to 44-pin Du pont (female)

PCM-205 is 18-bit LVDS Transmitter Module fit in PCM-5823, PCM-5825, POS-563

## **1-1 Specification**

18bit TTL transmit to one-channel LVDS for 640\*480, 800\*600, 1024\*768 resolution panel

Operating temperature : 0 to 60°C (32 to 140°F)

Board size: 41mm X 35mm

## **1-2 Model:**

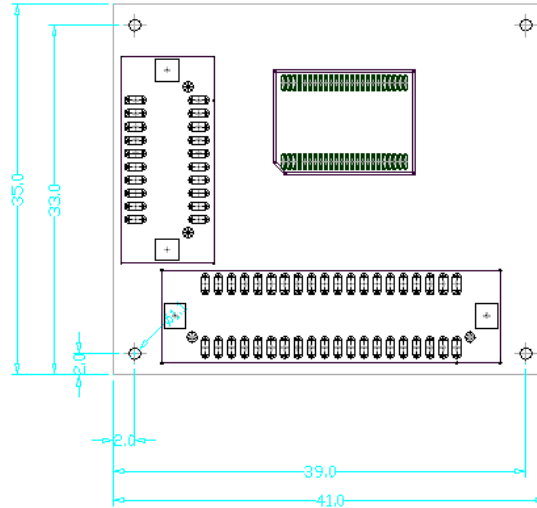
PCM-205-00A1: For PCM-5823, PCM-5825, POS-563

Notes: PCM-5823 only apply to 800\*600 LVDS panel

For technical support and service, please visit our support website at :

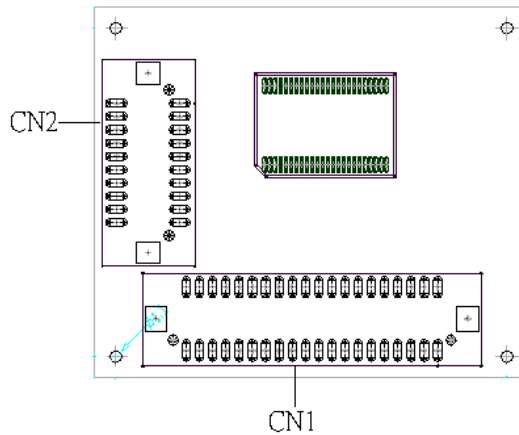
*<http://www.advantech.com/support>*

## **1-3 Board Layout and Mechanical Drawing**



### 1-3-1 Connectors

Label	Function
CN1	DF13-40DP Connector
CN2	LVDS Connector



### 1-3-2 Connector Pin assignments

CN1 (DF13-40DP Connector)

Pin Signal	Pin Signal
1 VDDSAFE5	2 VDDSAFE5

3 GND	4 GND
5 VDDSAFE3	6 VDDSAFE3
7 VCON	8 GND
9 PD0	10 PD1
11 PD2	12 PD3
13 PD4	14 PD5
15 PD6	16 PD7
17 PD8	18 PD9
19 PD10	20 PD11
21 PD12	22 PD13
23 PD14	24 PD15
25 PD16	26 PD17
27 PD18	28 PD19
29 PD20	30 PD21
31 PD22	32 PD23
33 GND	34 GND
35 SHFCLK	36 FLM
37 M	38 LP
39 STN_25M	40 ENAVEE

CN2 (LVDS Connector)

Pin Signal	Pin Signal
1 GND	2 GND
3 PD24	4 PD25
5 PD26	6 PD27
7 PD28	8 GN29
9 PD30	10 PD31
11 PD32	12 PD33
13 PD34	14 PD35
15 GND	16 GND
17 NC	18 NC
19 NC	20 NC

**1-3-3 Cable Pin assignments**

LCD Du Pont 44Pin

Pin Signal	Pin Signal
1 +12V	2 +12
3 GND	4 GND
5 VDDLCD	6 VDDLCD
7	8 GND
9	10 11 FD0 12 PD3
13 FD2	14 FD1
15 FD4	16 FD3
17	18 FD5
19 FD6	20
21 FD8	22 FD7
23 FD10	24 FD9
25	26 FD11
27 FD12	28
29 FD14	30 FD13
31 FD16	32 FD15
33 GND	34 FD17
35 SHFCLK	36
37 DE	38 FLM
39 GND	40 BNK#
41	42 ECK
43 VSAFE	44 VDDLCD

LVDS Connector

Pin Signal	Pin Signal
1 GND	2 GND
3 PD24	4 PD25
5 PD26	6 PD27
7 PD28	8 GN29
9 PD30	10 PD31
11 PD32	12 PD33
13 PD34	14 PD35
15 GND	16 GND
17 NC	18 NC
19 NC	20 NC