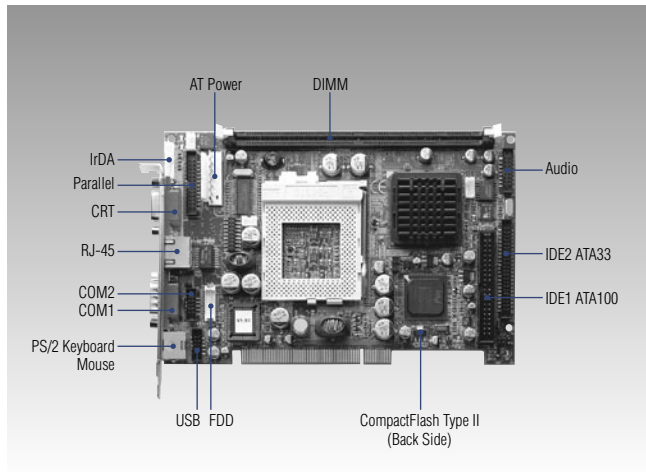


# PCI-6870

## PCI Socket 370 Slot-PC SBC, VGA/LAN/CFC II



### Features

- 32-bit PCI Slot
- Supports Socket 370 Intel® Celeron®/Intel Pentium® III Processor up to 1.2/1.26 GHz
- Supports up to 100/133 MHz FSB
- Direct AGP VGA

### Specifications

#### General

- **CPU** Supports FC-PGA/FC-PGA2 Socket 370 Celeron/ Pentium III up to 1.2/1.26 GHz (Does not support PPGA CPU)
- **2nd Cache Memory** 128 KB on the Celeron, 256 KB on the Pentium III
- **System Chipset** Intel 815E
- **BIOS** AWARD® 256 kbit Flash BIOS
- **System Memory** 1 x SDRAM DIMM, Max. 512 MB
- **Power Management** ACPI
- **SSD** Supports CompactFlash® Card Type I/II
- **Watch Dog Timer** 15 sec. ~ 127 min., Step 30 sec, System reset or IRQ11
- **Expansion Interface** 1 x 32-bit
- **Battery** Lithium 3 V/196 mAh

#### I/O

- **I/O Interface** 2 x EIDE (1 x Ultra DMA100, 1 x Ultra DMA33), 1 x FDD, 1 x K/B, 1 x Mouse, 1 x RS-232/422/485, 1 x RS-232, 1 x LPT
- **USB** 2 x USB ports, USB 1.1 compliant
- **Audio** AC'97 compliant
- **IrDA** 115 kbps, IrDA 1.0 compliant
- **GPIO** N/A
- **I/O Expansion** PCI

#### Ethernet

- **Chipset** 815E embedded + Intel 82562ET
- **Speed** 10/100Base-T
- **Interface** 1 x RJ-45
- **Standard** PCI Ethernet controller, IEEE 802.3 protocol compatible

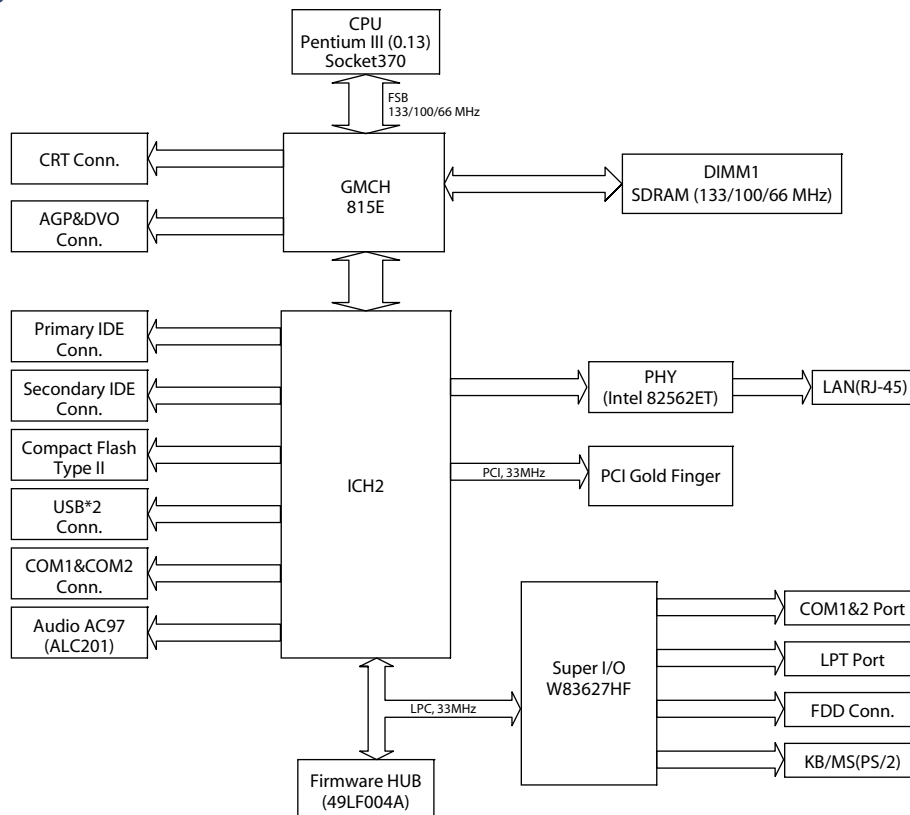
#### Display

- **Chipset** Intel 815E embedded
- **Memory Size** Share system memory up to 64 MB
- **Resolution** 1024 x 768 @ 24 bpp  
800 x 600 @ 24 bpp
- **LCD Interface** N/A
- **LVDS Interface** N/A
- **TV-Out** N/A
- **Dual Independent Display** N/A

#### Mechanical and Environmental

- **Dimension (L x W)** 185 x 122 mm (7.3" x 4.8")
- **Weight** 0.27 kg (weight of total package)
- **Operating Temperature** 0 ~ 60° C (32 ~ 140° F), operation
- **Operating Humidity** 0% ~ 90% relative humidity, non-condensing
- **Power Supply Voltage** +5 V, +12 V ± 5%
- **Power Consumption** Max: 8 A @ 5 V  
Typical: 6.68 A @ 5 V (w/PIII 850 MHz, 256 MB SDRAM) 280 mA @ 12 V

## Board Diagram



## Packing List

- 1 x PCI-6870 SBC
- 1 x Y Cable for PS/2 Keyboard, PS/2 Mouse (p/n:1700060202)
- 1 x E-IDE (HDD) Cable (p/n:1701400452)
- 1 x FDD Cable (600 mm) (p/n:1703340400)
- 1 x Parallel Port Cable (p/n:1700260250)
- 1 x Com Port Cable (p/n:1700100250)
- 1 x Power Cable (p/n:1703080101)
- 1 x Mini Jumper (p/n:1653300100)
- 1 x Startup Manual
- 1 x Utility CD

## Optional Accessories

- IPC-644P4-15ZE 4-slot PCI chassis w/backplane & 150 W power supply
- IPC-6806BP-20ZBE PCI chassis with 200 W power supply
- IPC-6606P5-30ZE 5-slot PCI chassis w/backplane & 200 W power supply
- PCA-6104P4-0B2E 4-slot PCI backplane
- PCA-6105P5-0B2E 5-slot PCI backplane
- 1703100260 USB cable adapter (2.00 mm)
- 9689000042 IrDA adapter
- CF-HDD-ADP CompactFlash 50-pin to IDE 44-pin adapter
- 1759209100 Fan/Heatsink module
- 1700160160 Audio Cable

## Ordering Information

Standard	CRT	10/100	USB	RS-232	RS-232/422/485	LPT	IrDA	CF
PCI-6870F-00A2E	1	1	2	1	1	1	115 kbps	Type I/II