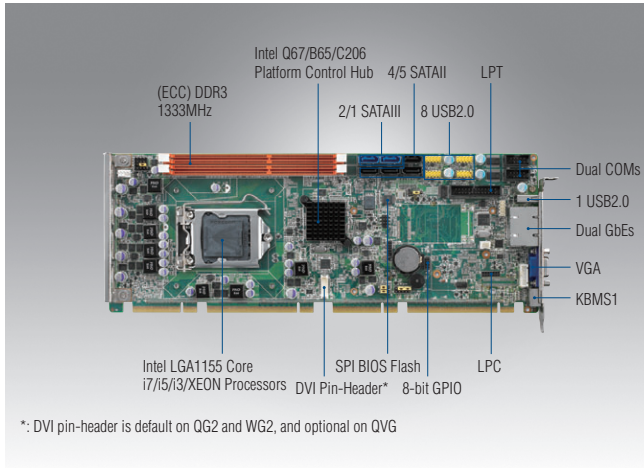


PCE-5126

LGA1155 Intel® Core i7/i5/i3 SHB with DDR3/Dual GbE/SATA III



Features

- LGA 1155 Intel® Core™ i7/i5/i3/Xeon® processors
- Dual Channel (ECC) DDR3 1333 MHz up to 8 GB
- Supports SATA RAID 0, 1, 5, 10, AMT7.0, TPM 1.2 (optional)
- Out-of-band remote management with IPMI (optional by IPMI module)
- Supports embedded software APIs and utilities

Software APIs:



Utilities:



Note: eSOS needs ODM BIOS available by request

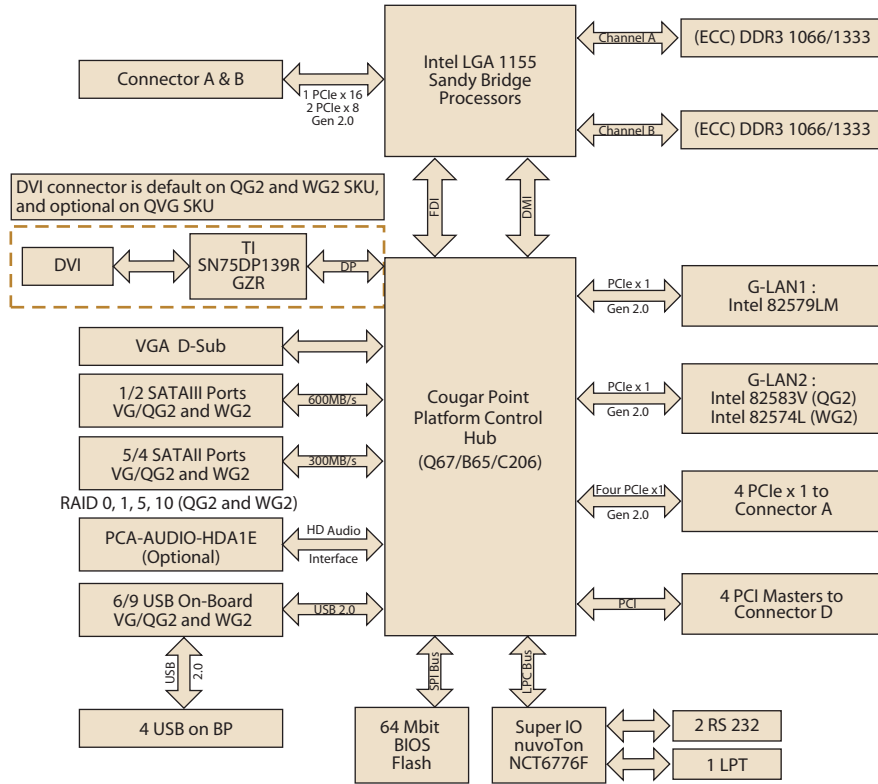


Specifications

| | | | | | | | |
|-------------------|--------------------|--|--------------|--------------|---|--------------|------|
| Processor System | CPU | Core i7 2600 | Xeon E3 1275 | Xeon E3 1225 | Core i5 2400 | Core i3 2120 | |
| | Speed | 3.4 GHz | 3.4 GHz | 3.1 GHz | 3.1 GHz | 3.3 GHz | |
| | L3 Cache | 8 MB | 8 MB | 6 MB | 6 MB | 3 MB | |
| | Support Model | QG2/QVG | WG2 | WG2 | QG2/QVG | QG2/QVG/WG2 | |
| | Socket | LGA1155 | | | | | |
| | Chipset | Q67 for QG2 version; B65 for QVG version; C206 for WG2 version | | | | | |
| | BIOS | AMI 64 Mbit SPI Flash | | | | | |
| Bus | PCI-Express | One PCIe x16 or two x8, plus four x1 to backplane (Gen 2.0) (Only WG2 version supports two PCIe x8 to support PCE-7XXX backplanes) | | | | | |
| | PCI | Four 32-bit 33 MHz PCI Masters to Backplane | | | | | |
| Memory | Technology | Dual channel (ECC) DDR3 1066/1333 MHz (ECC is only for WG2 version) | | | | | |
| | Max. Cap. | 4 GB per DIMM, total 8 GB, non-ECC for QG2 version; ECC for WG2 version | | | | | |
| | Socket | Two 240-pin DDR3 memory sockets | | | | | |
| Graphics | Onboard | Intel HD Graphics | | | | | |
| | VRAM | 1 GB maximum shared memory with 2 GB and above system memory installed | | | | | |
| | Video Output | 15 pin VGA D-sub connector x1/onboard DVI pin header x 1 (Default on QG2 and WG2, optional on QVG) | | | | | |
| Ethernet | Interface | 10/100/1000 Mbps | | | | | |
| | Controller | LAN1: Intel 82579LM LAN2: Intel 82583V for QG2 version; Intel 82574L for WG2 version | | | | | |
| | Connector | RJ-45 with LED Connector x 2 for QG2, WG2 versions; RJ45 with LED Connector x 1 for QVG versions | | | | | |
| SATA | Max. Transfer Rate | 600 MB/s | | | | | |
| | Channel | 2 (Only 1 for QVG version) | | | | | |
| | Max. Transfer Rate | 300 MB/s | | | | | |
| | Channel | (5 for QVG version) | | | | | |
| I/O Interface | RAID | 0, 1, 5, 10 (Only for QG2 and WG2 version) | | | | | |
| | USB 2.0 | 9 ports on the SHB (only 6 ports on QVG version), 4 ports to the BP | | | | | |
| | Serial | 2 RS-232 with pin Headers | | | | | |
| | Parallel | 1 (EPP/ECP) | | | | | |
| | PS/2 | 1 (for mouse and keyboard, a Y cable is included in the package) | | | | | |
| Watchdog Timer | Output | System reset | | | | | |
| | Interval | Programmable, 1~255 sec/min | | | | | |
| Miscellaneous | Audio Output | Intel High Definition audio interface (requires an audio extension module, P/N: PCA-AUDIO-HDA1E) | | | | | |
| | Test Equipment | Intel® Core i7-2600 processor; DDR3 1333 2G x2 | | | | | |
| Power Requirement | Voltage | +12 V | +5 V | +3.3 V | +5 Vsb | -12 V | -5 V |
| | Current | 6.65 A | 1.62 A | 1.98 A | 0.73 A | 0.13 A | - |
| | | Operating | | | Non-Operating | | |
| Environment | Temperature | 0 ~ 60° C* (32 ~ 140° F) (operating humidity: 40° C @ 85% RH Non-Condensing) | | | -40 ~ 85° C and 60° C @ 95% RH Non-Condensing | | |
| | Dimensions | 338 x 122 mm (13.3" x 4.8") | | | | | |

* Recommend operating temperature is 50° C for better thermal reliability

Board Diagram



Ordering Information

| Model Name | Chipset | Memory | Backplane | LAN | Display | iAMT | SATAIII | SW RAID | IPMI Module | USB |
|-------------------|---------|-------------|----------------|-------|-----------|------|---------|---------|-------------|-----|
| PCE-5126QG2-00A1E | Q67 | Non-ECC | PCE-5XXX | 2 GbE | VGA+DVI** | Yes | 2 | Yes | None | 13 |
| PCE-5126QVG-00A1E | B65 | Non-ECC | PCE-5XXX | 1 GbE | VGA | None | 1 | None | None | 10 |
| PCE-5126WG2-00A1E | C206 | ECC/Non-ECC | PCE-5XXX/7XXX* | 2 GbE | VGA+DVI** | Yes | 2 | Yes | Optional | 13 |

*: WG2 version supports all Advantech PCE-5XXX/7XXX backplanes except PCE-7B10-04A1E.

** : For DVI display, optional DVI cable (1700008822) is required

Optional Accessories

| Part Number | Description |
|-----------------|--------------------------------------|
| PCA-AUDIO-HDA1E | Audio extension module |
| PCA-TPM-00A1E | TPM1.2 Module |
| 1960047831N001 | PCE-5126 Proprietary CPU Cooler (2U) |
| 1700008822 | DVI Cable |

Note: Purchasing PCE-5126's proprietary CPU cooler from Advantech is a must. Other brands' CPU coolers are NOT compatible with PCE-5126.

Packing List

| Part Number | Description | Quantity |
|-------------|-------------------------------|----------|
| 1700003194 | Serial ATA HDD data cable | x 2 |
| 1703150102 | Serial ATA HDD power cable | x 2 |
| 1701260305 | COM + printer ports cable kit | x 1 |
| 1700060202 | Keyboard and mouse Y-cable | x 1 |
| 1700008461 | 4-port USB cable kit | x 1 |
| 9689000068 | Jumper package | x 1 |
| 2190000902 | Warranty Card | x 1 |
| 2002512610 | Startup manual | x 1 |
| 2062512600 | Utility CD | x 1 |

Bracket View



PCE-5126QG2-00A1E
PCE-5126WG2-00A1E



PCE-5126QVG-00A1E