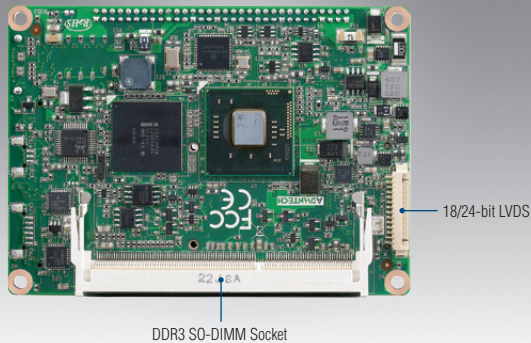


MIO-2262

Intel® Atom™ N2600/ N2800 Pico-ITX SBC, DDR3, 18/24-bit LVDS, VGA, 1 GbE, Full-size Mini PCIe, 4 USB, 2 COM, SMBus, I²C, mSATA & MIOe

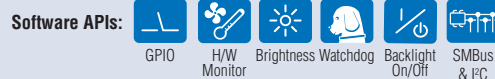
NEW



susIAccess  CE FCC

Features

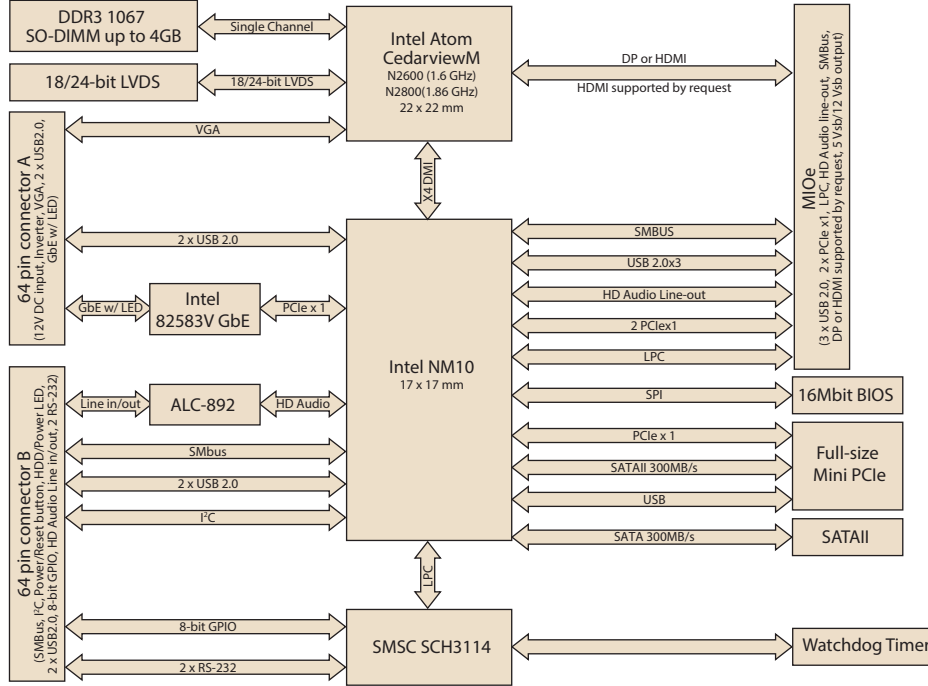
- Embedded Intel® Atom™ Dual Core processor N2600/ N2800 + Intel NM10, 1 x DDR3 memory support up to 4 GB
- DirectX® 9, Dual Independent display: 18/24-bit LVDS + VGA
- Flexible design using integrated multiple I/O: MIOe to approach vertical applications & keep domain knowhow
- Intel GbE support, Rich I/O interface with 2 COM, 1 SATA, 4 USB 2.0, GPIO, SMBus, I²C, and MIOe expansion interface
- Supports SUSIAccess and Embedded Software APIs



Specifications

Processor System	CPU	Intel Atom Dual Core N2600 1.6 GHz/ N2800 1.86 GHz
	Frequency	Dual Core 1.6 GHz/ 1.86 GHz
	L2 Cache	1 MB
	System Chipset	Intel Atom N2600/ N2800 + Intel NM10
	BIOS	AMI EFI 16 Mbit
Memory	Technology	DDR3 800 MHz (N2600), DDR3 1066 MHz (N2800)
	Max. Capacity	4 GB
	Socket	1 x 204-pin SODIMM
Display	Chipset	Intel Atom N2600/ N2800
	Graphic Engine	DirectX 9 and OpenGL3.0 support H/W Decode/Acceleration: H.264, VC1, MPEG2
	LVDS	18/24-bit LVDS1: up to 1366 x 768
	VGA	Up to 1920 x 1200
	Dual Display	VGA+LVDS
Ethernet	Speed	10/100/1000Mbps
	Controller	GbE1 Intel 82583V
Audio	Chipset	Realtek ALC892, High Definition Audio (HD), Line-in, Line out
WatchDog Timer		Output System reset, Programmable counter from 1 ~ 255 minutes/ seconds
Storage	mSATA	1 (Supports mSATA or USB interface module or full size miniPCIe, selected by BIOS, default is mSATA)
	SATA	1 x SATA II (Max. Data Transfer Rate 300 MB/s)
Expansion	Mini PCI Express	1 x Full-size Mini PCIe (Supports mSATA, selected by BIOS)
	MIOe	MIOe (3 x USB 2.0, 2 x PCIe x1, LPC, HD Audio line-out, SMBus, DP or HDMI supported by request, 5 Vsb/12 Vsb Power output)
	64pin connector A	12V DC input, Inverter, VGA, 2 x USB2.0, 1GbE w/ LED
	64pin connector B	SMBus, I ² C, Power/Reset button, HDD/Power LED, 2 x USB2.0, 8-bit GPIO, HD Audio Line in/out, 2 x RS-232
Power	Power Type	Single 12V DC power input
	Power Supply Voltage	Supports single 12V input, ± 10%
	Total peripheral power supply output	5V @ 3A for CPU board and MIOe module totally, 12V @ 2A for MIOe module
	Power Consumption (Typical)	N2600: 0.43 A @ 12 V (5.24 W) N2800: 0.51 A @ 12 V (6.12 W)
	Power Consumption (Max, test in HCT)	N2600: 0.67 A @ 12 V (8.05 W) N2800: 0.82 A @ 12 V (9.8 W)
	Power Management	APM, ACPI, wake on LAN
	Battery	3 V / 210 mAh
Environment	Operation	0 ~ 60° C (32 ~ 140° F) (Operational humidity: 40° C @ 95% RH Non-Condensing)
	Non-Operation	-40° C ~ 85° C and 60° C @ 95% RH non-condensing
Physical Characteristics	Dimensions (L x W)	100 x 72 mm (3.9" x 2.8")
	Weight	0.37 kg (0.82 lb), weight of total package
	Total Height	Top Side: 12.75 mm; Bottom Side: 9.0 mm

Block Diagram



Ordering Information

Part No.	CPU	L2 Cache	Memory	LVDS	VGA	DP/HDMI	GbE	HD Audio	USB 2.0	RS-232	SATAII	PCIe x1	Mini PCIe*	Thermal Solution	Operational Temp.
MIO-2262N-S6A1E	Intel Atom N2600 1.6GG	1MB L2	SO-SIMM	18/24-bit	Yes	Yes	1	Yes	7	2	1	2	Full-size	Passive	0 - 60° C
MIO-2262N-S8A1E	Intel Atom N2800 1.86G	1MB L2	SO-SIMM	18/24-bit	Yes	Yes	1	Yes	7	2	1	2	Full-size	Passive	0 - 60° C

* Full-size Mini PCIe supports mSATA
 Note: Passive = fanless; Active = with fan

Packing List

Part No.	Description	Quantity
	MIO-2262 SBC	
	Startup Manual	
1700006291	M Cable SATA 7P/SATA 7P 30cm C=R 180/90	1
9666226200E	Screw and stud pack (2 screw for Mini PCIe, 4 M3 studs and screws for heatsink)	1
1960055792T001	Heatsink (99.5 x 70.5 x 15.7 mm)	1

Optional Accessories

Part No.	Description
1960055791T001	MIO-2261 Heat spreader (99.5 x 70.5 x 15.7mm)
MIOE-DB2000-00A1E	MIO-2262 Evaluation Board

Embedded OS/API

Embedded OS/API	Description
2070011765	WES7E 32bits EN/DE/JP/TC
2070011766	WES7P 32bits EN/TC/SC/RU/FR/DE/ES/IT/JP/KR
WinCE 7.0	CE 7.0
Win XPE	WES 2009
Linux	Ubuntu 12.04
Software API	SUSI V3.0

Bottom side view

