

MARS-3100-BASE

Desktop Docking Base



Features

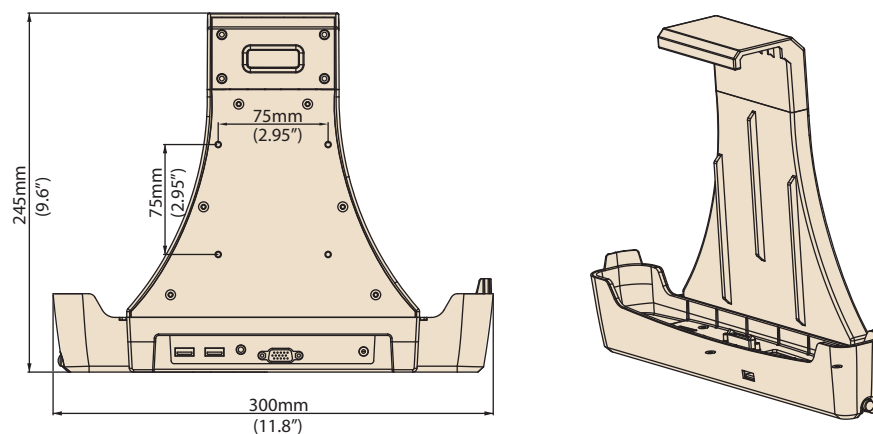
- Perfect for indoor/office usage
- Extended I/O ports: USB, VGA, and Audio out
- Mounted using any VESA compatible mounting kit
- Tightly held tablet provides stable signal during vibration/ shock
- Weighted metal base lets the tablet operate stably at any angle

Specifications

I/O Spec	USB 2.0 x 1 on the front and USB 2.0 x 2 on the back
	VGA out x 1 on the back
	Audio out x 1 on the back
	DC-in x 1 on the back
VESA mount spec	75 mm x 75 mm standard VESA mount

Dimensions (MARS-3100-CRADLE)

Unit: mm (inch)



Packing Lists (MARS-3100-BASE)

MARS-3100-CRADLE
RAM Zinc mount base
RAM Double socket arm mount with 75 mm VESA PLATE

Ordering Information

Part Number	Description
MARS-3100-BASE	MARS-3100 desktop docking base
MARS-3100-CRADLE	MARS-3100 docking cradle
MARS-3100-CHARGER	MARS-3100 3-in-1 battery charger
1990003290	MARS-3100 stylus
9680004553	MARS-3100 Digitizer stylus
9680004425	MARS-3100 standard battery pack
9689000450	MARS-3100 19V/60W AC adapter
1700001524	MARS-3100 US power cord