

IPC-7220

Desktop/Wallmount Chassis for ATX Motherboard



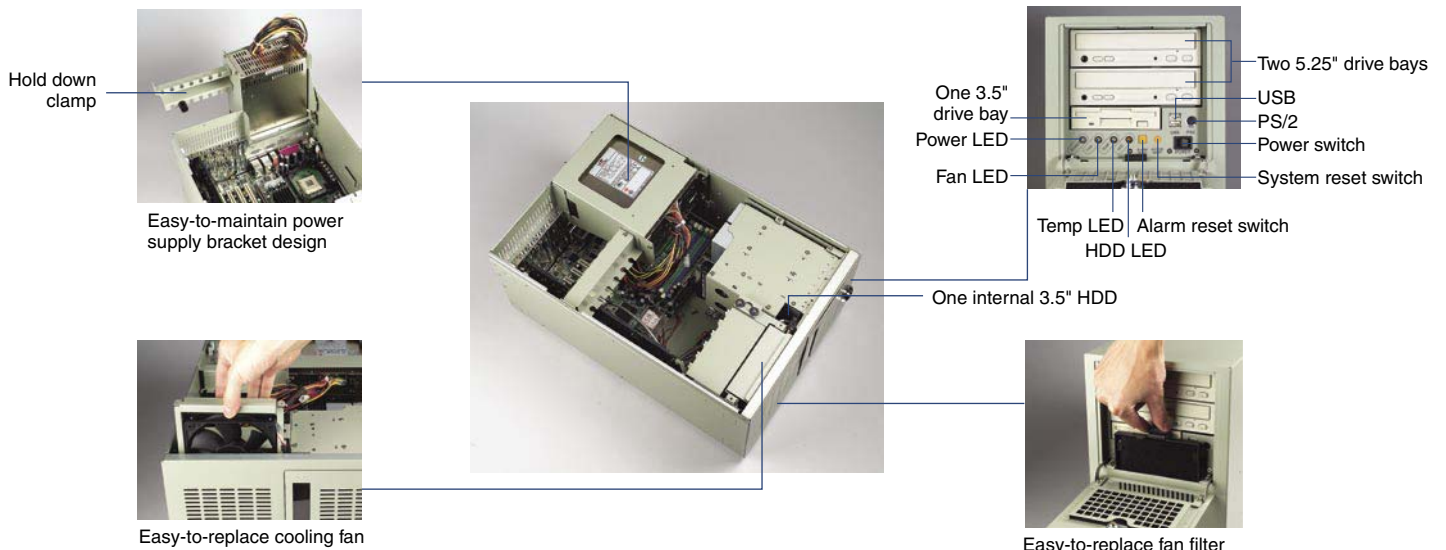
Features

- Supports two front-accessible 5.25" and two standard 3.5" drives (one external & one internal)
- Lockable front door prevents unauthorized access
- Front-accessible USB and PS/2 interfaces
- Front LED indicators for fault detection and alarm notification
- Easy-to-maintain air filters
- Shock-resistant drive bay
- Bidirectionally mountable on panels or walls with supplied bracket
- Optional redundant power supply

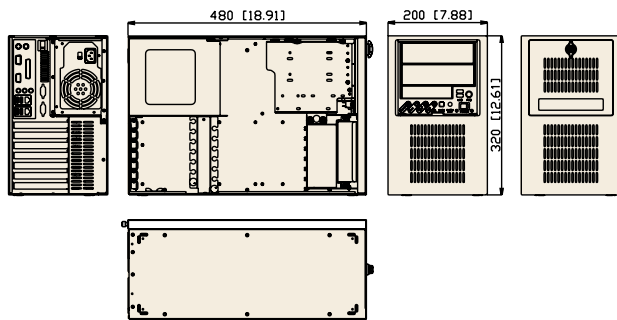


Specifications

Drive Bay		Front-accessible	Internal
	5.25"	2	-
	3.5"	1	1
Cooling	Air Filters	2 (one 7 x 12 cm and one 12 x 12 cm)	
	Fan	One (85 CFM)	
I/O Interface	USB	2 (front-accessible)	
	PS/2	PS/2 keyboard and mouse, or PS/2 keyboard depends on the enclosed motherboard	
Miscellaneous	Indicators	PWR, HDD, Temperature and Fan	
	Switches	Power, system reset and alarm reset	
	Rear Panel	Reserved two D-Sub 9-pin openings	
Environmental	Temperature	Operating 0 ~ 40° C (32 ~ 104° F)	Non-Operating -20 ~ 60° C (-4 ~ 140° F)
	Humidity	10 ~ 85 % @ 40° C, non-condensing	
	Vibration (5 ~ 500 Hz)	1 Grms	2 G
	Shock	10 G (with 11 ms duration, half sine wave)	30 G
	Acoustic Noise	Less than 52 dB sound pressure at 5 ~ 28° C (41 ~ 82° F)	
	Altitude	0 to 3,048 m (0 ~ 10,000 ft)	
Physical Characteristics	Dimensions (W x H x D)	200 x 320 x 480 mm (7.9" x 12.6" x 18.9")	
	Weight	14 kg (30.8 lb)	

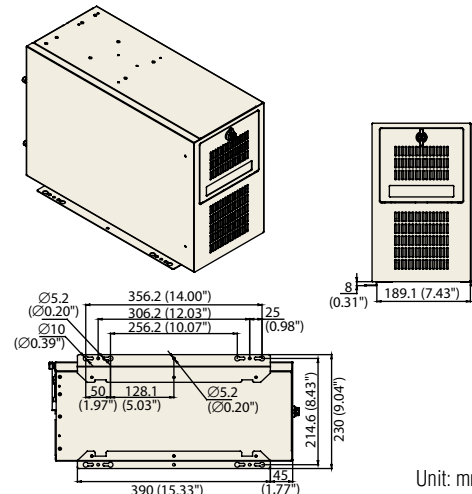


Dimensions



Unit: mm (inch)

Installation



Unit: mm (inch)

Power Supply Options

Part Number	Watt	Input	Output	Specifications		
				Mini-load	Safety	MTBF
PS-300ATX-DC48E (ATX)	300 W	DC -48 V	+5 V @ 30 A, +3.3 V @ 28 A +12 V @ 15 A, -12 V @ 0.8 A -5 V @ 0.3 A, +5 Vsb @ 2 A	+5 V @ 0.3 A, +3.3 V @ 0.3 A +12 V @ 0.2 A	UL/TUV/CB/CCC	100,000 hrs @ 25° C
PS-300ATX-ZBE (ATX, PFC)	300 W	AC 100 ~ 240 V (full-range)	+5 V @ 30 A, +3.3 V @ 28 A +12 V @ 15 A, -12 V @ 0.8 A -5 V @ 0.3 A, +5 Vsb @ 2 A	+5 V @ 0.1 A, +12 V @ 0.3 A	UL/TUV/CB/CCC	100,000 hrs @ 25° C
RPS-300ATX-ZE (ATX, PFC)	300 W	AC 100 ~ 240 V (full-range)	+5 V @ 25 A, +3.3 V @ 18 A +12 V @ 16 A, -12 V @ 0.5 A -5 V @ 0.5 A, +5 Vsb @ 2 A	+5 V @ 3 A, +3.3 V @ 1 A +12 V @ 2 A, +5 Vsb @ 0.1 A	UL/TUV/CB/CCC	100,000 hrs @ 25° C
PS-400ATX-ZBE (ATX, PFC)	400 W	AC 100 ~ 240 V (full-range)	+5 V @ 35 A, +3.3 V @ 25 A +12 V @ 30 A, -12 V @ 1.0 A -5 V @ 0.8 A, +5 Vsb @ 2 A	+5 V @ 3 A, +3.3 V @ 1 A +12 V @ 2 A, +5 Vsb @ 0.1 A	UL/TUV/CB/CCC	91,000 hrs @ 25° C
RPS-400ATX-ZE (ATX, PFC)	400 W	AC 100 ~ 240 V (full-range)	+5 V @ 35 A, +3.3 V @ 25 A +12 V @ 28 A, -12 V @ 1.2 A -5 V @ 0.5 A, +5 Vsb @ 2 A	+5 V @ 3 A, +3.3 V @ 1 A +12 V @ 2 A, +5 Vsb @ 0.1 A	UL/TUV/CB/CCC	100,000 hrs @ 25° C

Accessories

Part Number	Description
1700060202	Y-cable for PS/2 mouse and keyboard
1750000257	2U-high P4 Socket 478 CPU cooler up to 3.2 GHz (89 W)
1759208500	Fan 120 x 120 x 25.4 mm with housing
1990000486	Fan filter 133 x 112 x 5 mm
1990000488	Door filter

Ordering Information

Part Number	Power Supply	Motherboard	Regulation
IPC-7220-00XE	Without power supply, with ATX switch	-	-
IPC-7220-30ZE	PS-300ATX-ZBE	-	CE
IPC-7220-30RE	RPS-300ATX-ZE	-	CE
IPC-7220-40ZE	PS-400ATX-ZBE	-	CE

AIMB-762

LGA775 Pentium® D/Pentium 4/Celeron® D Processor-based ATX with DDR2/PCIe/Dual GbE LAN



Features

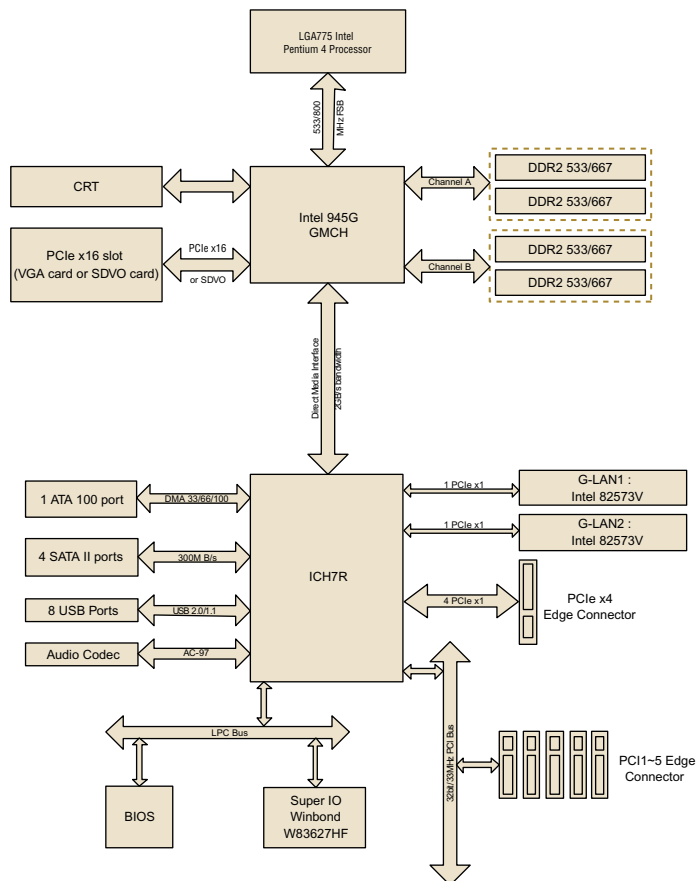
- Intel® 945G chipset 800 MHz FSB
- Dual channel DDR2 533/667 SDRAM up to 4 GB
- Chipset integrated VGA sharing 128 MB system memory
- PCIe x16 slot for VGA card
- Four SATA II ports with 300 MB transfer rate and software RAID 0, 1, 10, 5
- Supports dual 10/100/1000Base-T Ethernet via dedicated PCIe x1 bus
- Compatible with Advantech's 2U, 4U, 5U and 7U Chassis



Specifications

Processor System	CPU (65nm/ 90nm)	Intel® Pentium® D	Intel® Pentium® 4	Intel® Celeron® D
	Max. Speed	3.2 GHz (Dual-core)	3.8 GHz	3.06 GHz
	L2 Cache	1MB x 2	2 MB/1 MB	512KB/256KB
	Chipset	Intel 945G + ICH7R		
	BIOS	Award™ 8 Mbit FWH		
	Front Side Bus	533/800 MHz		
Expansion Slot	PCIe x16	4.0 GB/s per direction, 1 slot		
	PCIe x4	1.0 GB/s per direction, 1 slot		
	PCI	32-bit/33 MHz, 5 slots		
Memory	Technology	Dual channel DDR2 533/667 MHz		
	Max. Capacity	4 GB		
	Socket	240-pin DIMM x 4		
Graphic	Embedded	Chipset integrated VGA controller sharing 224 MB system memory		
	Add-on	PCIe x16 slot		
Ethernet	Interface	10/100/1000 Base-T		
	Controller	G-LAN1: Intel 82573V G-LAN2: Intel 82573V (2 PCIe x1)		
	Connector	RJ45 with LED connector x 2		
SATA II	Max. Data Transfer Rate	300 MB/s		
	Channel	4 (Supporting S/W RAID 0, 1, 10, 5)		
EIDE	Mode	ATA 100/66/33		
	Channel	1 (Max. 2 devices)		
I/O Interface	VGA	1		
	USB	Max. 8 (USB 2.0 compliant), 4 ports on board		
	Audio	2 (Line-Out and Mic-In)		
	Serial	2 (1 of RS-232/422/485 on pin header, 1 of RS-232 on rear I/O)		
	Parallel	1 (SPP/EPP/ECP)		
	FDD	1		
	PS/2	2		
Watchdog Timer	Output	System reset		
	Interval	Programmable 1 ~ 255 sec		
Power Requirement	Typical	Pentium D 3.2 GHz (800 MHz FSB), 4 x 1 GB DDR2 667 SDRAM		
		+5 V 3.10 A	+3.3 V 1.54 A	+12 V 9.90 A
Environment		Operating		Non-Operating
	Temperature	0 ~ 60° C (32 ~ 140° F), depends on CPU's speed and cooler solution.		-20 ~ 70° C (-40 ~ 158° F)
Physical Characteristics	Dimensions (W x D)	304.8 x 244 mm (12" x 9.6")		

Block Diagram



Ordering Information

Part Number	Embedded VGA	PCIe x16 for VGA	Gigabit LAN
AIMB-762VG-00A1E	Yes	Yes	Single
AIMB-762G2-00A1E	Yes	Yes	Dual

*AIMB-762 cannot be installed in the ACP-2000MB chassis

We strongly suggest to use only Advantech's certified LGA 775 CPU coolers to ensure board reliability under harsh environments

Bracket View



AIMB-762VG-00A1E



AIMB-762G2-00A1E

Packing List

Part Number	Description	Quantity
1700340640	FDD cable	x 1
1701400452	IDE HDD cable	x 1
1700003194	Serial ATA HDD data cable	x 2
1703150102	Serial ATA HDD power cable	x 2
1701090401	COM port cable kit	x 1
9689000068	Jumper pack	x 1
1962015680	I/O port bracket	x 1
-	Startup manual	x 1
-	Utility CD	x 1

Accessories

Part Number	Description
1750000334	LGA775 CPU cooler up to 3.8 GHz (115 W), 4U, 5U and 7U chassis
1750000332	LGA775 CPU cooler up to 3.8 GHz (115 W), best for 2U and wallmount chassis