

IPC-6908

8-Slot Desktop/Wallmount Chassis with Front Alarm Notification and Redundant Power Supply Option

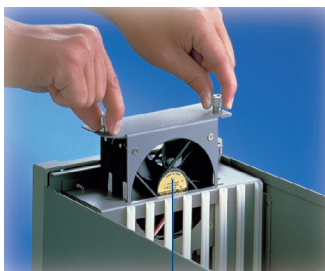


Features

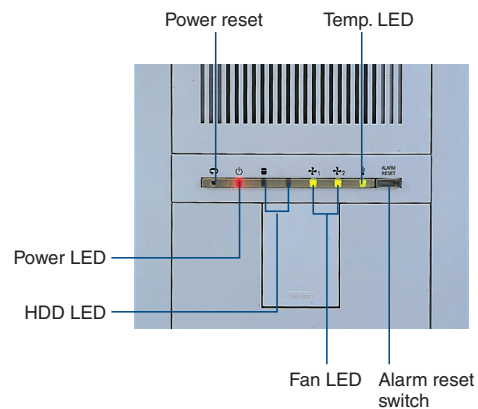
- 8-slot desktop/wallmount industrial computer chassis
- Shock-resistant drive bay with rubber cushions
- Visible LED indicators and audible alarm notification for system fault detection
- Easy-to-open top-cover, no screwdriver required
- Hot-swap dual cooling fans
- Various 8-slot backplane options
- 250 W / 300 W / 400 W ATX PS/2 and 300W ATX redundant power supply options

Specifications

Drive Bay	3.5"	Front-accessible	1	Internal
	5.25"		2	-
Cooling	Fan		2 (53 CFM each) hot-swap	
	Air Filter		Yes	
Miscellaneous	Indicators		PWR, HDD, Temperature & Fan	
	Switch		System reset & alarm reset	
Environment	Temperature	Operating	0 ~ 40° C (32 ~ 104° F)	Non-Operating
	Humidity		10 ~ 85 % @ 40° C, non-condensing	-20 ~ 60° C (-4 ~ 140° F)
	Vibration (5-500 Hz)		1 Grms	10 ~ 95 % @ 40° C, non-condensing
Physical Characteristics	Dimensions (W x H x D)		200 x 300 x 463 mm (7.9" x 11.8" x 18.2")	
	Weight		12 kg (26.4 lb)	

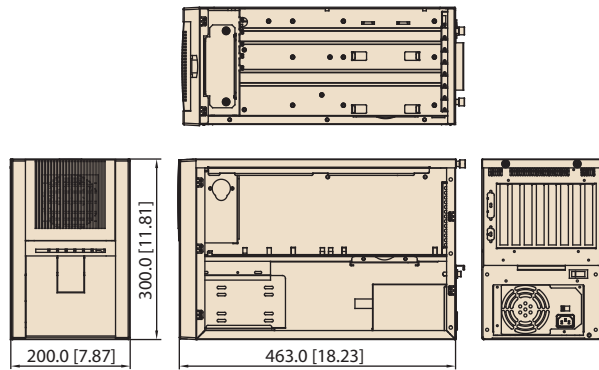


Hot-swap cooling fan module contains two 53-CFM cooling fans



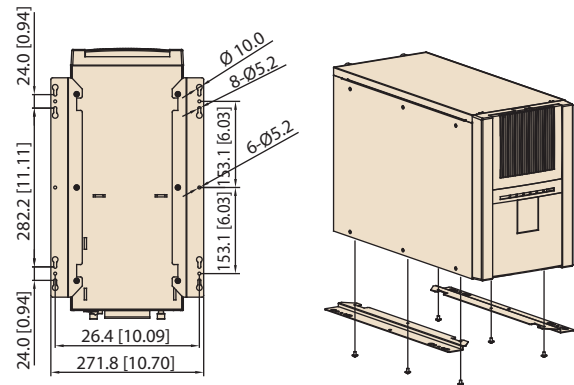
Dimensions

Unit: mm (inch)



Installation

Unit: mm (inch)



Power Supply Options

Part Number	Watt	Input	Output	Specifications			MTBF
				Mini-load	Safety		
PS-250ATX-ZE (ATX, PFC)	250 W	AC 115 / 230 V (selectable)	+5V @ 27 A, +3.3 V @ 20 A +12 V @ 13 A, -12 V @ 0.8 A -5 V @ 0.3 A, +5 Vsb @ 2 A	+5 V @ 0.5 A +12 V @ 0.3 A	UL/TUV/CB/CCC	100,000 hours @ 25° C	
PS-300ATX-ZBE (ATX, PFC)	300 W	AC 100 ~ 240 V (full-range)	+5 V @ 30 A, +3.3 V @ 28 A +12 V @ 15 A, -12 V @ 0.8 A -5 V @ 0.3 A, +5 Vsb @ 2 A	+5 V @ 0.1 A +3.3 V @ 0.3 A	UL/TUV/CB/CCC	100,000 hours @ 25° C	
PS-400ATX-ZBE (ATX, PFC)	400 W	AC 100 ~ 240 V (full-range)	+5V @ 35 A, +3.3 V @ 25 A +12 V @ 30 A, -12 V @ 1 A -5 V @ 0.8 A, +5 Vsb @ 2 A	+5 V @ 3 A +12 V @ 2 A +3.3 V @ 1 A	UL/TUV/CB/CCC	100,000 hours @ 25° C	
PS-300ATX-DC48E (ATX)	300 W	DC -48 V	+5V @ 30 A, +3.3 V @ 28 A +12 V @ 15 A, -12 V @ 0.8 A -5 V @ 0.3 A, +5 Vsb @ 2 A	+5 V @ 0.3 A +3.3 V @ 0.3 A +12 V @ 0.2 A	UL/TUV/CB/CCC	100,000 hours @ 25° C	
RPS-300ATX-ZE (ATX, PFC)	300 W	AC 100 ~ 240 V (full-range)	+5 V @ 25 A, +3.3 V @ 18 A +12 V @ 16 A, -12 V @ 0.5 A -5 V @ 0.5 A, +5 Vsb @ 2 A	+5 V @ 3 A +3.3 V @ 1 A +12 V @ 2 A	UL/TUV/CB/CCC	100,000 hours @ 25° C	

Accessories

Part Number	Description
1701400971	HDD cable, ATA 33, 62 cm + 35 cm
1701400973	HDD cable, ATA 66/100, 62 cm + 35 cm
1999908000	Fan filter 92 x 92 x 5 mm

Ordering Information

Part Number	Power Supply	Backplane	Regulation	Switch
IPC-6808BP-BE	-	-	-	AT/ATX
IPC-6908BP-30ZBE	PS-300ATX-ZBE	-	CE	ATX