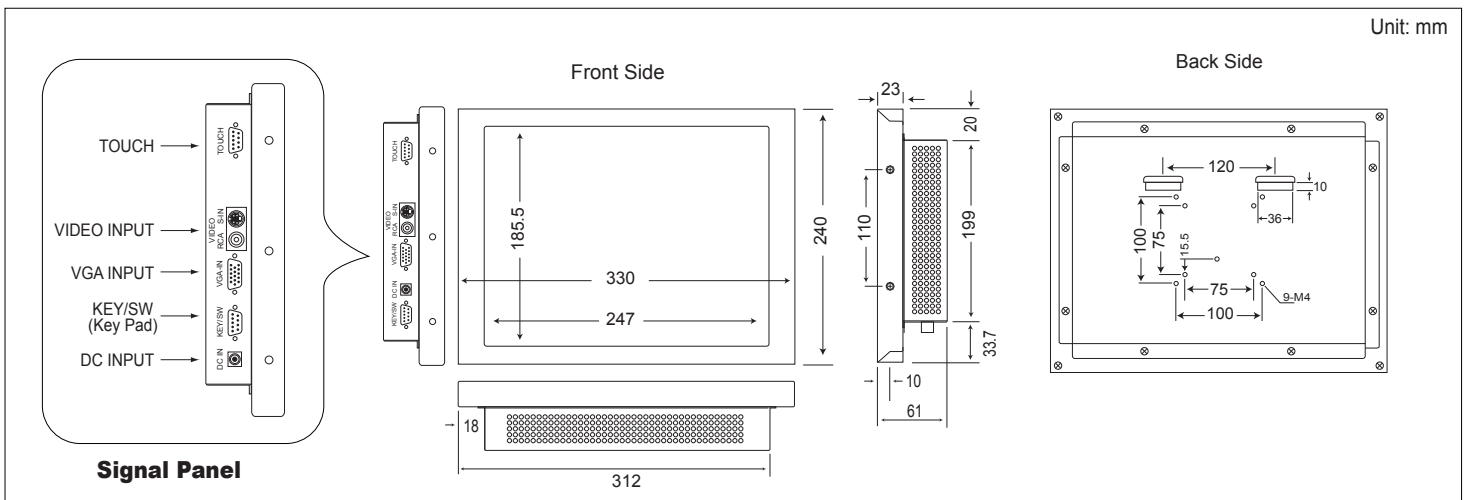
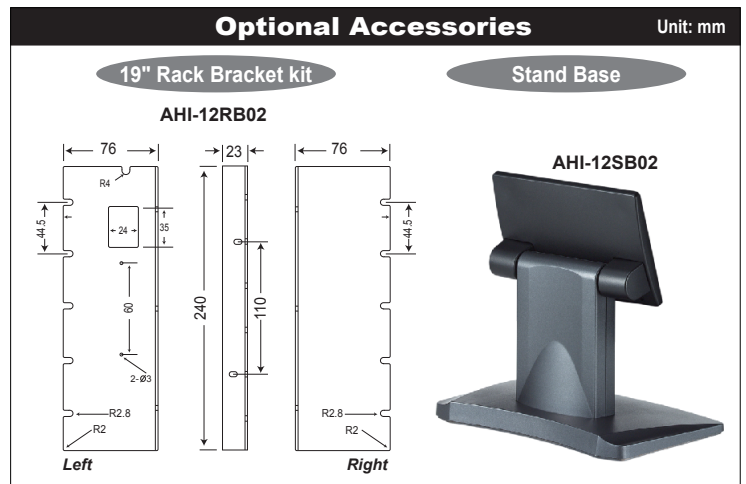
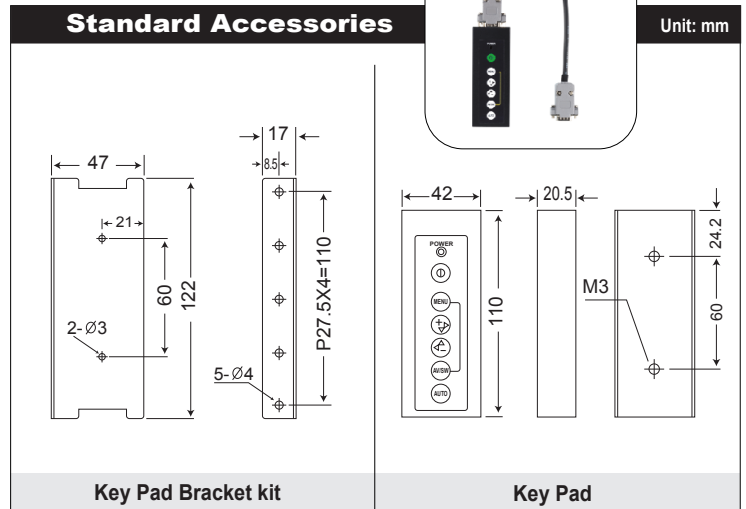




The Versatile 12.1" TFT LCD Color Monitor

MODEL NO.	HI-12W12C	HI-12Y12C
Viewing area	12.1"	
Touch Panel	NO	YES(ELO)
Pixel Pitch	0.3075 X 0.3075 mm	
Resolution	800 X 600 SVGA	
Effective display area	246.0 X 184.5mm	
Color	262,144	
Response time(tr/tf)	20/30ms	
Contrast ratio	300:1	
Brightness	320 cd/m ²	
View angle	T:20° B:40° L:50° R:50°	
Backlight	2CCFL	
Lamp Life	50000hrs	
Input Signal	Analog VGA & Video	
Input Connector	D-Sub 15Pin, RCA Jack, S-VHS Din Type	
Scan frequency	H:31.5~53KHz / V:56~75Hz	
Control	OSD	
Power adaptor input	Universal AC 100~240 V, 50/60Hz	
Adaptor output	DC 12V	
Power Management	VESA DPMS Standard	
Consumption	25W / Stand by 2.5 w	
Operating Temperature/Humidity	0 ~ 40°C / 10 ~ 85%RH	
Storage Temperature/Humidity	-20 ~ 60°C / 10 ~ 90%RH	
Sync Signal	TTL Level +/- Polarity	
Scanning	Non-Interlace	
Dimension (mm)(WxHxD)	330 x 240 x 61	
Net Weight(Kg)	3.2	3.6
Safety & EMI	CE	
Vibration	0Hz / One-way 1m/m	
Pixel (MHz)	56.25 MHz	
Content	LCD Monitor, Key Pad, Power Adaptor, VGA Cable	



Specification subject to change without notice.