

FPM-3175

Industrial 17" Flat Panel Monitor with VGA/DVI/Video/S-Video Port



Features

- 17" SXGA TFT LCD with resolution up to 1280 X 1024
- Stainless steel chassis with NEMA4/IP65-compliant aluminum front panel
- Multi-scan function supports SXGA, XGA, SVGA, VGA, text mode
- High luminance up to 250 cd/m²
- Auto-recognition of input signal
- Supports panel, wall, rack mount or VESA arm
- Multi-signal input supports VGA, DVI, Video and S-Video

Introduction

The FPM-3175 is a 17-inch color TFT LCD flat panel monitor specifically designed for industrial applications. With a viewing size as large as 17", it presents an ample display area as well as vivid and sharp images for your HMI. The FPM-3175 features Direct-VGA signal transmission, which allows a regular VGA control card to be used on your system. Users can thus upgrade the display without making changes to the existing system. Its on screen display function also allows users to adjust the images on screen with ease. The whole chassis is stainless steel and the front panel is made of aluminum with NEMA4/IP65 compliance.

Specification

- **Front Panel:** aluminum, NEMA4/IP65 compliant
- **Mounting:** panel, wWall, rack mount or VESA arm
- **Dimensions (W x H x D):** 482 x 354 x 68 mm (19" x 13.9" x 2.7")
- **Gross Weight:** 13.5 Kg (29.8 lbs)
- **I/O Port:** VGA, DVI, Video, S-Video, DC power input, power switch, and RS-232 port (Touchscreen version only)
- **Control:** OSD (on screen display) control pads on the front panel
- **Power:** external 48 W power adapter, with AC 100 V ~ 230 V input and DC +12 V@ 4 A output
- **Operating Temperature:** 0° ~ 50° C (32° ~ 122° F)
- **Storage Temp:** -20° ~ 60° C (-4° ~ 140° F)
- **Storage Humidity:** 5 ~ 95% non-condensing
- **Vibration (operating):** 5 ~ 17 Hz, double-amplitude displacement
17 ~ 500 Hz, 1.0 G peak to peak
- **CE, FCC, BSMI, CCIB compliant**

LCD Display

Display type	SXGA TFT LCD
Display size	17"
Max. colors	Full color (16.7 million)
Max. resolution	1280 X 1024
View angle	170° (H), 170° (V)
Luminance	250 cd/m ² 4 CCFL
Storage temperature	-20° ~ 60° C (-4° ~ 140° F)
Operating temperature	0° ~ 50° C (32° ~ 122° F)
Backlight lifetime	50,000 hrs
Contrast ratio	500:1 (typ.)

Touchscreen (optional)

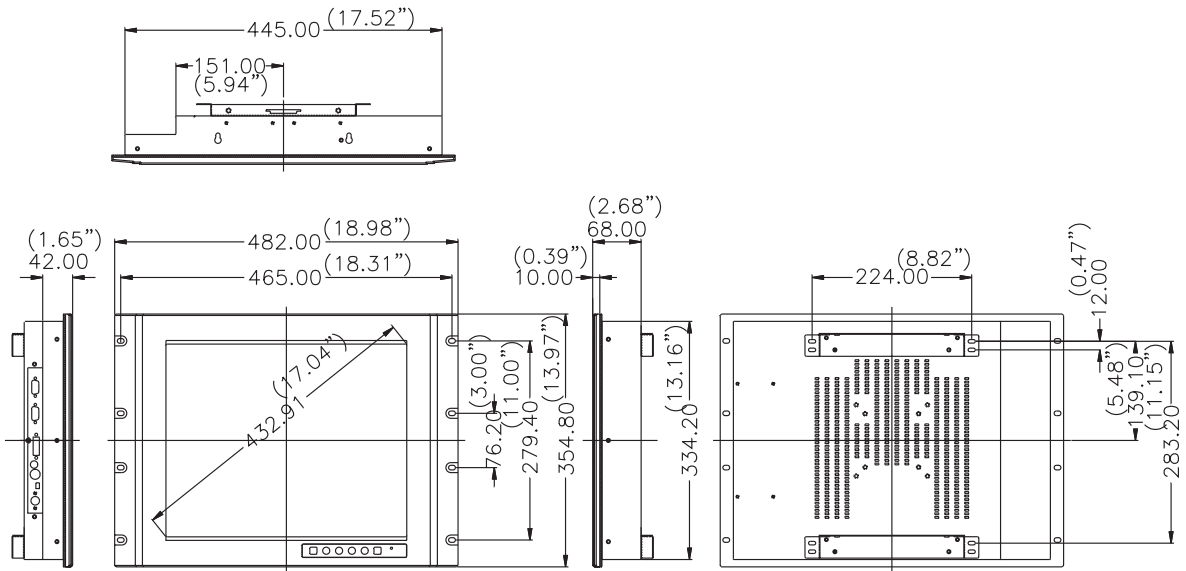
- **Type:** 8 wire, analog resistive
- **Resolution:** continuous
- **Light Transmission:** 72%
- **Controller:** RS-232 interface
- **Power Consumption:** +5 V @ 200 mA
- **OS Support:** MS-DOS, Windows 3.1/95/98/NT/2000
- **Lifespan:** 100 million touches

CE FC BSMI

Industrial 17" Flat Panel Monitor with VGA/DVI/Video/S-Video Port

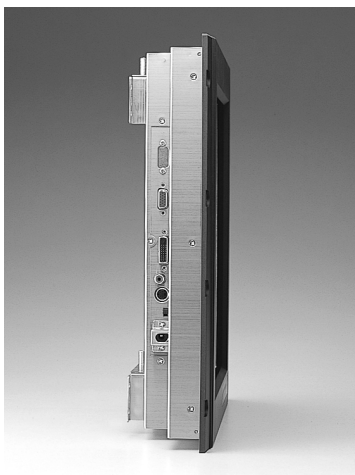
Dimensions

Unit: mm (inch)



Cut-out dimension: 451 x 340 mm (17.8" x 13.4")

Side View



Ordering Information

- FPM-3175TVR**
Industrial 17" TFT LCD display with 19" Rack-Mount Bezel, VGA/DVI/ Video interface and AC 100~230 V input 48W power adpater
- FPM-3175TVR-T**
FPM-3175TVR with analog resistive touchscreen (RS-232 interface)

Accessories

- 1700155001** 50 M VGA cable for FPM-series
- 1700153000** 30 M VGA cable for FPM-series
- 1700152000** 20 M VGA cable for FPM-series
- 1700151000** 10 M VGA cable for FPM-series
- 1700155000** 5 M VGA cable for FPM-series
- 9689000355** RS-232/485 converter for T/S (USA)
- 9689000356** RS-232/485 converter for T/S (UK)
- 9689000357** RS-232/485 converter for T/S (FR)
- 1700090000** 10 M cable for T/S
- 1700090001** 4.5 M cable for T/S
- 1700090002** 3 M cable for T/S

WebLink
WebOT 1

IPPC &
AWS 2

TPC 3

FPM 4

IPC 5

UNO-
2000 6

ICOM 7

DA&C 8

cPCI 9

ADAM-
3000 10

ADAM-
4000 11

ADAM-
5000 12

ADAM-
6000 13

ADAM-
8000 14

Industrial
Converters 15

VBOX 16

Software 17

Index