

FPM-3120G

12.1" SVGA Industrial Monitor with Resistive Touchscreen and Direct-VGA Port



Features

- 12.1" SVGA TFT LCD with resolution up to 800 x 600
- Robust design with stainless steel chassis and aluminum front panel
- Anti-reflective screen with tempered glass
- Supports stainless steel front panel (optional)
- OSD control pad on front panel
- Supports industrial 24-48 V_{DC} power input (optional)
- Supports transreflective LCD technology (optional)
- Supports Panel, Wall, Desktop, Rack or VESA arm mounting
- Front Panel NEMA4/IP65 Compliant

Introduction

FPM-3120G is 12-inch color TFT LCD flat panel monitor specially designed for industrial or public applications with limited installation space. With a new industrial design, mounting is extremely easy and fits most environments perfectly. The FPM-3120G features Direct-VGA signal transmissions to allow a regular VGA control card to be used in your system. Users can thus upgrade the display without making changes to the existing system. Its onscreen display function lets users adjust the image easily. The whole chassis is stainless steel and the front panel is made of aluminum with NEMA4/IP65 compliance.

Specifications

General

- **Button Controls** OSD (Onscreen Display) control pad on front panel
- **Certification** BSMI, CCC, CE, FCC
- **Dimension (W x H x D)** 312 x 244 x 44.6 mm (12.28" x 9.61" x 1.76")
- **Enclosure** Front panel: Aluminum with hard anodic coating, Rear cover: Stainless steel chassis
- **Mounting** Panel, VESA arm, or wall & desktop mount with optional mounting kit
- **Power Input** External 42 W power adapter, with AC 100 V ~ 240 V input and DC +12 V @ 3.5 A output
- **Video Port** VGA
- **Weight (Net)** 4.07 kg (8.975 lbs)

LCD Display

- **Display Type** SVGA TFT LCD/XGA
- **Display Size** 12.1"
- **Max. Resolution** 800 x 600/1024 x 768
- **Max. Color** 262 K
- **Viewing Angle (H/V)°** 140, 120/100, 120
- **Luminance (cd/m²)** 350
- **Backlight Life (hrs)** 50,000
- **Contrast Ratio** 200 : 1/350 : 1

Touchscreen (Optional)

- **Sensor** AMT
- **Type** 8-wire Resistive
- **Interface** RS-232
- **Lifespan** 10 million with a silicone rubber of R8 finger, writing rate is by 250g at 2 times/s
- **Light Transmission** > 80%
- **OS Support** Windows® 95/98/ME/2000/XP/CE/NT/Vista, Linux
- **Power Consumption** +5 V @ 100 mA
- **Touch Resolution** Linearity

Environment

- **Operation Temperature** 0 ~ 50° C (32 ~ 122° F)
- **Storage Temperature** -20 ~ 60° C (-4 ~ 140° F)
- **Humidity (Storage)** 10 ~ 95% non-condensing
- **Waterproof** Front Panel NEMA4/IP65 Compliant
- **Vibration** 5 ~ 500 Hz, 1 Grms (Operating, Random)

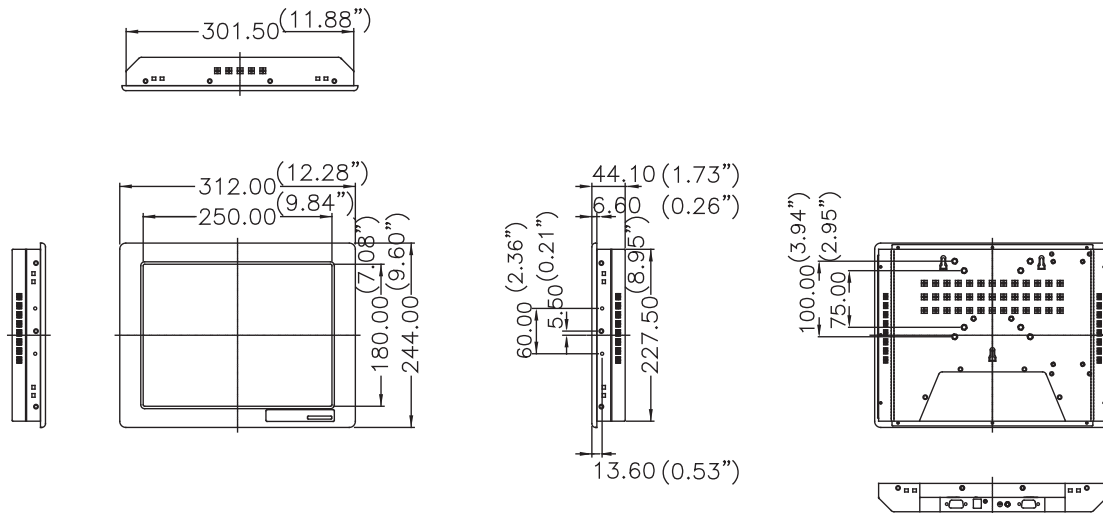
Ordering Information

- **FPM-3120G-XAE** 12.1" SVGA Industrial Monitor with Direct-VGA port
- **FPM-3120G-RAE** FPM-3120G-XAE with Resistive Touchscreen (RS-232 interface)
- **FPM-3121G-XAE** 12.1" XGA Industrial Monitor with Direct-VGA port
- **FPM-3121G-RAE** FPM-3121G-XAE with Resistive Touchscreen (RS-232 interface)

Dimensions

FPM-3120G

Unit: mm



Cut out dimension 303.50x229.50mm (11.94"x9.03")

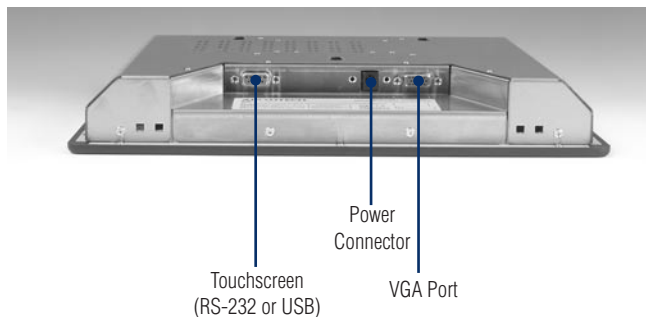
Accessories

- **FPM-2150G-SMKE** Mounting kit for desktop & wall
- **PWR-246E** Ind. DC to DC converter with 24 ~ 48 Vdc power input
- **1700001524** Power Cable US Plug 1.8 M
- **170203180A** Power Cable UK Plug 1.8 M
- **170203183C** Power Cable EU Plug 1.8 M

Mounting with DC Source



I/O View



With Desktop Stand (FPM-2150G-SMKE)

