

# DVS-350C

## Slim Embedded/Mobile Digital Video Platform with 30 GB HDD



### Features

- Up to 16 channel composite inputs that can share a total frame rate of 120/100 fps
- Anti-vibration, anti-shock design to ensure maximum reliability
- Fanless design within sealed construction
- x86 architecture for easy application development & integration
- TV-out and WLAN module support
- Wide power source (9 ~ 30 V DC)
- Supports Windows® 2000/XP with driver and SDK

### Introduction

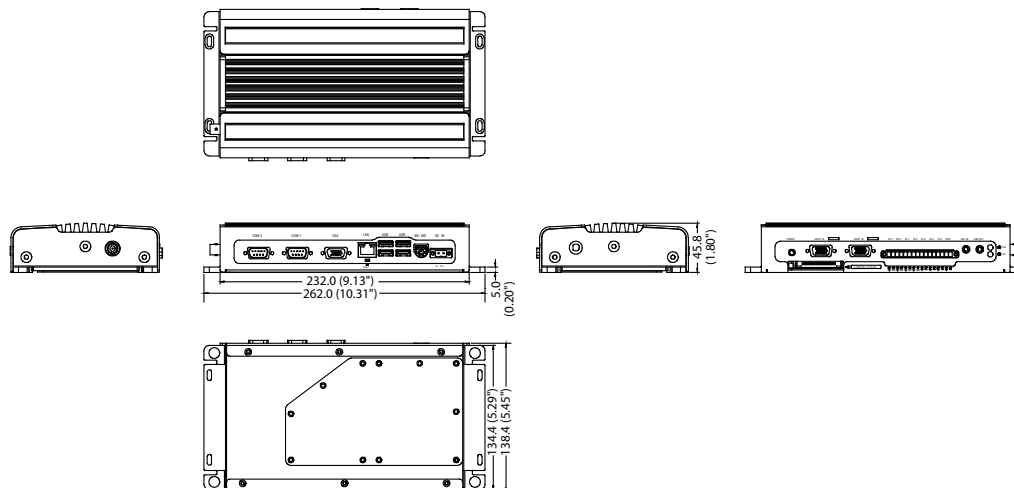
The DVS-350 series provide the digital video market with a perfect solution for applications in harsh environments. The DVS-350 series are the smallest industrial grade PC-based systems that support 4-16 camera inputs. The x86 open platform eases application software integration. They are designed for installation in any mission-critical environment with their fanless, anti-vibration and anti-shock protection. A wide power range of 9 to 30 V DC can protect these systems from power surges while used on vehicles. Among the whole series, the DVS-350C is especially designed for space-constrained environments with its 45 mm mounting height. These features combined with TV-out, WLAN, isolated DI and relay DO, make the DVS-350 series the best solutions for embedded/mobile applications.

### Specifications

	Part Number	DVS-350-18S4E	DVS-350-18M0E
Video System	Video Standard	Composite for NTSC/PAL	
	Video Input	4 ~ 16 channels share a total of 120 fps	
	Encoding	Up to 120 fps @ CIF resolution using software encoding	
	Capture Resolution	Up to D1 resolution: 720 x 480 (NTSC)/768 x 576 (Full PAL)	
	Total Capture Frame Rate (NTSC/PAL)	120/100 fps	
	Image Processing	Hardware adjustment of hue, contrast, saturation, and brightness	
Software Development Kit	Data Output Format	YUY2 planar formats supported	
	Operating System	Supports Microsoft Windows XP with SP2, Windows XP Embedded and Windows 2000 with SP4	
	DirectX Support	Version 9 or above	
	Demo Program	Complete demo program with VC++ sample code for reference	
Processor System	Program Function	Video capture, preview, DIO control, encoding and decoding	
	CPU	Intel Pentium M Processor LV 1.4 GHz	Intel® Celeron® M Processor ULV 600 MHz
	Chipset	Intel 852GME chipset / ICH4	
	L2 Cache	2 MB	512 KB
	BIOS	AWARD® 4 Mbit BIOS	
Memory	Technology	DDR 200/266/333 modules, ECC support	
	Max. Capacity	Built-in 512 MB memory. Can support up to 1 GB	
Graphic	Socket	200-pin SODIMM	
	Chipset	Chipset integrated VGA controller	
	Memory Size	Shared system memory up to 64 MB	
	Resolution	Up to 1600 x 1200 @ 85 Hz and 2048 x 536 @ 75 Hz	
Ethernet	TV-out	Composite out (BNC type)	
	Interface	10/100Base-T	
	Controller	Intel 82551QM	
	Connector	1 x RJ-45	
Storage	WLAN	802.11b/g	
	IDE-0	Internal 1.8" 30 GB HDD	
	IDE-1	Type I/II CompactFlash socket	
I/O Interface	TV-out	1 x Composite Out with BNC connector	
	VGA	1 x D-sub 15-pin	
	LAN	1 x RJ-45	
	USB	4 x USB 2.0, 480 Mbps	
	Audio	AC97: Line-out, Mic-in	
Serial	COM1: RS-232; COM2: RS-485/RS-422		

## Dimensions

Unit: mm (inch)



I/O Interface	PS/2	1 x keyboard and mouse with Y cable
	DIO	5 x Isolated DI, 2 x Relay DO, 1 x Remote SW control
	MiniPCI	1 x for integrated WLAN module
	Power Switch	External Power Switch Connector
Power Requirement	Management	APM 1.2, ACPI supported
	Power Consumption	Average 15 W
	Power Adapter	9 ~ 30 V DC, Typical 9 V DC @ 5.4 A, 19 V DC @ 2.9 A
Watchdog Timer	Output	Interrupt, system reset
	Interval	Programmable 1 ~ 255 sec.
Physical Characteristics	Construction	Aluminum housing
	Mounting	Din-Rail mounting and desk/wall mounting
	Dimensions (W x H x D)	232.0 x 45.0 x 138.4 mm (9.1" x 1.8" x 5.4")
	Weight	2.0 kg (4.4 lb)
Environment	Temperature	Operating: -10 ~ 50° C
	Temperature (with industrial grade components)	Operation: -15 ~ 55° C
	Relative Humidity	Operating: 95% @ 40° C (non-condensing)
	Vibration Resistance	Operating: 1 Grms, IEC 60068-2-64, Random, 5 ~ 500 Hz, 1 oct/min, 1 hr/axis
	Shock Resistance	Operating: 40 G, IEC 60068-2-27, half sine, 11 ms

## Ordering Information

Part Number	HDD Support	Video Inputs	CPU	Memory	L2 Cache
DVS-350-18S4E	1.8" 30 GB included	4 ~ 16 channels	Intel Pentium® M processor LV 1.4 GHz	512 MB	2 MB

\* DVS-350-18M0E; Intel Celeron M ULV 600 MHz with 512 MB L2 cache is available upon request.

## Optional Items

### Power Adapter Options

Part Number	Description
1757000222	AC-to-DC Adapter DC 19 V, 3.42 A, 65 W, with Phoenix Power Plug

### Power Cord Options

Part Number	Description
1700001947	2-pin 180 cm, USA
1700001948	2-pin 180 cm, Europe
1700001949	2-pin 180 cm, UK

### Industrial-grade CompactFlash Card Options

Part Number	Capacity	Operation Temperature
96FMCFI-512M-ET-AP	512 MB	-40° C (-40° F) ~ 85° C (185° F)
96FMCFI-1G-ET-AP	1 GB	-40° C (-40° F) ~ 85° C (185° F)

## Packing List

Part Number	Description	Qty
2013000000	2 year warranty card	X 1
2062S35000	Driver CD	X 1
1700001394	DC Jack with 2-pin pluggable terminal block	X 1
1652000209	Pluggable terminal block for DI and DO	X 1
1700060202	Y cable of KB and PS/2 Mouse	X 1
1700001618	Video Cable (D-sub 15-pin to BNC)	X 2