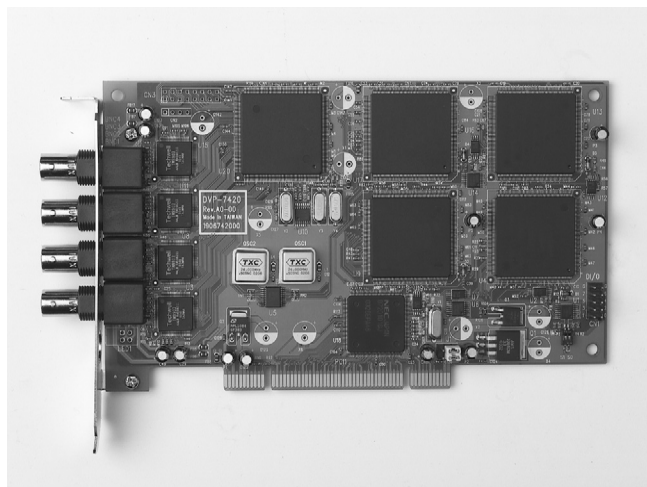


DVP-7420

4 Channel MPEG 1/2/4 Video Encoding Card with 128-byte EEPROM, GPIO and PCI Interface



Features

- Supports 4 channels of MPEG-1/2/4 real-time video encoding up to D1 resolution and 30/25fps frame rate
- NTSC/PAL Composite video input through BNC connectors
- Hardware video encoding engine onboard
- Built-in 128-byte user programmable EEPROM
- Up to 4 cards installed into one PC system, setting by on-board DIP switch
- 4 bit DI and 4 bit DO
- PCI v2.2 compliant
- Supporting MS-Windows 2000/XP with drivers and SDK

Introduction

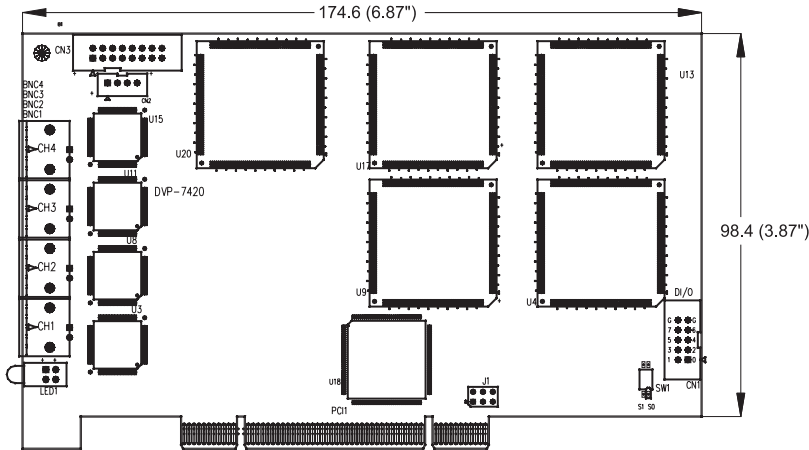
DVP-7420 is a high-end, hardware encoding PCI-bus based MPEG4 video capture card with onboard MPEG1/2/4 video encoder chip that supports up to D1 resolution and 30/25fps performance. The DVP-7420 has 4 NTSC/PAL video inputs and allows up to 4 cards to be connected in one PC system through a DIP switch setting, it also displays the card ID on LED indicators.

The hardware MPEG 1/2/4 video encoding engine can reduce the main CPU's load and the programmer's coding time. The dynamically adjustable bit and frame rate can accommodate variable bandwidths, thereby optimizing the quality and bandwidth for better results. Through the onboard 128 Byte EEPROM space, the programmer can place the protection code or system parameters via our complete SDK, which comes with sample source code for programming reference.

Specifications

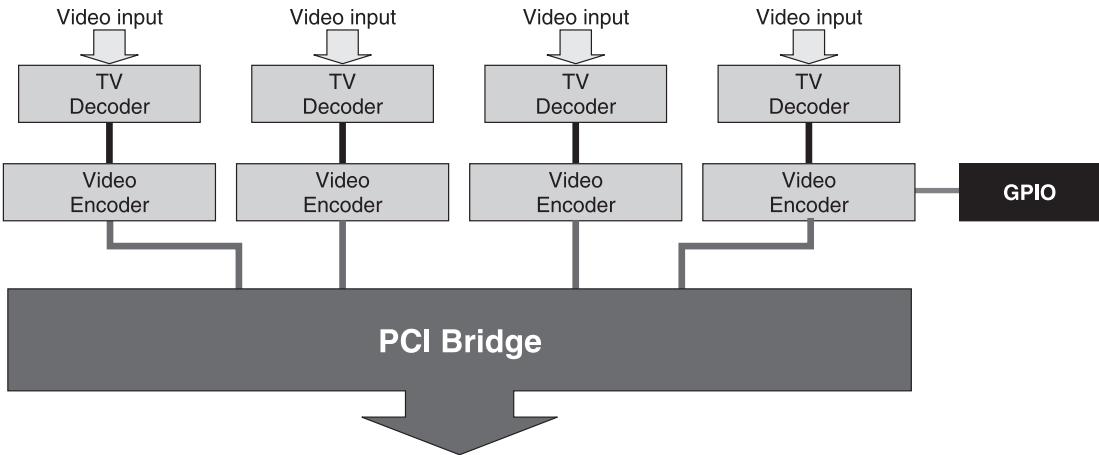
Video	Input Connectors	4 BNC connectors
	Video Standard	Composite for NTSC / PAL
	Resolution	Full D1 / VGA / QVGA from 64 x 64 to 720 x 576 (16-pixel increments)
	Frame Rate	30 fps (NTSC) / 25 fps (PAL)
	Video Encoding	MPEG1, MPEG2, MPEG4, H.263
	Image Processing	Hardware control of brightness, contrast, hue and saturation
	Compression	Programmable GOP structures of I, IP, IBP, IBBP, etc. Advanced MPEG-4 bit-rate control (CBR/VBR) from 1 Kbps to 40 Mbps Dynamically adjustable bit rate and frame rate
Host Communication	Data Output Format	MPEG-4 Simple Profile @ L3 plus B-Picture support (Supporting Microsoft/DivX/SigmaDesign format) MPEG-2 MP @ ML MPEG-1 H.263
	Host Interface	PCI v2.2
	Max. Card	Up to 4 cards in one PC system, setting by DIP switch with LED indicators on bracket
	Driver and SDK	Supporting Microsoft Windows 2000/XP
Hardware	Demo Program	Complete demo program with C source code for reference
	GPIO	TTL/CMOS level 4-bit DI and 4-bit DO
	EEPROM	128 Bytes EEPROM with SDK for programming
	Dimensions (W x L)	174.6 x 98.4 mm (6.87" x 3.87")
	Power Consumption	+ 5/3.3 V DC input by PCI bus, max. 2000 mA
Temperature	0 ~ 60 °C (32 ~ 140 °F; Operating) -20 ~ 70 °C (-4 ~ 158 °F; Non-Operating)	

Dimension Diagram



Unit: mm (inch)

Block Diagram



Ordering Information

Part Number	Description
DVP-7420	4 channel MPEG1/2/4 video encoding PCI card

Packing List

- DVP-7420 PCI card X 1
- Startup manual X 1
- Utility CD X 1