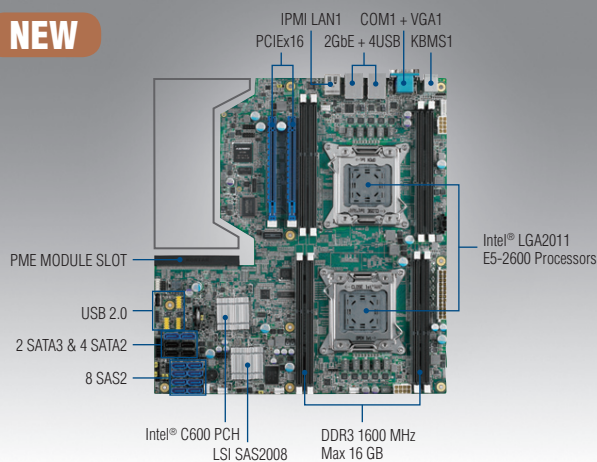


# ASMB-920IR

## Dual LGA 2011 Intel® Xeon® E5 EATX Server Board with DDR3, 2 PCIe x16 (Gen 3.0), PME Expansion Module, SAS RAID

**NEW**



### Features

- EATX Server Board with dual Xeon® E5 processor, PME flexible expansion and 128GB memory capacity
- Dual LGA 2011 Intel® Xeon® E5 2600 processors
- DDR3 1333MHz RDIMM up to 128GB
- Two Gen 3.0 PCIe x16 slots and PME expansion by PCIe x16 connector
- 8 SAS ports, 6 SATA ports, totally 14 storage ports
- 0~40° C ambient operation temperature range

Note: ASMB-920 must be with 2 CPUs to enable PME function, ASMB-920 with 1 CPU can not enable PME.

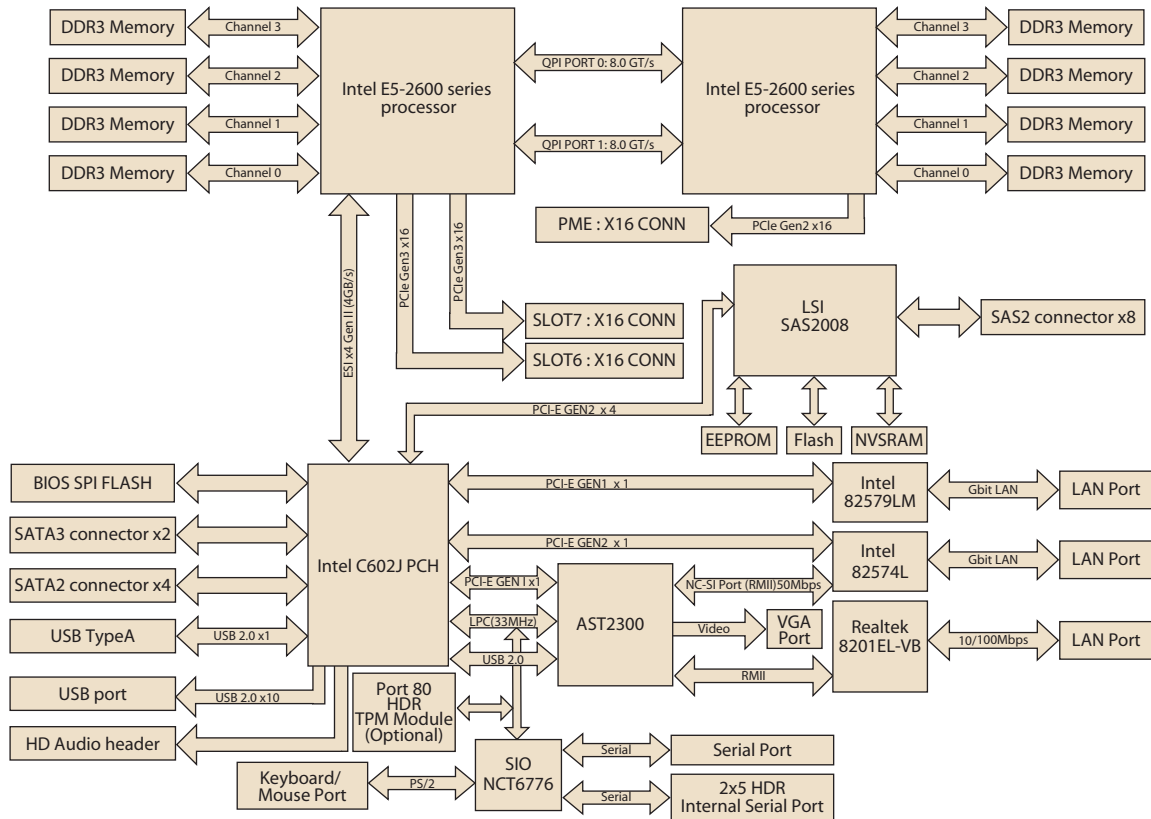
**Software APIs:** SMBus H/W Monitor Watchdog

**Utilities:** Monitoring

### Specifications

Form Factor	Extended ATX form factor					
Processor System	Socket	Intel LGA 2011				
	CPU type	Intel Xeon E5-2600 dual processor (CPU cooler should be purchased separately.)				
Core Logic	Chipset	Intel C602J chipset				
	Total slots	8 (Quad Channel)				
Memory	Capacity	Maximum 128 GB ECC RDIMM				
	Memory type	DDR3 ECC-REG/ECC/Non-ECC 1600/1333/1066 MHz DIMM				
	Memory size	1 GB, 2 GB, 4 GB, 8 GB, 16 GB				
Expansion Slots	Total PCI/PCI-X/PCIe slots	5				
	Slot location 1	Fit to PME daughter board				
	Slot location 2	Fit to PME daughter board				
	Slot location 3	Fit to PME daughter board				
	Slot location 4	-				
	Slot location 5	-				
	Slot location 6	1 x PCIe x16				
Slot location 7	1 x PCIe x16					
Graphics	VGA	Aspeed AST2300 64 MB				
Storage	IDE controller	-				
	SATA controller	Intel C602J: 4 SATA2 3 Gb/s ports, 2 SATA3 6Gb/s Intel Matrix Storage (for Windows only) (Supports software RAID 0, 1, 10 & 5)				
	SAS controller	LSI SAS2008 Controller				
Networking	GbE LAN	1 x Intel 82579LM + 1 x Intel 82574L				
Onboard I/O Connectors	Floppy connector	-				
	PSU connector	24-pin SSI power connector + 8-pin SSI 12 V power connector + 8-pin SSI 12 V power connector				
	USB connector	3 (supports 6 USB port), 1* Type-A				
	Fan header	5 x 4pin				
	SMBus	1				
	Chassis intruder	1				
	Front LAN LED	2				
	Audio Header	1				
	Serial port header	1				
	External serial port	1				
Rear I/O Connectors	External USB port	4				
	VGA port	1				
	RJ-45	3 (1 port dedicated for IPMI function)				
	PS/2 KB/mouse	1				
Management Solution	Infiniband	-				
	Software	-				
Monitoring	Out of band remote management	Yes				
	CPU temperature	Yes				
Watchdog Timer	System Monitoring	Yes				
	Output	System reset				
Power Requirement	Interval	Programmable 1 ~ 255 sec/min				
	Power On	3.3V	5V	12V	5Vsb	-12V
		13.69A	8.77A	55.48A	2A	0.5A
Environment	Operating	Non-operating				
	Temperature	0 ~ 40° C, depends on CPU speed and cooler solution		-40 ~ 85° C		
	Humidity	0% ~ 90%		5% ~ 95% (Non condensing)		
Physical Characteristics	Dimensions	304.8 x 330.2 mm (12" x 13")				

## Block Diagram



## Ordering Information

Part Number	Chipset	Memory	GbE LAN	IPMI	SAS
ASMB-920-00A1E	C602J	DDR3 ECC/Un-ECC	2	-	-
ASMB-920IR-00A1E	C602J	DDR3 ECC/Un-ECC	2	Yes	Yes

## Packing List

Part Number	Description	Quantity
2062920100	Driver CD	x 1
2002920110	Startup manual	x 1
1700003194	SATA data cables	x 2
1703150102	SATA power cables	x 2
1960052312T000	I/O shield	x 1

## Bracket View



ASMB-920IR-00A1E



ASMB-920-00A1E

## Optional Accessories

Part Number	Description
ASMB-FF3PX-12A1E	PME card with 2 PCI-X and 1 PCI slots
ASMB-FF20F-02A1E	PME card with 2 PCIe x16 slots
ASMB-FF208-02A1E	PME card with 2 PCIe x 8 slots
PCA-AUDIO-HDA1E	HD Audio-card
PCA-TPM-00A1E	TPM Module
1960055362N001	LGA2011 CPU cooler
1700002204	Dual port USB cable (27 cm) with bracket
1700008461	Four port USB cable (30.5 cm) with bracket
1701090401	COM port cable with bracket

Note: ASMB-920 must be with 2 CPUs to enable PME function, ASMB-920 with 1 CPU can not enable PME.