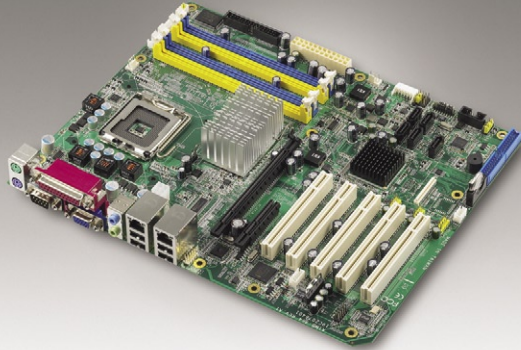


AIMB-764

**LGA 775 Core® 2 Duo ATX Motherboard with
DDRII/ Dual GbE LAN (533/800/1066 MHz FSB)**

Preliminary



Features

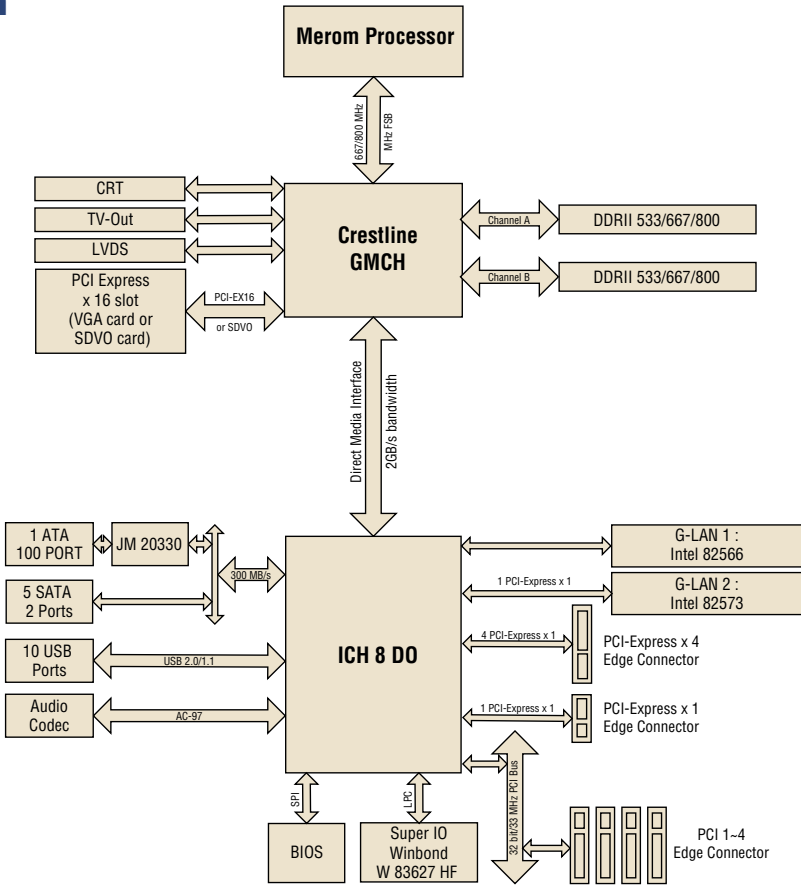
- Intel® Q965 chipset 1066 MHz FSB
- Dual Channel DDRII 533/667/800 SDRAM up to 8GB
- Chipset integrated VGA sharing 256 MB system memory
- 1 PCI-Express x16 slot for graphic card
- 1 PCI-Express x4 slot
- Support up to two GbE LANs via PCI-Express x 1 Lanes
- Five SATAII ports with 300MB transfer rate and software RAID 0, 1, 10, 5
- Compatible with Advantech's 1U, 2U, 4U, 5U and 7U Chassis



Specifications

| | | | | | |
|-------------------|-------------------------|---|----------------------------|---------------|--|
| Processor System | CPU | Intel® Core® 2 Duo | Pentium® 4 | Celeron® D | |
| | Max. Speed | 3.66 GHz | 3.8 GHz | 3.06 GHz | |
| | L2 Cache | 4 MB/2 MB | 2 MB/1 MB | 512 KB/256 KB | |
| | Chipset | Intel® Q965+ICH8DO | | | |
| | BIOS | Award 16Mb FWH | | | |
| | Front Side Bus | 533/800/1066 MHz | | | |
| Expansion Slot | PCI-E x 16 | 4.0 GB/s per direction, 1 slot | | | |
| | PCI-E x 4 | 1.0 GB/s per direction, 1 slot | | | |
| | PCI | 32-bit/33MHz, 5 slots | | | |
| Memory | Technology | Dual channel DDRII 533/667/800 MHz | | | |
| | Max. Capacity | 8 GB | | | |
| | Socket | 240-pin DIMM x 4 | | | |
| Graphic | Embedded | Chipset integrated VGA controller sharing 256 MB system memory | | | |
| | Add-on | PCI-Express x16 slot | | | |
| Ethernet | Interface | 10/100/1000 Base-T | | | |
| | Controller | G-LAN1: Intel 82566 PHYG-LAN2: Intel 82573 (Occupying 1 PCI-E x 1 Lane) | | | |
| | Connector | RJ45 with LED connector x 2 | | | |
| SATAII | Max. Data Transfer Rate | 300 MB/s | | | |
| | Channel | 5 (Supporting RAID 0, 1 or 10, 5) | | | |
| EIDE | Mode | DMA 33/66/100 | | | |
| | Channel | 1 (Only in master mode, only ONE IDE device supported) | | | |
| I/O Interface | VGA | 1 | | | |
| | USB | Max. 10 (USB 2.0 compliant), 4 ports on board | | | |
| | Audio | Line In, Line Out | | | |
| | Serial | 2 (COM1 of RS-232/422/485, COM2 of RS-232 muxed with IPMI) | | | |
| | Parallel | 1 (SPP/EPP/ECP) | | | |
| | FDD | 1 | | | |
| | PS/2 | 2 | | | |
| Watchdog Timer | Output | Interrupt, system reset | | | |
| | Interval | Programmable 1, ..., 255 sec | | | |
| Power Requirement | Typical | Pentium 4 (TBD) | | | |
| | | +3.3 V +5 V -5 V +12 V -12 V +5 Vsb | | | |
| Environment | | Operating | Non-Operating | | |
| | Temperature | 0 ~ 60° C (32 ~ 140° F), depends on CPU's speed | -20 ~ 70° C (-40 ~ 158° F) | | |
| Physical | Dimensions | 304.8 x 244 mm (12" x 9.6") | | | |

Block Diagram



| Part Number | Embedded VGA | PCI-E x16 for VGA | Gigabit LAN |
|------------------|--------------|-------------------|-------------|
| AIMB-764VG-00A1E | V | V | Single |
| AIMB-764G2-00A1E | V | V | Dual |