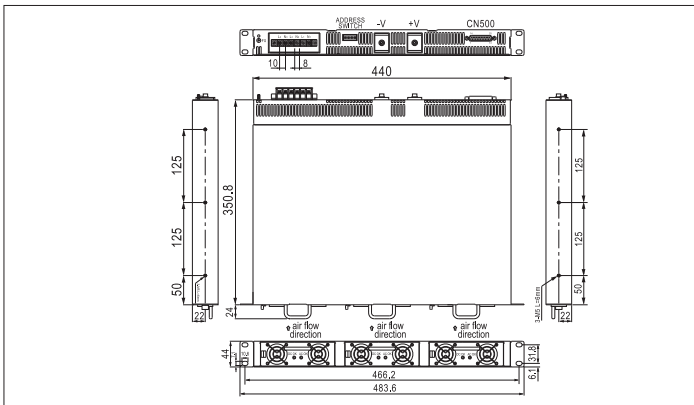
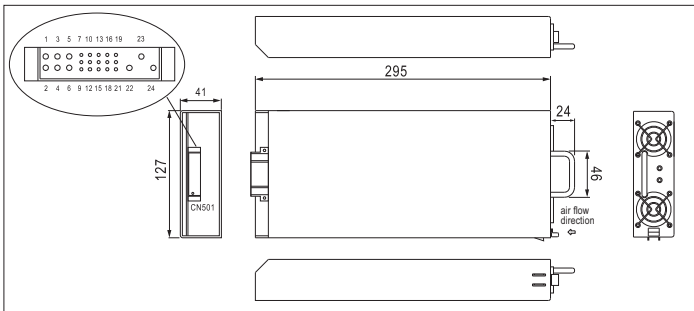


### 1000W 1U Rack Power System

- Universal AC input / Full range
- Built-in 5V/0.3A standby power
- Built-in active PFC function, PF>0.96
- Protections: Short circuit / Overload / Over voltage / Over temp.
- Forced air cooling by built-in DC fan
- High power density 10.7W/in<sup>3</sup>
- 1U low profile
- Output voltage can be trimmed between 90 ~ 110% of the rated output voltage
- Active current sharing up to 3000W (3 units) in one 19" rack, 3 racks max. can be operated in parallel (up to 8 units)
- Remote control for single unit
- Built-in remote sense function
- Hot-swap operation
- Internal oring diode
- AC OK and DC OK signal output
- Optional I<sup>2</sup>C serial data bus
- 3 years warranty



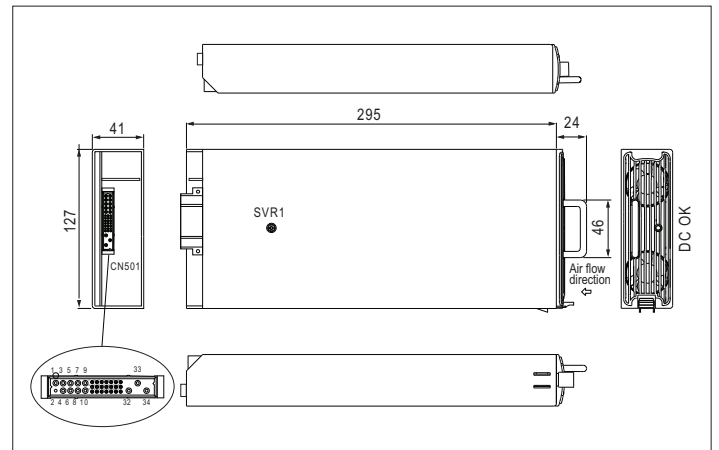
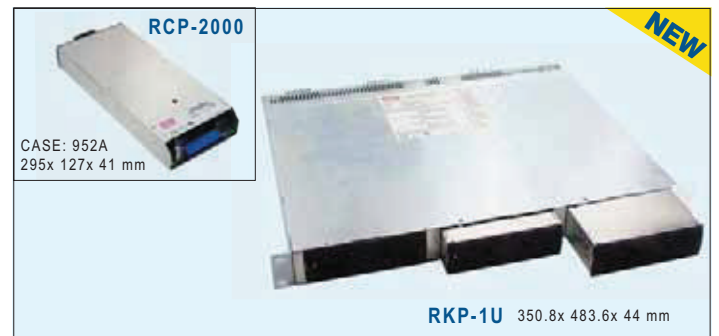
- AC input voltage range ..... 90~264VAC
- DC adjustment range ..... ±3% rated output voltage
- Overload protection ..... 105%~125% constant current limiting, auto-recovery
- Over voltage protection ..... 110%~135% rated output voltage
- Setup, rise, hold up time ..... 1000ms, 60ms, 16ms at full load and 230VAC
- Withstand voltage ..... I/P-O/P:3kVAC, I/P-FG:1.5kVAC, 1 minute
- Working temperature ..... -20~50°C@100%, 60°C@60%
- Safety standards ..... UL60950-1, TUV EN60950-1 approved
- EMC standards ..... EN55022 Class B, EN61204-3, EN61000-3-2,-3, EN61000-4-2,3,4,5,6,8,11, ENV50204, EN61000-6-2 heavy industry level
- Packing ..... 1.91kg (single unit) ; 11kg (rack with 3 units)

Model No.	Output	Tol.	R&N	Effi.
RCP-1000-12	12V, 0~60A	±1%	150mV	81%
RCP-1000-24	24V, 0~40A	±1%	200mV	87%
RCP-1000-48	48V, 0~21A	±1%	300mV	89%

RCP-1U □ 19" 1U rack for RCP-1000 series  
□= I: AC inlet ; T: terminal block

### 2000W 1U Rack Power System

- Universal AC input / Full range
- Withstand 300VAC surge for 5 seconds
- Built-in 5V/0.3A, 12V/0.8A auxiliary power
- Built-in active PFC function, PF>0.98
- Protections: Short circuit / Overload / Input under voltage / Over voltage / Over temperature
- Forced air cooling by built-in DC fan
- High power density 21.4W/in<sup>3</sup>
- 1U low profile
- Active current sharing up to 6000W (3 units) in one 19" rack, 3 racks max. can be operated in parallel (up to 9 units)
- Remote control for single unit
- Built-in remote sense function
- Hot-swap operation
- PMBus serial communication
- AC OK and DC OK signal, fan fail, OTP alarm signal
- 3 years warranty



- AC input voltage range ..... 90~264VAC
- DC adjustment range ..... -12%~+15% rated output voltage
- Overload protection ..... 105%~125% constant current limiting, auto-recovery
- Over voltage protection ..... 120%~140% rated output voltage
- Setup, rise, hold up time ..... 1500ms, 60ms, 16ms at full load and 230VAC
- Withstand voltage ..... I/P-O/P:3kVAC, I/P-FG:1.5kVAC, 1 minute
- Working temperature ..... -25~+70°C (refer to output derating curve)
- Safety standards ..... UL60950-1, TUV EN60950-1 approved
- EMC standards ..... EN55022 Class B, EN61000-3-2,-3, EN61000-4-2,3,4,5,6,8,11, ENV50204, EN61000-6-2 heavy industry level

Model No.	Output	Tol.	R&N	Effi.
RCP-2000-12	12V, 0~100A	±1%	150mV	86.0%
RCP-2000-24	24V, 0~80A	±1%	200mV	90.5%
RCP-2000-48	48V, 0~42A	±1%	300mV	92.0%

RKP-1U □ 19" 1U rack for RCP-2000 Series;  
□=I: AC inlet; T: terminal block