



WBK61™ & WBK62™

High-Voltage Adapters with Probes



Compatibility: ✓ WaveBook ✓ WBK10A

Features

- Provide up to 1000V (WBK61) or 100V (WBK62™) inputs for the WaveBook™ and WBK10A™
- Ideal for 3-phase voltage measurements
- Includes leads and probes
- Accept differential inputs

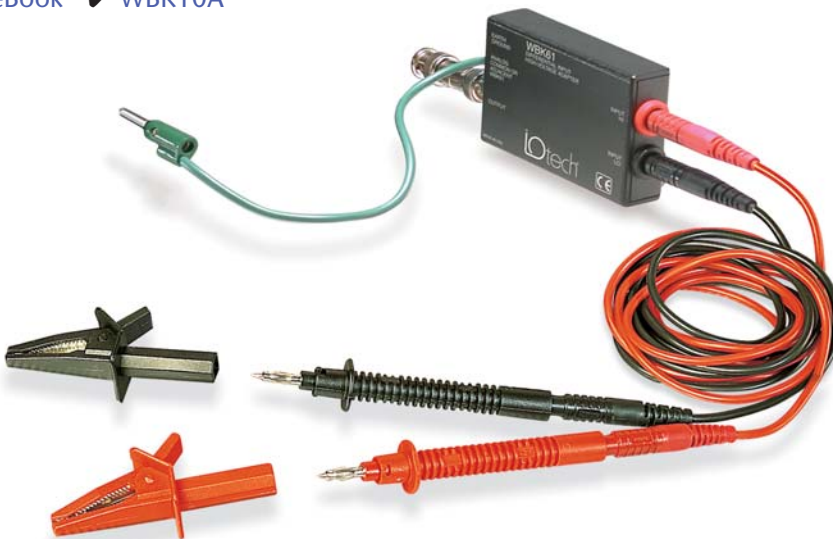
The WBK61™ and the WBK62™ are single-channel high-voltage adapters that connect to one of the WaveBook's or WBK10A's BNC inputs. Each features two safety-style banana-jack inputs for signal "Lo" and signal "Hi" (rated at 1000V, CAT II per IEC 1010-2-031).

Each adapter is resistively isolated from ground allowing safe connection of a device under test. In the WBK61, both Lo and Hi inputs are equipped with 10M Ohm series resistors, which act as 200:1 attenuators and provide current limiting (100 μA, maximum current at 1000V). The WBK62 has a 1M Ohm series resistor on both Lo and Hi inputs, which acts as a 20:1 attenuator and provides current limiting (100 μA, maximum current at 100V).

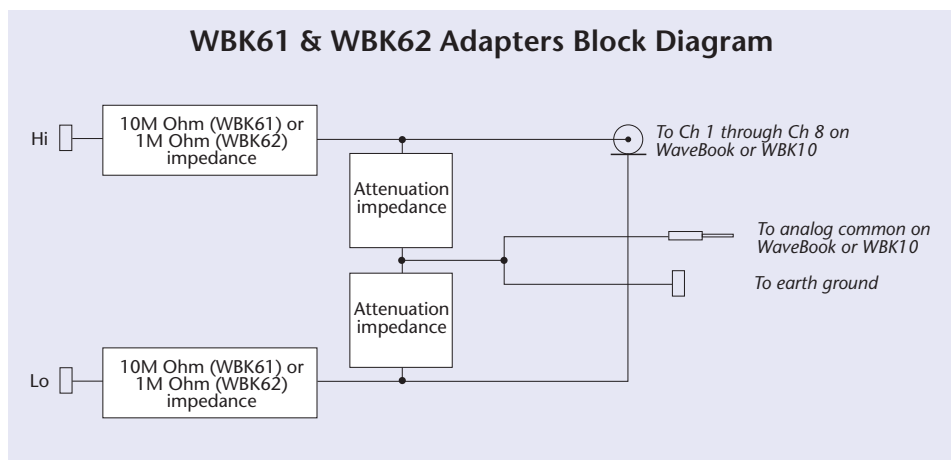
Each adapter also features a banana-jack input for connecting the WaveBook or WBK10A to earth ground.

The product includes 60" (152.4 cm) cables with probe tips and alligator clips for easy input connection.

For applications that require current measurement, IOtech also offers current probes that connect directly to the WaveBook or WBK10A. These probes feature ranges from 1 mA to 2000A.



The WBK61 and the WBK62 high-voltage adapters connect to the WaveBook's or WBK10A's BNC inputs



The WBK61 and WBK62 attach directly to either the WaveBook or the WBK10A



WBK61™ & WBK62™

Specifications & Ordering Information

Effective Ranges of WBK61		
Range	WaveBook	WBK10A
Bipolar	±2000V, ±1000V, ±400V, ±200V, ±100V*, ±40V*, ±20V*	±2000V, ±1000V, ±400V, ±200V, ±100V*, ±40V*, ±20V*, ±10V*
Unipolar	Not available	0 to 2000V, 0 to 1000V, 0 to 400V, 0 to 200V, 0 to 100V*, 0 to 40V*, 0 to 20V*
Effective Ranges of WBK62		
Bipolar	±200V, ±100V, ±40V, ±20V, ±10V*, ±4V*, ±2V*	±200V, ±100V, ±40V, ±20V, ±10V*, ±4V*, ±2V*, ±1V*
Unipolar	Not available	0 to 200V, 0 to 100V, 0 to 40V, 0 to 20V, 0 to 10V*, 0 to 4V*, 0 to 2V*

* Available through the WBK11A, WBK12A, or WBK13A options

Note: Ranges are half those stated when used with a non-"A" version parallel port WaveBook.

Specifications:

Input Connector: 4 mm banana safety socket
Channels: 1
Output Connector: BNC female (mating adapter to WaveBook included)
Voltage Divider:
 WBK61: 200:1 fixed
 WBK62: 20:1 fixed
Maximum Voltage:**
 WBK61: 2000 Vp to ground
 WBK62: 200 Vp to ground
Maximum Voltage without Damage:
 WBK61: 1500 Vp to ground
 WBK62: 500 Vp to ground
Frequency Characteristics
 Approximates a single-pole frequency response
Min: -3 dBV
Bandwidth: 500 kHz
Cables: 60" leads with detachable probe tips and alligator clips
Dimensions: 83 mm W x 61 mm D x 28 mm H (3.25" x 2.375" x 1.1")

Ordering Information

Description	Part No.
High-voltage (1000V) adapter with probes for the WaveBook or WBK10A	WBK61
High-voltage (100V) adapter with probes for the WaveBook or WBK10A	WBK62

For complete information on accessories and cables, visit www.iotech.com/acc

Related Products

WaveBook Series
 WBK10A
 Current Probes

** On either input referenced to earth ground