



DBK8™

8-Channel High-Voltage Input Card



Compatibility: ✓ LogBook ✓ DaqBook ✓ DaqLab ✓ DaqScan ✓ DaqBoard/2000 Series

Features

- Provides eight high-voltage input channels
- Per-channel selection of three voltage ranges via jumper
- Provides 10M Ohm input impedance for minimum loading errors
- Buffered inputs on each channel for high-speed scanning

The DBK8™ provides eight high-impedance, high-voltage input channels for IOtech's data acquisition systems. The DBK8 accommodates 10, 50, or 100 VFS bipolar inputs that you can set on a per-channel basis via jumpers on the card.

The DBK8's 10M Ohm input impedance presents minimal loading of high impedance circuits and transducers (e.g., string pots), which ensures accurate readings over a wide range of source impedance, and high impedance transducers, such as string pots.

Each of the DBK8's inputs provides an individual buffer amplifier that allows the combination of high-speed (10 μs/reading) and high-input impedances.

As many as 32 DBK8 cards can be used in one system for a total of 256 high-voltage differential inputs.

Specifications

Connector: DB37 male, mates with P1*; screw terminals for signal inputs

Voltage Input Ranges: ±10V, ±50V, ±100V; selection by jumper for each channel

Input Impedance: 10M Ohm

Attenuation:

10V	$V_{out}=V_{in}/2$	(Bandwidth=579 Hz)
50V	$V_{out}=V_{in}/10$	(Bandwidth=1608 Hz)
100V	$V_{out}=V_{in}/20$	(Bandwidth=3047 Hz)

Attenuation Accuracy: 0.5%

Offset Voltage

Typ: 0.5 mV
Max: 2.0 mV

Offset Drift

Typ: 4 μV/°C
Max: 10 μV/°C

Power Consumption: 455 mW

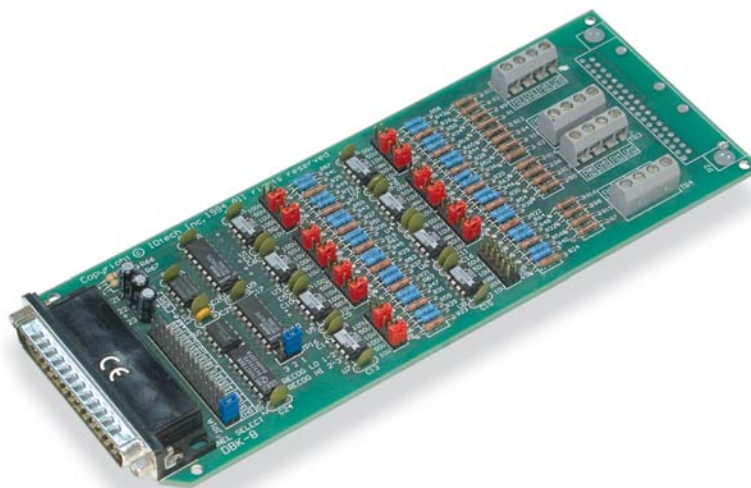
Ordering Information

Description
8-channel high-voltage input card

Part No.
DBK8

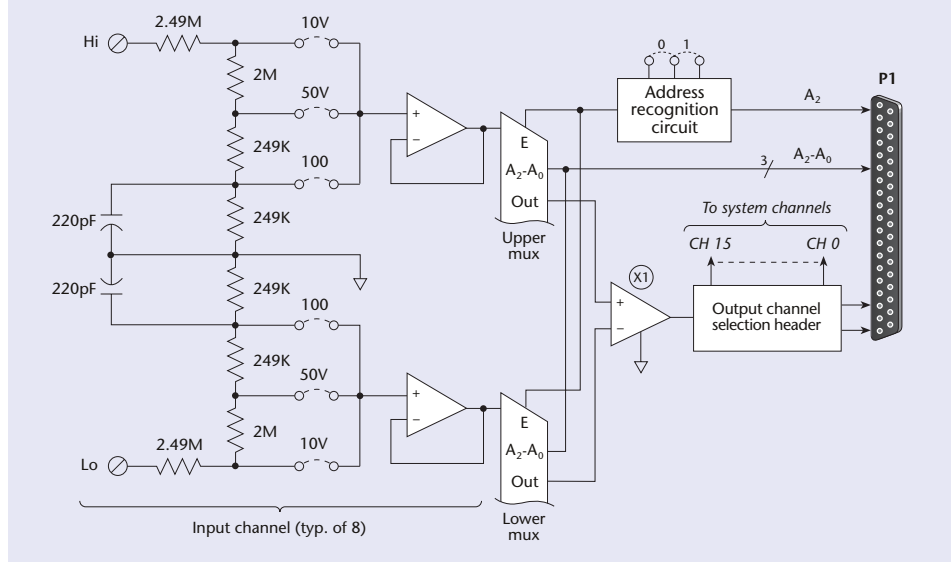
Cables

For use with DBK10, use CA-37-x ribbon cable, or contact factory of additional cabling options



The 8-channel DBK8 high-voltage input card provides three input ranges, which can be set on a per-channel basis

DBK8 High-Voltage Input Card Block Diagram



For use with DBK60 or LogBook360, no cable is required (except from DBK60 or LogBook/360 to the A/D mainframe)

For use with no enclosure, use CA-37-x where x is the number of DBK devices attached

For use with DaqLab series (internal slots), use CA-255-2T with one board, or CA-37-2 for use with two DBK cards (or contact factory for additional cabling options)

For complete information on accessories and cables, visit www.iotech.com/acc

Related Products

- LogBook
- DaqBook
- DaqLab
- DaqScan
- DBK10
- DBK41
- DBK50
- DBK60
- DaqBoard/2000 Series

* Attachment to the DaqBoard/2000 series requires a DBK200, DBK202, DBK203A, DBK209, DBK213, or DBK214