

TPC-650H

TPC-1250H

TPC-1550H

5.7" VGA / 12.1" SVGA / 15" XGA TFT LCD
Intel Atom Thin Client Computers



Features

- Intel Atom N270 1.6 GHz processor
- 5.7" VGA / 12.1" SVGA / 15" XGA TFT LCD
- Fanless cooling system
- NEMA4/IP65 compliant front panel
- Supports Microsoft Windows XP/Pe/CE
- Windows CE 5.0/6.0 with JavaScript ready
- Supports Linux OS with Firefox and JavaScript plugins
- Gigabit Ethernet supported
- Energy Star approval

Introduction

With a high quality TPC product line, TPC extends its Touch Panel Computer family with Intel Atom platform for 5.7", 12.1" and 15". TPC thin client is designed with Intel Atom 1.6 GHz processor as its core. The Intel Atom has low power consumption and 1.6 GHz operating frequency. This system is fanless, slim design for Web-based terminal solutions, so JavaScript is included in the Windows operating system. For Linux systems, we provide Mozilla Firefox.

Specifications

General

BIOS	Award 4MB
Certifications	BSMI, CCC, CE, FCC Class A, UL
Cooling System	Fanless design
Dimensions (W x H x D)	TPC-650H: 195 x 148 x 58 mm (7.68" x 5.83" x 2.28") 1250H: 311 x 237 x 54 mm (12.24" x 9.33" x 2.12") 1550H: 383 x 307 x 58.1 mm (15.08" x 12.09" x 2.29")
Enclosure	TPC-650H Front bezel: PC+ABS 1250H/1550H Front bezel: Die-cast Aluminum alloy Backhousing: SECC
Mounting	Desktop, V&H or Panel Mount
OS Support	Windows XP/Pe Windows CE 5.0/6.0 with JavaScript Linux with Firefox explorer and JavaScript plugin
Power Consumption	17 W / 35 W / 40 W (typical)
Power Input	18 ~ 28 V _{dc}
Watchdog Timer	1 ~ 255 sec (system)
Weight (Net)	1.43 kg (3.15 lb) / 2.5 kg (5.51 lb) / 3 kg (5.51 lb)

System Hardware

CPU	Intel Atom N270 1.6 GHz
Chipset	Intel 945GSE+CH7M
Memory	1GB SO-DIMM DDR2 533 SDRAM Up to 2GB (One channel)
LAN	10/100/1000 Base-T x 1
Storage	CompactFlash slot x 1
I/O	RS-232 x 2 (COM1, 2) USB 2.0 x 2 (Host) PS/2 x 1

LCD Display

Display Type	VGA / SVGA / XGA TFT LED LCD
Display Size	5.7" / 12.1" / 15"
Max. Resolution	640 x 480 / 800 x 600 / 1024 x 768
Max. Colors	262 K
Luminance cd/m ²	700 / 450 / 350
Viewing Angle (H/V)	160°/140°
Backlight Life	50,000 hrs
Contrast Ratio	700 : 1

Touchscreen

Lifespan	10 million touches at single point
Light Transmissi on	Above 75%
Resolution	Linearity
Type	5-wire, analog resistive

Environment

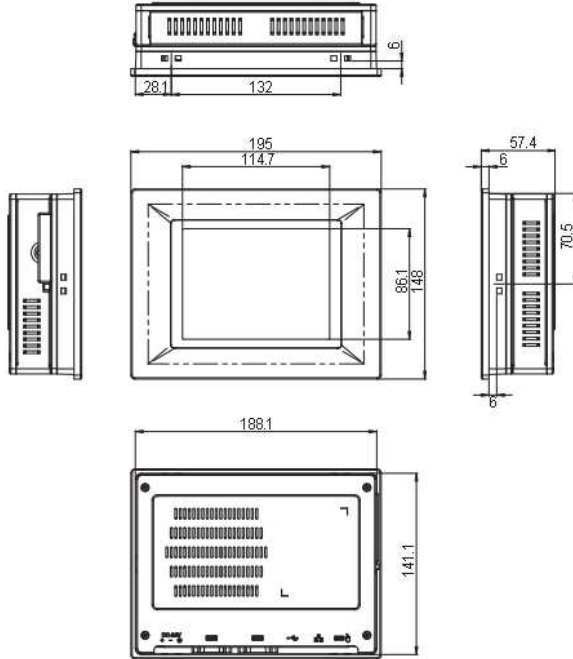
Humidity	10 ~ 95% RH @ 40 °C, non-condensing
Ingress Protection	Front panel: NEMA4, IP65
Operating Temperature	0 ~ 45 °C (32 ~ 113 °F)
Storage Temperature	-20 ~ 60 °C (-4 ~ 140 °F)
Vibration Protection	2 Gms (5 ~ 500 Hz) (Operating, random vibration)

TPC-650H/ 1250H/ 1550H

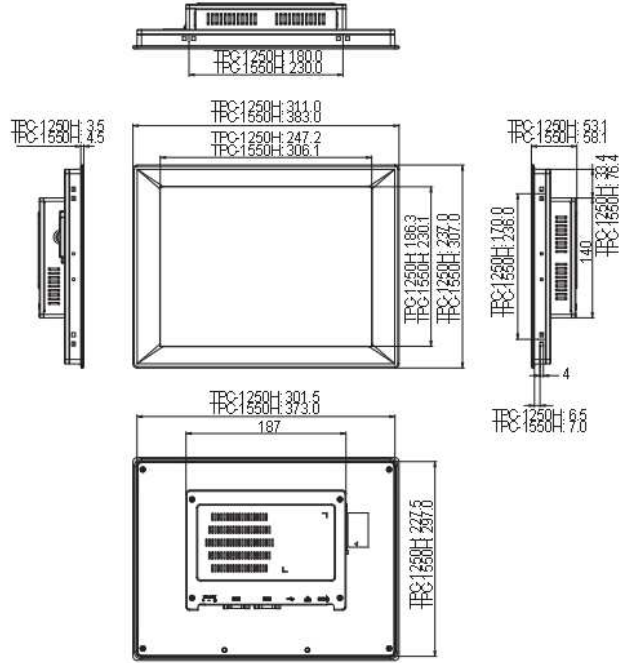
Dimensions

Unit: mm

TPC-650H



TPC-1250H/1550H



Panel Out-out Dimensions: TPC-650H: 189.1 x 142.1 mm
 TPC-1250H: 302.5 x 228.5 mm
 TPC-1550H: 374.5 x 298.5 mm

Ordering Information

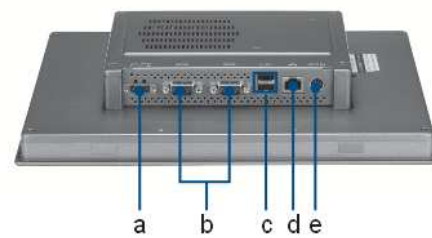
TPC-650H-N2AE	5.7" VGA Touch Panel PC, Atom N270 1.6GHz, 1GB
TPC-1250H-N2AE	12.1" SVGA Touch Panel PC, Atom N270 1.6GHz, 1GB
TPC-1550H-N2AE	15" XGA Touch Panel PC, Atom N270 1.6GHz, 1GB

Accessories

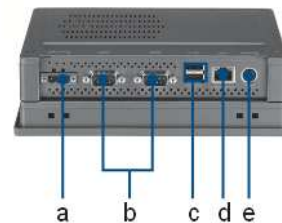
TPC-1570H-SMIKE	TPC-1550H Desktop Stand
TPC-1250H-SMIKE	TPC-1250H Desktop Stand
TPC-1570H-WMIKE	TPC-1550H Wall mount Kit
TPC-1250H-WMIKE	TPC-1250H Wall mount Kit
PWR-247-AE	24 V/50 W AC-DC Power Adapter
1702002600	Power Cord 3P UL/CSA(USA) 125V 10A 1.83M

Rear View

TPC-1250H/1550H



TPC-650H



a. Power Receptor
 b. COM (RS232 x2)
 c. USB 2.0
 d. LAN (10/100/1000)
 e. PS/2

TPC-650H TPC-1250H TPC-1550H TPC-1750H

5.7" VGA/12.1" SVGA/15" XGA/17" SXGA TFT LED LCD Intel® Atom™ Thin Client Terminals



Features

- Intel® Atom™ N270 1.6 GHz processor
- 5.7" VGA/12.1" SVGA/15" XGA/17" SXGA TFT LED LCD
- Fanless cooling system
- NEMA4/IP65 compliant front panel
- Supports Microsoft® Windows XP/XPe/CE
- Windows CE 5.0/6.0 with Java Script ready
- Supports Linux OS with Firefox and Java Script plugins
- Gigabit Ethernet supported
- Energy Star approved
- Supports external 2.5" SATA HDD kit

Introduction

With a high quality TPC product line, TPC extends its Touch Panel Computer family with Intel® Atom™ platform for 5.7", 12.1", 15" and 17". TPC thin client is designed with Intel® Atom™ 1.6 GHz processor as its core. The Intel® Atom™ has low power consumption and 1.6 GHz operating frequency. This system is fanless, slim design for Web-based terminal solutions, so JavaScript is included in the Windows operating system. For Linux systems, we provide Mozilla Firefox.

Specifications

General

- BIOS** Award® 4Mbit
- Certifications** BSMI, CCC, CE, FCC Class A, UL
- Cooling System** Fanless design
- Dimensions (W x H x D)** 650H: 195 x 148 x 58 mm (7.68" x 5.83" x 2.28")
1250H: 311 x 237 x 54 mm (12.24" x 9.33" x 2.12")
1550H: 383 x 307 x 58.1 mm (15.08" x 12.09" x 2.29")
1750H: 413.7 x 347.2 x 63.8 (16.28" x 13.68" x 2.5")
- Enclosure** TPC-650H Front bezel: PC/ABS Resin
TPC-1250H/1550H/1750H front bezel: Die-cast aluminum alloy
Back housing: SECC
- Mounting** Desktop, Wall (only for TPC-1250H/1550H/1750H) or Panel Mount
- OS Support** Microsoft® Windows® 7/XPE/WES
Windows CE 5.0/6.0 with Java Script
Linux with Firefox explorer and Java Script plugin
- Power Consumption** 17 W/35 W/40 W/43W (typical)
- Power Input** 18 ~ 28 V_{DC}, 18 ~ 32 V_{DC} (TPC-1750H only)
- Watchdog Timer** 1 ~ 255 sec (system)
- Weight (Net)** 1.43 kg (3.15 lb)/2.5 kg (5.51 lb)/3 kg (6.61 lb)/3.5 kg (7.71 lb)

System Hardware

- CPU** Intel® Atom™ N270 1.6 GHz
- Chipset** Intel® 945GSE+ICH7M
- Memory** 2GB SO-DIMM DDR2 667 SDRAM
1GB SO-DIMM DDR2 667 SDRAM (TPC-650H only)
- LAN** 10/100/1000Base-T x 2, (TPC-650H with One Giga LAN)
- Storage** CFast slot x 1
CompactFlash slot x 1 (TPC-650H only)
Optional, external 2.5" SATA HDD kit (TPC-1250H/1550H/1750H only)

I/O

TPC-650H: RS-232 x 2 (COM1, 2)
TPC-1250H/1550H/1750H: RS-232 x1,
RS-232/422/485 x 1
USB 2.0 x 2 (Host)
PS/2 x 1 (TPC-650H only)

LCD Display

- Display Type** VGA/SVGA/XGA/SXGA TFT LED LCD
- Display Size** 5.7"/12.1"/15"/17"
- Max. Resolution** 640 x 480/800 x 600/1024 x 768/1280 x 1024
- Max. Colors** 262 K
- Luminance cd/m²** 700/450/350/350
- Viewing Angle (H/V°)** 160/140; 170/160 (TPC-1750H only)
- Backlight Life** 50,000 hrs
- Contrast Ratio** 800:1/700:1/700:1/1000:1

Touchscreen

- Lifespan** 10 million touches at single point
- Light Transmission** Above 75%
- Resolution** Linearity
- Type** 5-wire, analog resistive

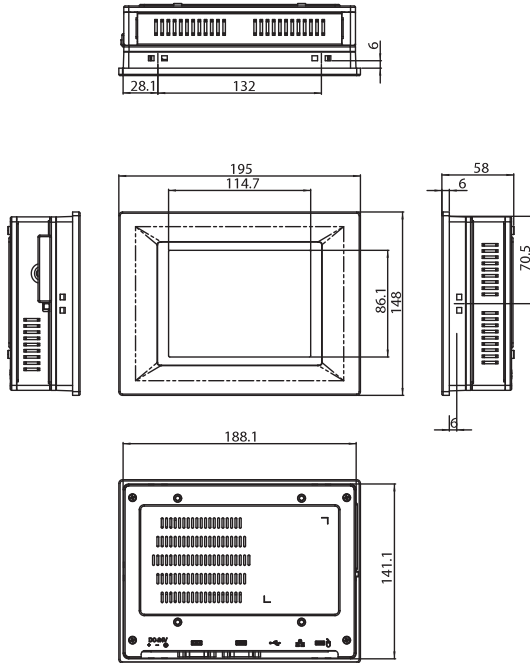
Environment

- Humidity** 10 ~ 95% RH @ 40°C, non-condensing
- Ingress Protection** Front panel: NEMA4, IP65
- Operating Temperature** 0 ~ 45°C (32 ~ 113°F)
- Storage Temperature** -20 ~ 60°C (-4 ~ 140°F)
- Vibration Protection** 2 Grms (5 ~ 500 Hz)
(Operating, random vibration)

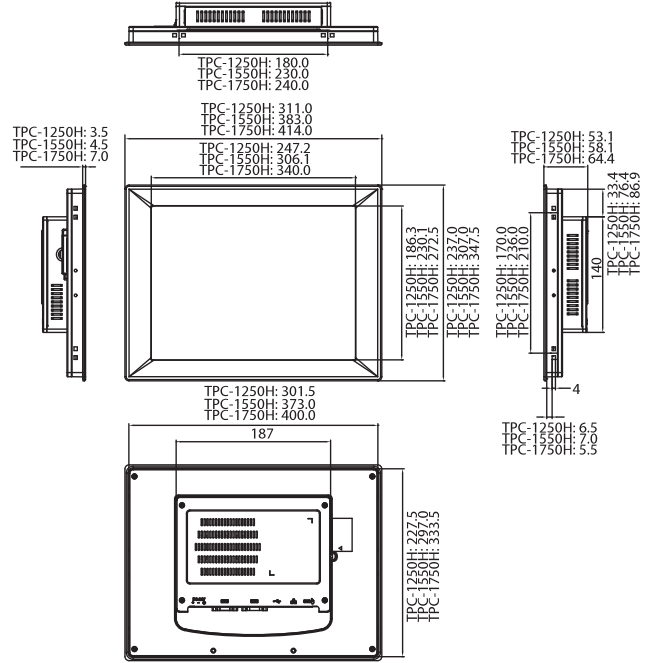
TPC-650H/1250H/1550H/1750H

Dimensions

TPC-650H



TPC-1250H/1550H/1750H



Unit: mm

Panel Cut-out Dimensions: TPC-650H: 189.1 x 142.1 mm (7.56" x 5.68")
 TPC-1250H: 302.5 x 228.5 mm (12.1" x 9.14")
 TPC-1550H: 374.5 x 298.5 mm (14.98" x 11.94")
 TPC-1750H: 400.8 x 334.3 mm (16.03" x 13.37")

Ordering Information

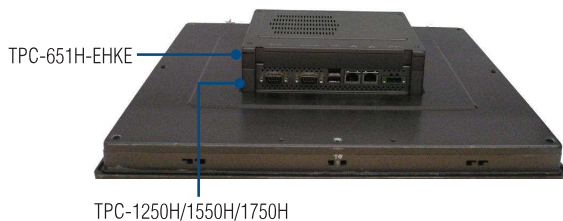
- TPC-650H-N2AE 5.7" VGA Touch Panel PC, Atom™ N270 1.6GHz, 1GB
- TPC-1250H-N2BE 12.1" SVGA Touch Panel PC, Atom™ N270 1.6GHz, 2GB
- TPC-1550H-N2BE 15" XGA Touch Panel PC, Atom™ N270 1.6GHz, 2GB
- TPC-1750H-N2BE 17" SXGA, Touch Panel PC, Atom™ N270 1.6GHz, 2GB

Accessories

- TPC-1000H-WMKE TPC series wallmount kit from 10" to 17"
- TPC-1000H-SMKE TPC series stand kit from 10" to 17"
- TPC-651H-EHKE TPC-651H/1251H/1551H Extension HDD Kit
- PWR-247-AE 24 V 50 W AC-DC Power Adapter
- 1702002600 Power Cord 3P UL/CSA(USA) 125V 10A 1.83M

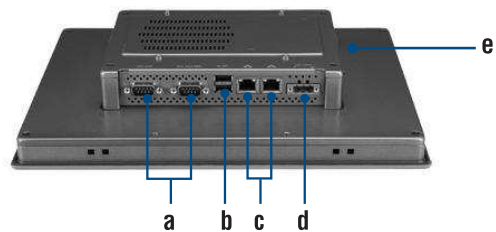
* VESA support via a wall mounting kit (only for TPC-1250H/1550H/1750H)

Rear view with external HDD enclosure



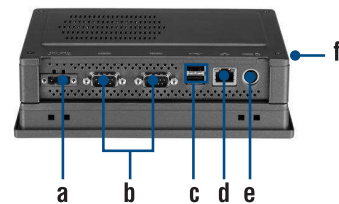
Rear View

TPC-1250H/1550H/1750H



- a. COM (RS-232, RS-422/485)
- b. USB 2.0
- c. LAN (10/100/1000)
- d. Power Receptor
- e. CFast

TPC-650H



- a. Power Receptor
- b. COM (RS232 x 2)
- c. USB 2.0
- d. LAN (10/100/1000)
- e. PS/2
- f. CompactFlash