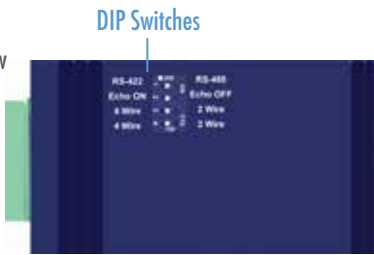


Product Overview

Front View



Back View



2 Set DIP Switches

OFF=left

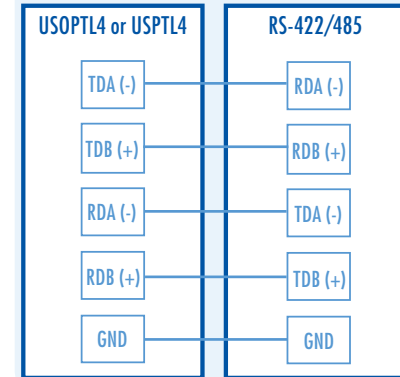
ON=right

DIP Switch Position		
Switch	OFF	ON
1	TD always enabled (TD 422)	TD only enabled during data transmission (TD 485)
2	RD always enabled (ECHO ON)	RD disabled during data transmission (ECHO OFF)
3	4-wire mode (4-Wire)	2-wire mode (2-Wire)
4	4-wire mode (4-Wire)	2-wire mode (2-Wire)

4-Wire RS-422/485

- RS-422 = All DIP Switches off
- RS-485 = DIP 1 ON, DIP 2, 3 and 4 OFF

4 Wire Set-up



1 Install Drivers

Use the included CD to install the converter's drivers.

Warning: To prevent installation errors, do not plug in the hardware until you have already installed the drivers.

Vista users should use an account with administrative rights to load the drivers.

After connecting the device you can check Device Manager to learn which Com port number was assigned (Control Panel/System/Hardware/Device Manager/Ports LPT & COM).

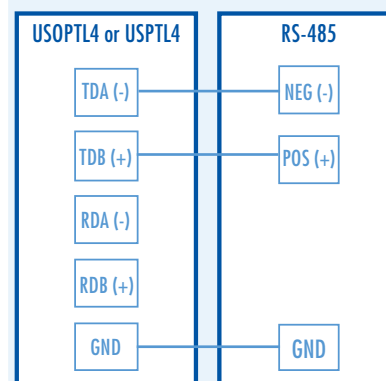
You can re-assign COM numbers by clicking the Advanced Settings button on the Port Settings screen.

3 Wire the Converter

2-Wire RS-485

- All DIP Switches = ON

2 Wire Set-up



4 Loopback Test

- Set DIP switches 1, 3, 4 to ON.
- Set DIP switch 2 to OFF.
- Use HyperTerminal or another terminal program to confirm passage of data through converter.

5 Check LEDs

When everything is installed and connected the LEDs will blink to let you know that data traffic is passing through the converter

Troubleshooting

What baud rates can be used?

Baud rates up to 921 Kbps.

What operating systems are supported?

Windows 2000, XP, Vista 32/64 bit, Win 7 32/64 bit.

Which USB cables can I use?

A one meter (3ft) cable is included. Other lengths can be purchased separately. The maximum range for USB is 15 ft. We sell USB extenders if you need to go further than 15 ft.

Can I get another terminal block for the USOPTL4?

Yes. The part number is TBKT2.

How can I test the USOPTL4 to make sure it is working correctly?

A quick way to test is to set the dipswitches to 485, Echo ON, 2 wire, 2 wire. Then use HyperTerminal to do the loopback. Visit our technical library for instructions and screen shots.

Recommended Accessories

USB Extender

GUCE51



4-Port Powered USB Hub

UHR304



Fast, Easy Answers

- First, check step 5.
- Then use your smart phone to access complete documentation on our web site. Simply scan the code to the right.



1-888-948-2248 | Europe: +353 91 792444

www.bb-smartworx.com

707 Dayton Road | PO Box 1040 | Ottawa, IL 61350
Phone: 815-433-5100 | Fax: 815-433-5109
www.bb-smartworx.com | E-mail: info@bb-smartworx.com

© 2015 B+B SmartWorx Incorporated



USOPTL4 & USPTL4
Isolated Non-Isolated
USB to RS-422/485 Converters

✓ First Things First...

Before you begin, be sure you have the following:

- USOPTL4 or USPTL4
- One Meter USB Cable
- CD ROM with Drivers



Fast and easy on the web: www.bb-smartworx.com