

RS-232 Port Combiner

232PTC9

B+B SMARTWORX

Powered by

ADVANTECH

www.advantech-bb.com



PRODUCT FEATURES

- Two RS-232 devices can share a PC RS-232 port
- Cascade combiners to connect many devices
- Automatic or software PC access control
- Quick, easy installation – may be left in place

Monitor and control multiple scales, scanners, terminals or other serial devices with a single PC. Economizes systems by connecting a PC port to several data sources – ideal for devices requiring only intermittent access. The first device to send captures the data path, locking out other lines.

Data flow may also be software controlled using the RTS line. Data from the host PC is sent to all attached devices. Port combiners can be cascaded by connecting the master port of each successive unit to one of the slave ports of the preceding unit. Each additional port combiner adds one slave port to the system. Model 232PTC9 requires external 12 VDC @ 100 mA power (sold separately).

ORDERING INFORMATION

MODEL NUMBER	HOST PC PORT
232PTC9	RS-232 Port Combiner

ACCESSORIES

SM16-12-V-P230-C1 - Power Supply, 12 VDC 6 Watt, 2.5MM Plug, International AC Input, International AC Blades

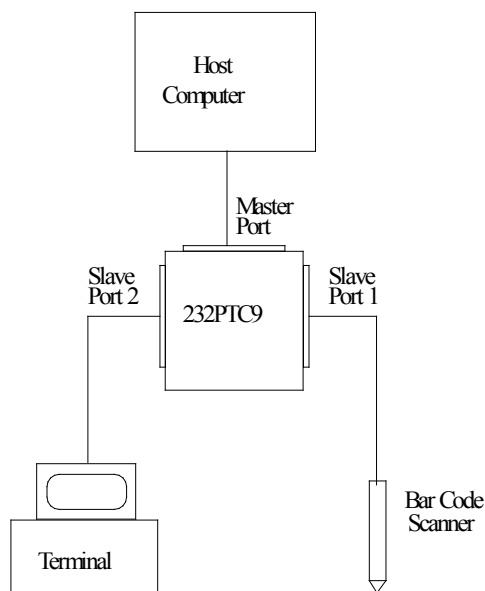
9PAMF6 - DB9 Male To DB9 Female, 6 ft. (1.8 m)

9SGM - DB9 Gender Reverser – Changes Female Port to Male (M to M)

SPECIFICATIONS

SERIAL TECHNOLOGY	
RS-232	
Connectors	Host PC Port: (1) DB9 Female Peripheral Ports: (2) DB9 Female
Signals	TD, RD, RTS (slave to master only) CTS indicates open channel (slave only)
Configuration	DCE
Installation	In-line
MECHANICAL	
Dimensions	10.19 x 5.08 x 2.29 cm (4.01 x 2.00 x 0.9 in)
Weight	0.26 lbs (117.9 g)
POWER	
Input Required	12 VDC
SM16-12-V-P230-C1	Power Supply sold separately
ENVIRONMENTAL	
Operating Temperature	0 to +50 °C (+32 to +122 °F)
Storage Temperature	-40 to +85 °C (-40 to +185 °F)
Operating Humidity	0 to 95% Non-Condensing
MTBF	938745
MTBF Calc. Method	MIL117F Parts Count Reliability Prediction

APPLICATION EXAMPLE



All product specifications are subject to change without notice.

232PTC9_2916ds

B+B SMARTWORX

Powered by

ADVANTECH

orders@advantech-bb.com
support@advantech-bb.com

Corporate Headquarters: 707 Dayton Road, PO Box 1040 Ottawa, IL 61350 USA 815-433-5100 Fax 433-5104
European Office: Westlink Commercial Park, Oranmore Co. Galway Ireland +353 91 792444 Fax +353 91 792445