

# Industrial RS-232 Isolated Repeater

## 2320PDRI

B+B SMARTWORX

Powered by

ADVANTECH

www.advantech-bb.com



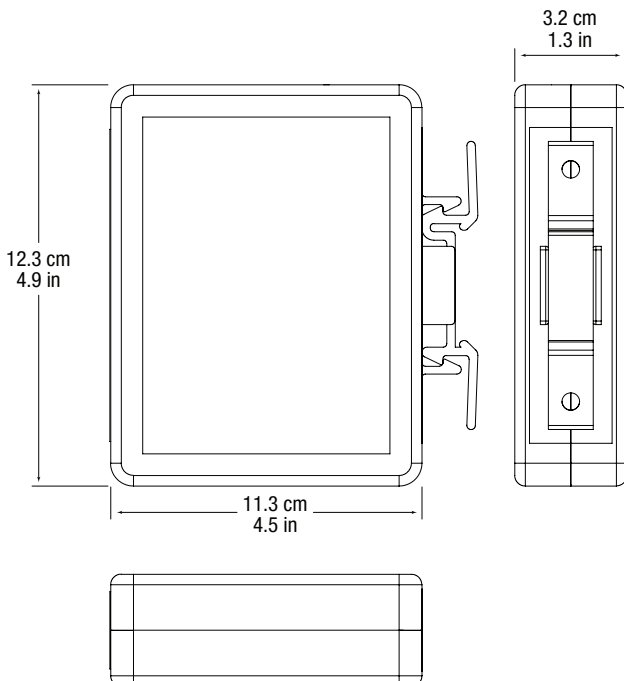
### PRODUCT FEATURES

- Supports Data Rates up to 115.2 Kbps
- Wide -40 to 80°C Temperature Range
- 10 to 48 VDC Input Power Range
- 2000 V 3-Way Optical Isolation
- UL Class 1 Division 2 Listed

The 2320PDRI is our premium Industrial RS-232 Isolated Repeater. Designed for rugged industrial environments, it is UL listed and certified for use in Class 1 Division 2 locations. Powerful Optical Isolation on both data ports protects your equipment and data from damaging ground loops and surges. Additional isolation on the power supply circuits adds a third degree of protection.

Packaged in a rugged plastic case, the 2320PDRI operates in wide temperature extremes. With a 35mm DIN rail mounting bracket, it is easy to integrate into a control panel or other industrial equipment.

Installation and configuration is easy. Data is connected with a DB9 female connector (DCE) and a DB9 male connector (DTE). Power is connected through terminal block that accepts 10 to 48 VDC from any external source.



### ORDERING INFORMATION

MODEL NUMBER	DESCRIPTION
2320PDRI	Industrial RS-232 Isolated Repeater

### ACCESSORIES

MDR-20-24 - DIN rail mount power supply 24VDC, 1.0 A output power

MDR-40-24 - DIN rail mount power supply 24VDC, 1.7 A output power

DRPM25 - 35mm DIN Rail to Panel Mount Bracket, 25mm wide

EK-CLIP-MPC - DIN rail clip for enclosure

### SPECIFICATIONS

SERIAL TECHNOLOGY	
Serial Connector	DB9 F (DCE), DB9 M (DTE)
Data Rate	Up to 115.2 Kbps
Isolation	2 KV RMS, 1 minute
POWER	
Source	External
Power Connector	2 Position Removable Terminal Block
Input Voltage	10 to 48 VDC (56 VDC Maximum)
Power Consumption	0.6 W typical
TERMINAL BLOCKS	
Wire Size Accepted	28 to 12 AWG, Copper wire only.
Pitch	5.08 mm
Insulation Resistance	≥500 MΩ @ 500 VDC
Maximum Torque	5 Kg / cm
INDICATORS	
Power	Red LED
TD / RD	Red LED TD, RD, CTS, RTS
MECHANICAL	
Dimensions	12.3 x 11.3 x 3.2 cm (4.9 x 4.5 x 1.3 in)
Enclosure	IP 30 Plastic, 35 mm DIN Mount
Weight	0.43 lbs (195 g)
MTBF	177250 Hours
MTBF Calc. Method	Parts Count Reliability Prediction
ENVIRONMENTAL	
Operating Temperature	-40 to 80°C (-40 to 176°F)
Storage Temperature	-40 to 85°C (-40 to 185°F)
Operating Humidity	0 to 95% Non-condensing
REGULATORY	
Approvals	FCC, CE UL C1 D2, File Number E245458 UL 508, File Number E222870

All product specifications are subject to change without notice.  
2320PDRI\_0416ds

ADVANTECH

B+B  
SMARTWORX

orders@advantech-bb.com  
support@advantech-bb.com

Corporate Headquarters: 707 Dayton Road, PO Box 1040 Ottawa, IL 61350 USA 815-433-5100 Fax 433-5104  
European Office: Westlink Commercial Park, Oranmore Co. Galway Ireland +353 91 792444 Fax +353 91 792445