

ARK-DS220

OPS ION2-based Digital Signage Platform

Preliminary



Features

- Integrated NVIDIA GT218 (ION2) graphic module for Full HD playback
- Designed compliant with OPS (Open Pluggable Standard)
- Embedded Intel® Atom™ D525 dual-core (fan-based) or Intel® Atom™ N455 single-core processor (fanless)
- Supports HDMI, DP, UART, and USB2.0 via JAE 80-pin connector
- Slot-in integration, easy maintenance

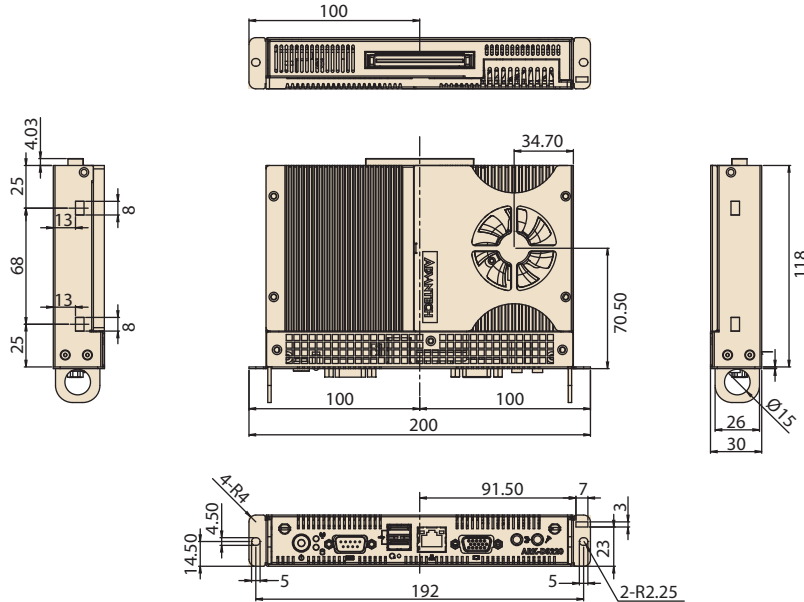


Specifications

Processor System	CPU	Intel Atom D525 1.8 GHz, Intel Atom N455 1.66 GHz
	System Chipset	Intel Atom D525/N455 + ICH8M
	L2 Cache	1 MB/512 KB (Depends on CPU Type)
	BIOS	AMI 16 MB SPI BIOS
	Front Side Bus	800 MHz/667 MHz
Memory	Technology	1 x DDR3 204-pin DIMM
	Max. Capacity	Max. up to 4GB (w/ D525); or 2GB (w/ N455)
Display	Chipset	NVIDIA GT218
	Memory Size	Independent display memory 512 MB
	Resolution (Chipset support)	HDMI/DP: up to 1920 x 1080 (via OPS interconnection)
	Output	VGA x 1
Storage	SATA	2.5" SATA HDD and SSD
Ethernet	Interface	Gigabit LAN Controller
	Controller	Intel 82567V for LAN
	Connector	1 x RJ-45
I/O Interface	HDMI	1 (via OPS interconnection)
	Display Port	1 (via OPS interconnection)
	VGA	1 (D-sub 15-pin)
	LAN	1 (RJ-45)
	USB	2 (USB 2.0 compliant)
	Audio	2 audio phone jacks for Mic-in, Line-out
	Serial	1 x COM (RS-232)
	Mini-PCIe (Internal)	1
Power Requirement	Management	ACPI 2.0
	Power Consumption Input	Average 18W, Maximum 30W
	Voltage	12 V ~ 19 V DC-in (via OPS interconnection)
Watchdog Timer	Output	Interrupt, system reset
	Interval	255-level timer interval, setup by software
Physical Characteristics	Dimensions (W x H x D)	200 x 118 x 30 mm (OPS compliant)
	Weight	1.5 kg (3.3lb)
Environment	Temperature	0 ~ 40 °C (operating) Extended temp support available via SSD
	Relative Humidity	95% @ 40° C (non-condensing), operating
	Vibration Resistance	TBD
Software Development Kit	Operating System	Supports Microsoft Windows 7, XP with SP3, XP Embedded, Linux
	EWf & WDT SDK	EWf and WDT library for signage stability design in XPE
	Linux	Linux Fedora 14
Certification	Electromagnetic	CE, FCC
	Safety	CCC, BSMI

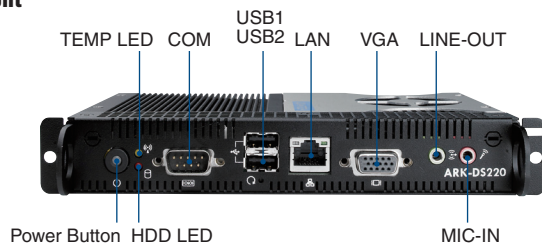
Dimensions

Unit: mm (inch)

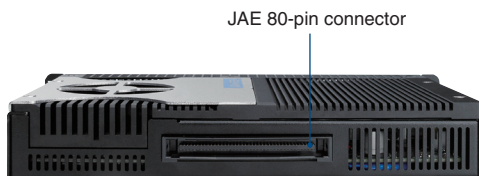


Intel Atom D525 dual-core process (fan-based)

Front



Rear



Ordering Information

Part Number	Description
ARK-DS220F-D6A1E	ARK-DS220, D525+GT218,2G RAM,160G HDD (Fan-based)
ARK-DS220F-N5A1E	ARK-DS220, N455+GT218,2G RAM,160G HDD (Fanless)
ARK-DS220B-D6A1E	ARK-DS220, D525+GT218 (barebone kits)
ARK-DS220B-N5A1E	ARK-DS220,N455+GT218 (barebone kits)

Fanless Option with Intel Atom N455 Single-core CPU

